

# Front License Plate and Mounting Bracket Installation

Service  
Category General

Section Pre-Delivery Service

Market USA

Lexus Supports  
ASE Certification 

## Applicability

YEAR(S)	MODEL(S)	ADDITIONAL INFORMATION
2015	NX200T, NX300H	

## Introduction

The front license plate mounting bracket and 2 self-tapping screws for the 2015 model year NX 200t/300h are stored in the rear cargo area of the vehicle. Install the license plate and mounting bracket during Pre-Delivery Service (PDS).

## Warranty Information

OP CODE	DESCRIPTION	TIME	OFF	T1	T2
N/A	Not Applicable to Warranty	-	-	-	-

## Front License Plate and Mounting Bracket Installation

### Installation Procedure

1. Install Mounting Bracket.

- A. Align holes "A" of the mounting bracket with the dimples on the radiator lower grille.

**HINT**

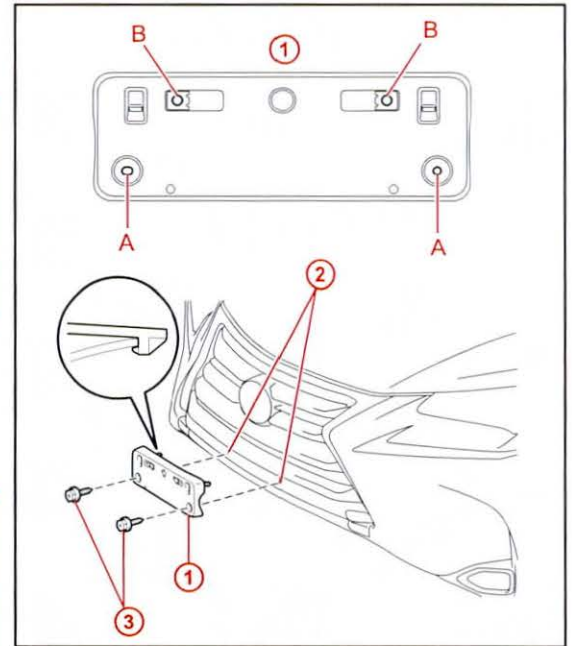
- Holes "A" are used to install the mounting bracket to the bumper cover.
- Holes "B" are used to install the front license plate to the mounting bracket.

- B. Engage the two clips and screw the two supplied self-tapping screws directly into the dimples to install the front license plate mounting bracket.

**NOTICE**

- Do NOT pre-drill holes into the dimples on the front bumper cover.
- Do NOT over-tighten the self-tapping screws.

Figure 1.



1	Mounting Bracket
2	Dimples
3	Self-tapping Screws

## Front License Plate and Mounting Bracket Installation

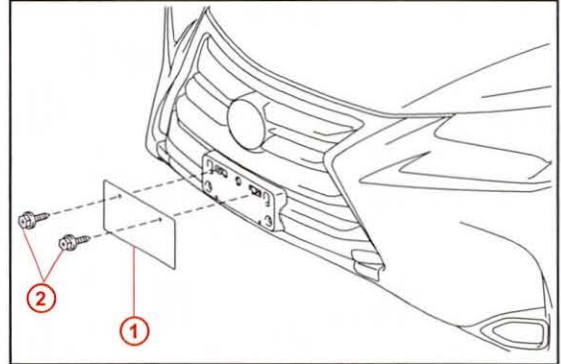
### Installation Procedure (Continued)

2. Install the front license plate to the mounting bracket using 2 non-corroding bolts with the following dimensions:

**Nominal Length: 15.0 mm (0.59 in.)**

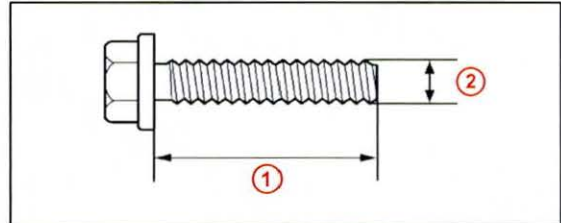
**Diameter: 6.0 mm (0.24 in.)**

Figure 2.



1	Front License Plate
2	Bolts

Figure 3.



1	Nominal Length
2	Diameter