



Date	Group	No.	Release	Page
10.2015	<b>655</b>	<b>862</b>	<b>01</b>	1(11)

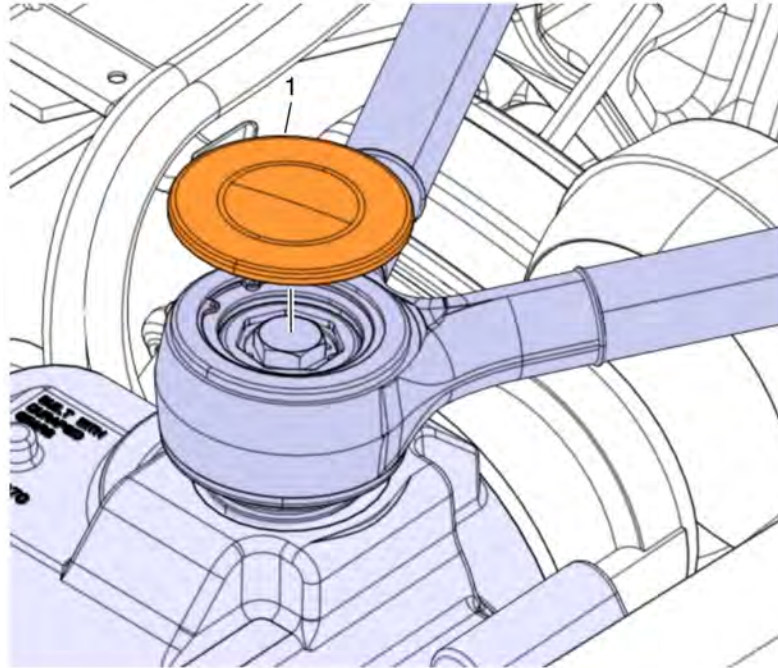
## V-Stay Rod Cover, Replacement GU, LEU, MRU

### PI0862, V-Stay Rod Cover, Replacement

(October 2015)

Some MACK GU, MRU, LEU trucks built from 03/19/2012 to 08/30/2015 and equipped with mRide suspensions may inadvertently lose the v-stay rod cover (part number 21896762) from the v-stay rod. The replacement v-stay rod cover will be installed and secured with a tack weld in two places (180 degrees apart). To secure a v-stay rod cap that is still in position, two tack welds (180 degrees apart) will be applied. Follow the repair procedure outlined in this Product Improvement (PI).

**Note:** This bulletin does not apply to MACK Trucks Australia.



W6106240

## Required Parts

V-Stay Rod Cover, Replacement			
Item #	Description	Part Number	Qty
1	V-Stay Rod Cover	21896762	1 (Per Axle)

## Decommissioning the Truck for Inspection or Repair

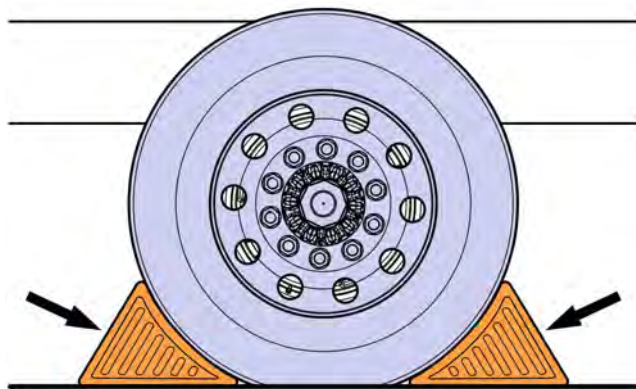
You must read and understand the precautions and guidelines in Service Information, group 60, "General Safety Practices, Steering, Front Axle and Suspension" before performing this procedure. If you are not properly trained and certified in this procedure, ask your supervisor for training before you perform it.

### **DANGER**

Do not attempt to repair or service this vehicle without having sufficient training, the correct service literature and the proper tools. Failure to follow this could make the vehicle unsafe and lead to serious personal injury or death.

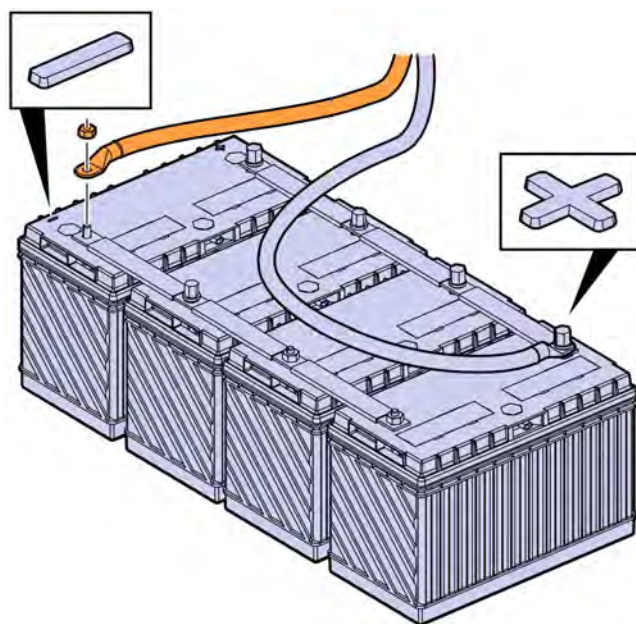
- 1 Park the vehicle on a level surface.
- 2 Apply the parking brake.
- 3 Place the transmission in neutral or park.

4 Install the wheel chocks.



W7086748

5 Disconnect the cable from the battery's negative terminal.



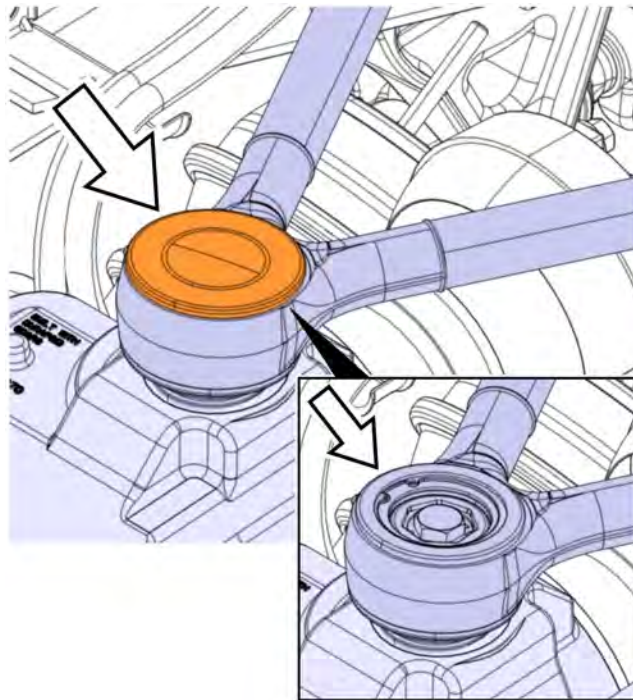
W3086747

## V-Stay Rod Cover, Cleaning and Inspection

- 1 Thoroughly clean and remove any grease from the v-stay rod pivot joint.
- 2 Inspect the v-stay pivot joint to ensure the v-stay rod cap is still in position and has not inadvertently fallen off the v-stay rod.

**Note:** If the v-stay rod cap is still in position, proceed to **(V-Stay Rod Cover, Tack Weld Existing Cover Only, Per Axle)** section, and tack weld the v-stay rod cap in 2 places (180 degrees apart).

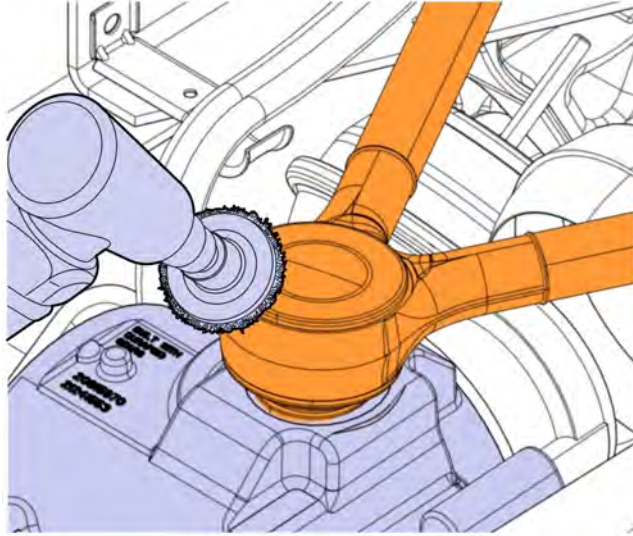
**Note:** If the v-stay rod cap is missing, proceed to **(V-Stay Rod Cover, Replacement, Per Axle)** section, install and tack weld a new v-stay rod cap in 2 places (180 degrees apart).



W6106241

## V-Stay Rod Cover, Tack Weld Existing Cover Only, Per Axle

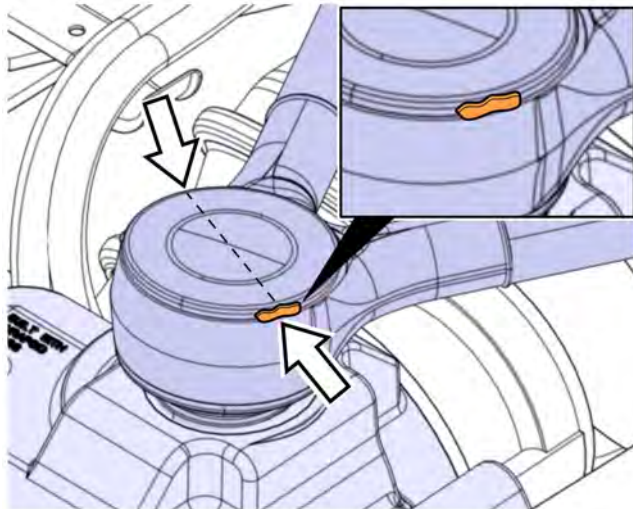
- 1 Prep the v-stay rod cover and v-stay rod for tack welding by removing any paint from the weld mating areas.



W6106244

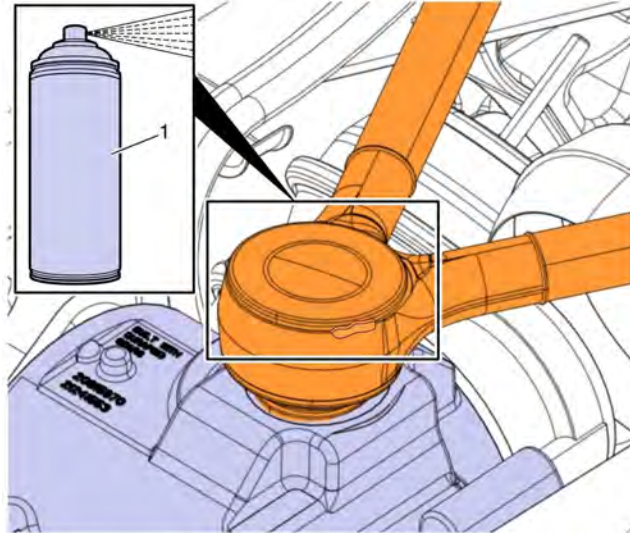
- 2 Using safe welding practices, tack weld the v-stay rod cover in two places (180° apart). After the tack welds are complete, remove any welding slag.

**Note:** For Safe Welding Practices, refer to Service Bulletin (SB) PV776-88944824 (FG 300-03).



W6106245

- 3 Using suitable methods, prep and paint (1) the tack welds to prevent any rusting of the v-stay rod cover and v-stay rod.
- 4 Proceed to **Commissioning the Truck for Operation**.

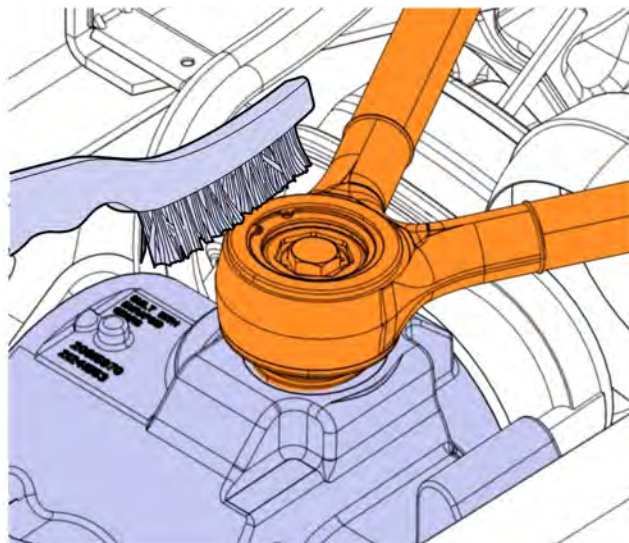


W6106246

### V-Stay Rod Cover, Replacement, Per Axle

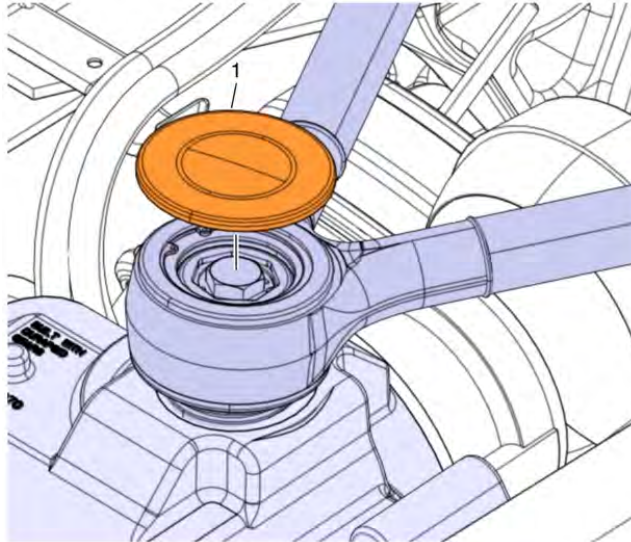
- 1 Clean the mating surfaces of the V-Stay rod pivot joint, cover area, and ensure the center apex joint is clean and free of debris.

**Note:** After cleaning, inspect the apex joint for any excessive damage or play. If excessive wear is discovered in the v-stay rod apex joint, a pivot joint overhaul may be required.



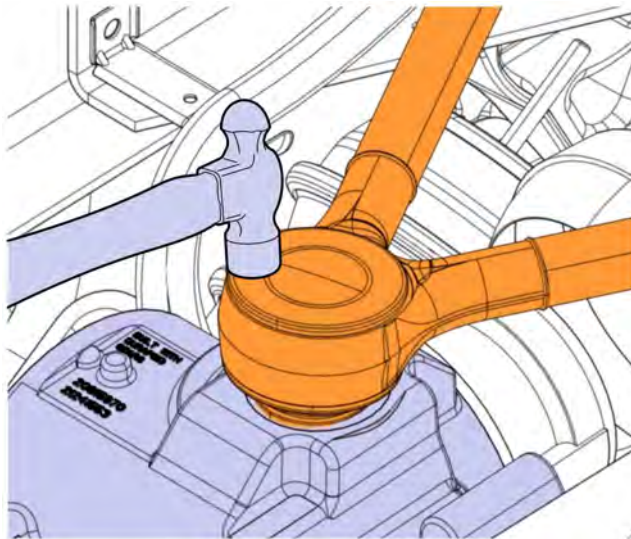
W6106242

- 2 Brush a liberal amount of lithium grease (XHP 222) onto all internal parts of the v-stay rod apex joint.
- 3 Position v-stay rod cover (1) onto the v-stay rod apex joint.



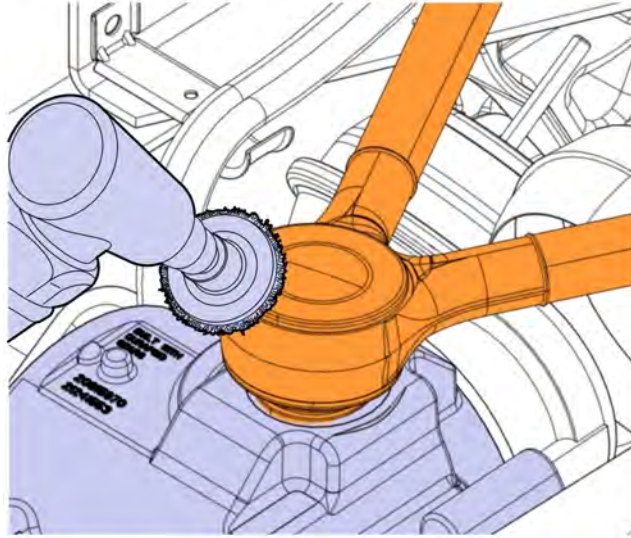
W6106240

- 4 Using a hammer, tap on v-stay rod cover until it seats.



W6106243

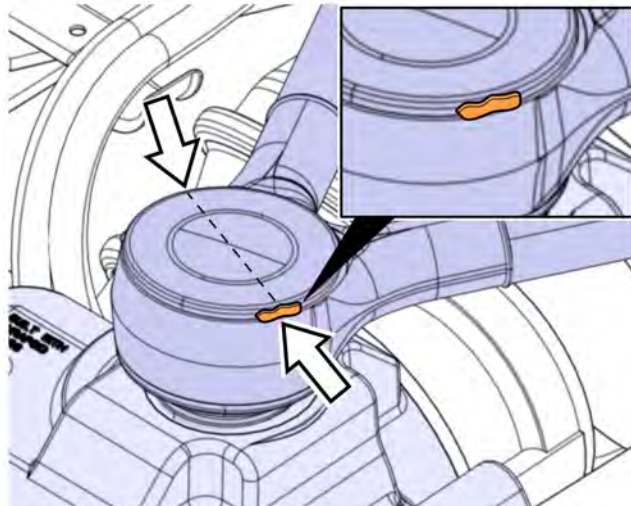
- 5 Prep the v-stay rod cover and v-stay rod for tack welding by removing any paint from the weld mating areas.



W6106244

- 6 Using safe welding practices, tack weld the v-stay rod cover in two places (180° apart). After the tack welds are complete, remove any welding slag.

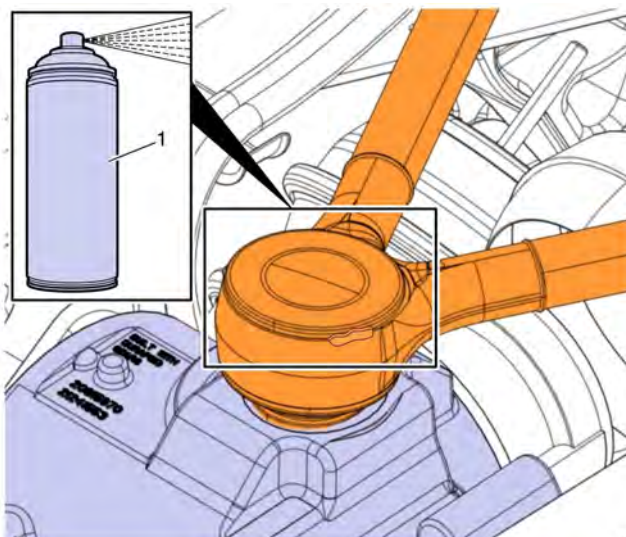
**Note:** For Safe Welding Practices, refer to Service Bulletin (SB) PV776–88944824 (FG 300–03).



W6106245



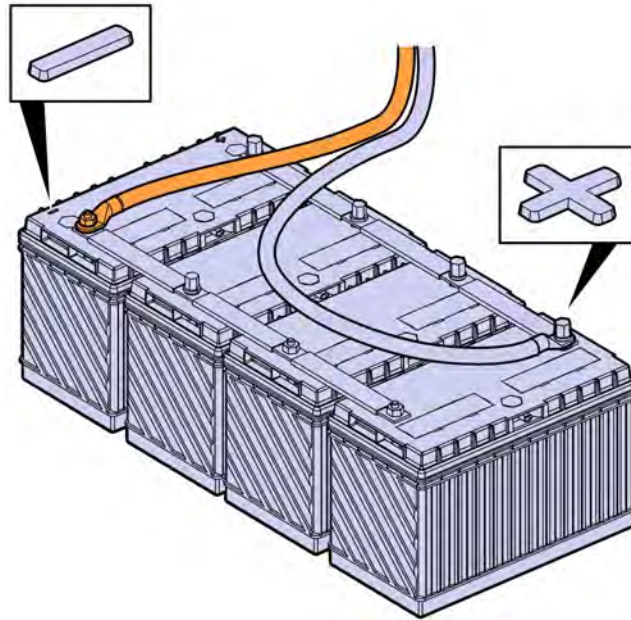
- 7 Using suitable methods, prep and paint (1) the tack welds to prevent any rusting of the v-stay rod cover and v-stay rod.



W6106246

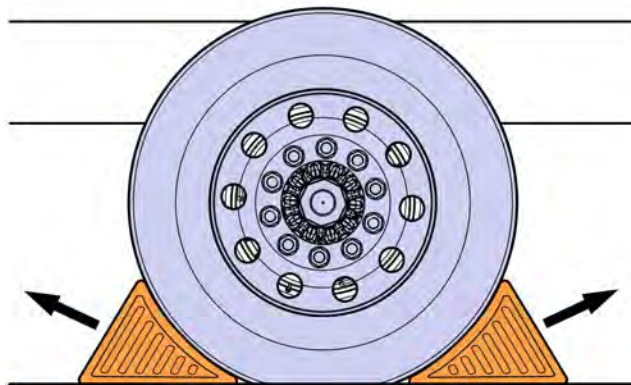
## Commissioning the Truck for Operation

- 1 Connect the cable to the battery's negative terminal.



W3086758

- 2 Remove the wheel chocks.



W7086759

**Reimbursement**

<b>This repair is covered by an authorized Service Program. Reimbursement is obtained through the normal claim handling process.</b>	<b>UCHP Reimbursement</b>	<b>eWarranty Reimbursement</b>
<b>Claim Type (used only when uploading from the Dealer Bus. Sys.)</b>	B	B
<b>Recall Status</b>		
Vehicle inspected, repair not required	1- Inspected OK	1- Inspected OK
Vehicle repaired per instruction	2- Modified per instruction	2- Modified per instruction
<b>Labor Code</b>		
Primary Labor Code (Clean and Inspect for Operation)	6000-06-09-02 0.3 hrs	1352K-01-96 0.3 hrs.
Labor Code (V-Stay Rod Cover, Replacement, First Axle)	6553-03-09-02 0.6 hrs	1352M-01-96 0.6 hrs.
Labor Code (V-Stay Rod Cover, Replacement, Additional Axle)	6553-03-09-04 0.4 hrs	1352N-01-96 0.4 hrs.
Labor Code (V-Stay Rod Cover, Tack Weld Existing Cover Only, First Axle)	6553-03-09-03 0.5 hrs	1352P-01-96 0.5 hrs.
Labor Code (V-Stay Rod Cover, Tack Weld Existing Cover Only, Additional Axle)	6553-03-09-05 0.2 hrs	1352O-01-96 0.2 hrs.
Time to take charge and determine campaign status	1700-16-01-01 0.3 hrs	101AA-0A-00 0.3 hrs
<b>Causal Part</b>	21896762	21896762
<b>SCC Code</b>	S6959	N/A
<b>Authorization Number</b>	N/A	PI0862
<b>Expiration Date</b>	01-OCT-2016	01-OCT-2016

**Note:** Take Charge Time is not included in the Labor Code for this operation. Take charge may be eligible but can only be used once per repair visit. If vehicle is having other warranty repairs performed, take charge should be charged to the warranty repair, otherwise take charge can be charged to this service program.