



# Assembly Instructions

## Enhanced Rearview Mirror

000 072 548 A  
000 072 548 B  
000 072 548 C  
000 072 548 D  
000 072 548 E

### Supplied in the kit:

- ◆ 1 x Enhanced Rearview Mirror
- ◆ 1 x Cover for mirror<sup>1)</sup>
- ◆ 1 x Mirror connecting cable<sup>2)</sup>
- ◆ 1 x Installation instructions

<sup>1)</sup> only included in kit 000 072 548 A, E

<sup>2)</sup> only included in kits 000 072 548 A, 000 072 548 C and 000 072 548 D, 000 072 548 E

### Procedure:

#### WARNING

Improper installation procedures can cause serious personal injury.

- Installation should be performed only by a qualified technician.
- Read all instructions and repair manuals thoroughly before starting the installation.
- Follow the instructions carefully.
- Observe all safety precautions when working under a vehicle.
- Beware of sharp edges to help prevent cuts.
- Always wear safety glasses to help protect eyes.
- Always wear protective gear as gloves and use caution when using hand tools.

#### WARNING

Using unsuitable or damaged sockets and connecting cables and disregarding accepted safety practices may cause short circuits, accidents, and serious or fatal personal injury.

- Never allow connectors to come into contact with moisture, water and other fluids.

#### Note

- ◆ *The installation of the original retrofitting Enhanced Rearview Mirror feature must be carried out by a competent workshop. Special tools and the accompanying literature specific to the car are required for proper installation and function. Incorrect installation may damage the vehicle.*
- ◆ *Secure the wires so that they cannot come into contact with any rotating or other moving parts and so that they cannot chafe against any sharp metal or plastic edges.*
- ◆ *All rights to make technical changes without notice are reserved.*

### Applies to: Vehicles with EC mirror:

- Replace the existing mirror with the Enhanced Rearview Mirror.
- ⇒ ELSA; repair group 68

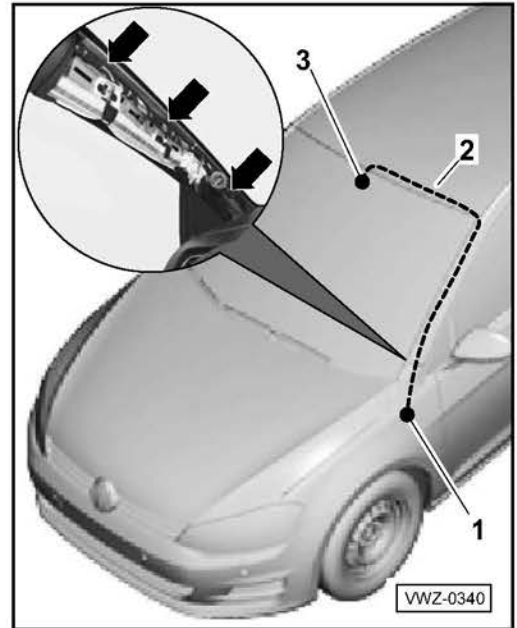
### Applies to: Vehicles with flip mirror:

- Remove the side cover from the dash panel on the driver's side.
- ⇒ ELSA; repair group 68
- Remove the rotary light switch.
- ⇒ ELSA; repair group 96
- Remove the upper A-pillar trim on the driver's side.
- ⇒ ELSA; repair group 70
- Remove the sun visor on the driver's side.
- ⇒ ELSA; repair group 68
- Loosen the moulded headliner on the driver's side at the front.
- ⇒ ELSA; repair group 70

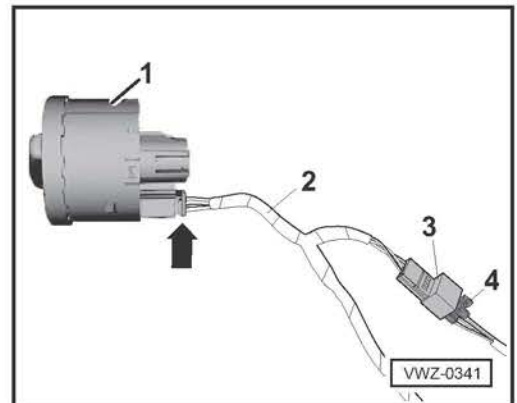


## Enhanced Rearview Mirror

- Replace the existing mirror with the Enhanced Rearview Mirror.  
⇒ ELSA; repair group 68
- Route the mirror connecting cable (supplied in the kit) -2- vertically on the right hand side of the mirror mount up to the headliner.
- Tuck the cable behind the headliner and down the "A" pillar to the opening for the rotary light switch -1- in the dash panel.
- Use small wire ties -arrows- to secure the cable to the factory harness located within the "A" pillar.



- Insert the connector of the mirror connecting cable -2- on the rotary light switch -1- and snap into place -arrow-.
- Insert the connector -4- of the vehicle wiring harness into the socket -3- of the mirror connecting cable -2- and snap into place.
- Install the rotary light switch -1-.
- ⇒ ELSA; repair group 96



- Install all vehicle components in the reverse order.  
⇒ ELSA

### © 2016 Volkswagen Accessories

No reprint, reproduction, or translation of this manual is permitted, even in excerpts, without the express written consent of Volkswagen Accessories. Volkswagen Accessories expressly reserved all rights under applicable copyright law. Subject to change.