

---

**February 17, 2017**

05854 Version 4

**MIL Comes On with DTC P2422****Supersedes 15-010, dated December 3, 2015; See REVISION SUMMARY****AFFECTED VEHICLES**

<b>Year</b>	<b>Model</b>	<b>Trim</b>	<b>VIN Range</b>
2013–17	Accord	ALL	ALL
2014–15 and 2017	Accord Hybrid (No Accord Plug-in Hybrid)	ALL	ALL

**REVISION SUMMARY**

This bulletin was extensively revised. American Honda recommends reviewing it in its entirety.

**SYMPTOM**

The MIL is on with DTC P2422 (EVAP canister vent shut valve stuck closed malfunction).

**POSSIBLE CAUSES**

Dirt may be clogging the EVAP canister vent tube.

**CORRECTIVE ACTION**

Inspect the canister vent tube and, if necessary, replace the canister assembly and install a new canister drain kit, which includes a canister filter box.

**CUSTOMER INFORMATION:** The information in this bulletin is intended for use only by skilled technicians who have the proper tools, equipment, and training to correctly and safely maintain your vehicle. These procedures should not be attempted by “do-it-yourselfers,” and you should not assume this bulletin applies to your vehicle, or that your vehicle has the condition described. To determine whether this information applies, contact an authorized Honda automobile dealer.

## PARTS INFORMATION – REPAIR PROCEDURE

Part Name	Part Number	Quantity
Canister Drain Kit All except Accord Hybrid Accord Hybrid	06171-T2A-315 06171-T3W-305	1
Canister Set KA emission specification KL emission specification Accord Hybrid emission specification	17011-T2A-A01 17011-T2A-L01 17011-T3W-A01	1
Retainer	17711-SNA-A01	1

NOTE: A canister filter box is included in the canister drain kit. **Only order a replacement canister filter box when you need to replace it.**

## PARTS INFORMATION – CANISTER FILTER BOX REPLACEMENT

Part Name	Part Number	Quantity
Replacement Canister Filter Box	17315-TP7-A01	1

## WARRANTY CLAIM INFORMATION

The normal warranty applies.

Operation Number	Description	Flat Rate Time	Defect Code	Symptom Code	Template ID	Failed Part Number
3101AL	<b>Accord KA</b> - Inspect and replace the canister assembly and install a new canister drain kit (includes canister filter box).	0.6 hr	05401	03203	15-010C	17011-T2A-A01
3101AL	<b>Accord KL</b> - Inspect and replace the canister assembly and install a new canister drain kit (includes canister filter box).	0.6 hr	05401	03203	15-010D	17011-T2A-A01
3101AL	<b>Accord Hybrid</b> - Inspect and replace the canister assembly and install a new canister drain kit (includes canister filter box).	0.6 hr	05401	03203	15-010E	17011-T2A-A01

3111BP	<b>Accord KA, KL, and Hybrid</b> - Inspect and replace the canister filter box.	0.3 hr	05401	03203	15-010F	17011-T2A-A01
--------	---	--------	-------	-------	---------	---------------

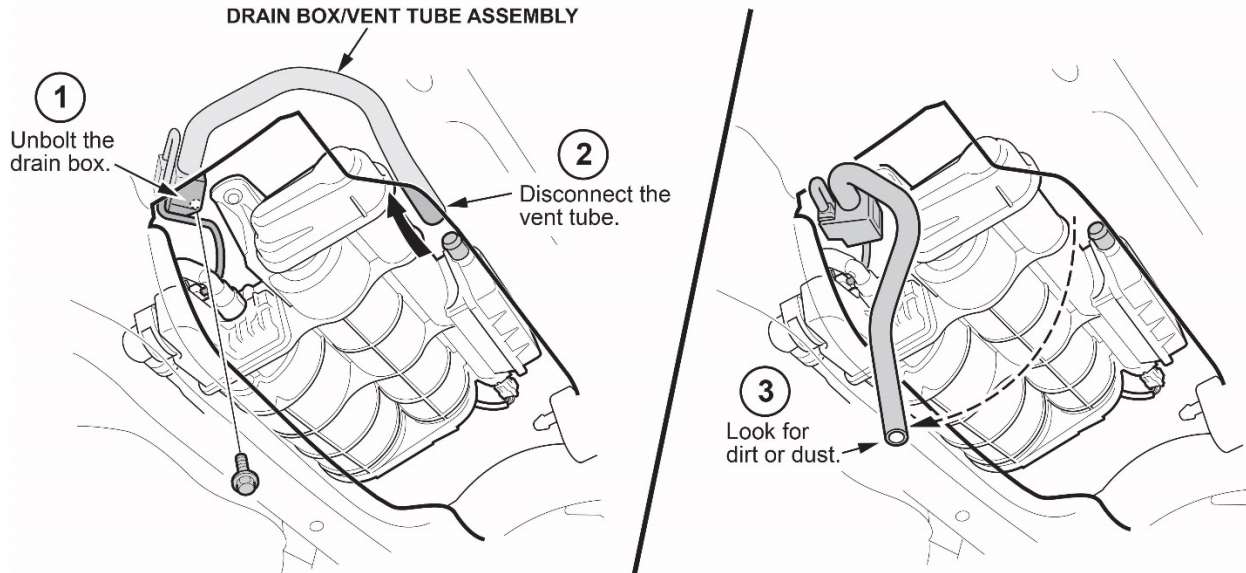
Skill Level: Repair Technician

## INSPECTION PROCEDURE

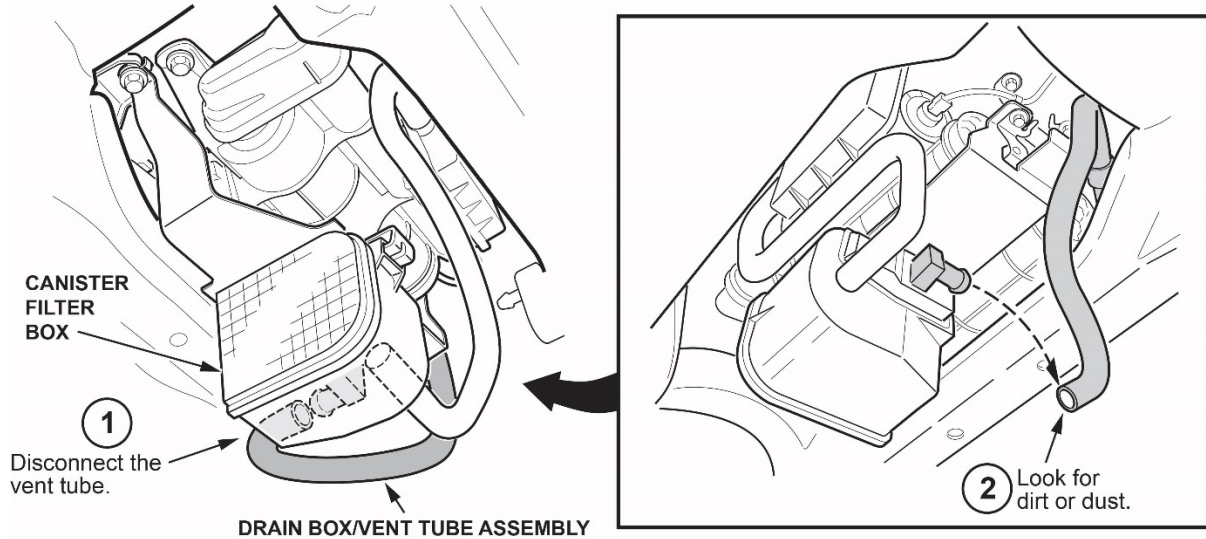
Remove the bolt and the canister vent tube. Check if there is any dust or dirt in the tube by visually inspecting and tapping/shaking it.

- If the vent tube has any dust or dirt inside it, go to REPAIR PROCEDURE.
- If the vehicle has a canister filter box attached and there is dust or dirt inside the vent tube, go to REPAIR PROCEDURE - FILTER BOX REPLACEMENT.
- If the vent tube has no dust or dirt present, this bulletin does not apply. Continue with normal troubleshooting.

### IF NO CANISTER FILTER BOX IS INSTALLED:

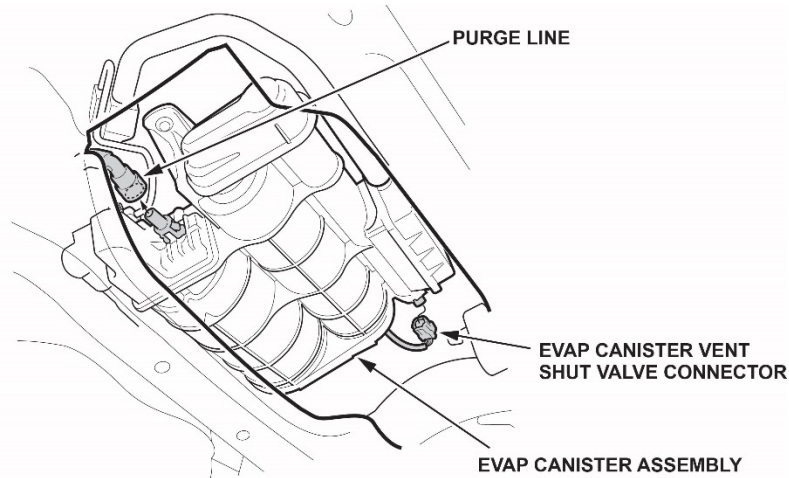


### IF CANISTER FILTER BOX IS INSTALLED:

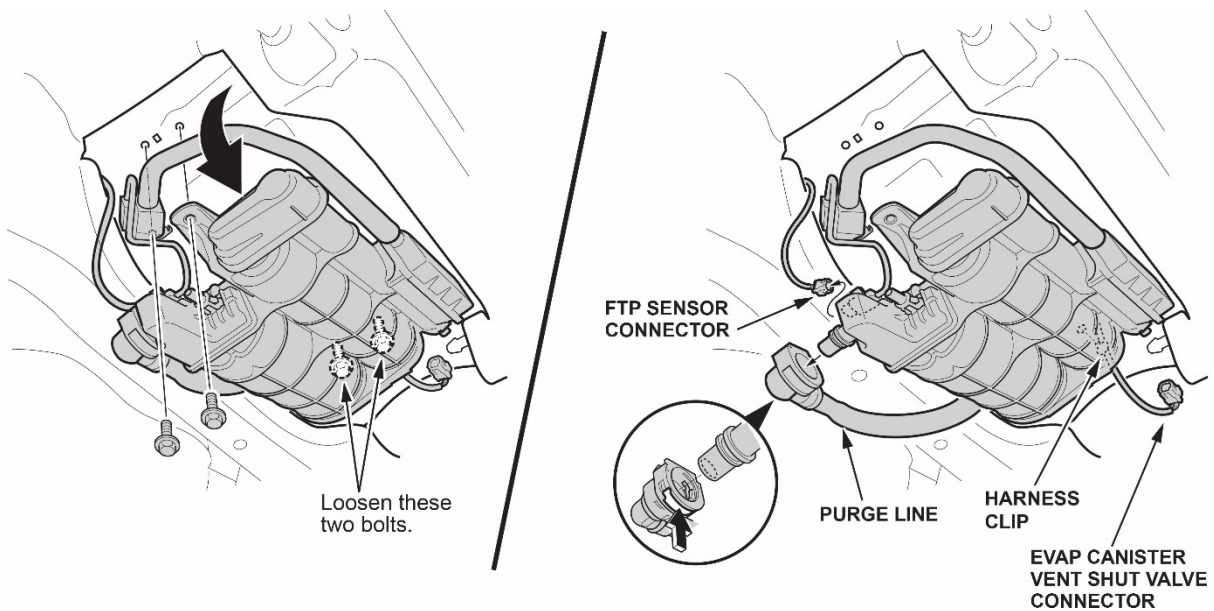


## REPAIR PROCEDURE

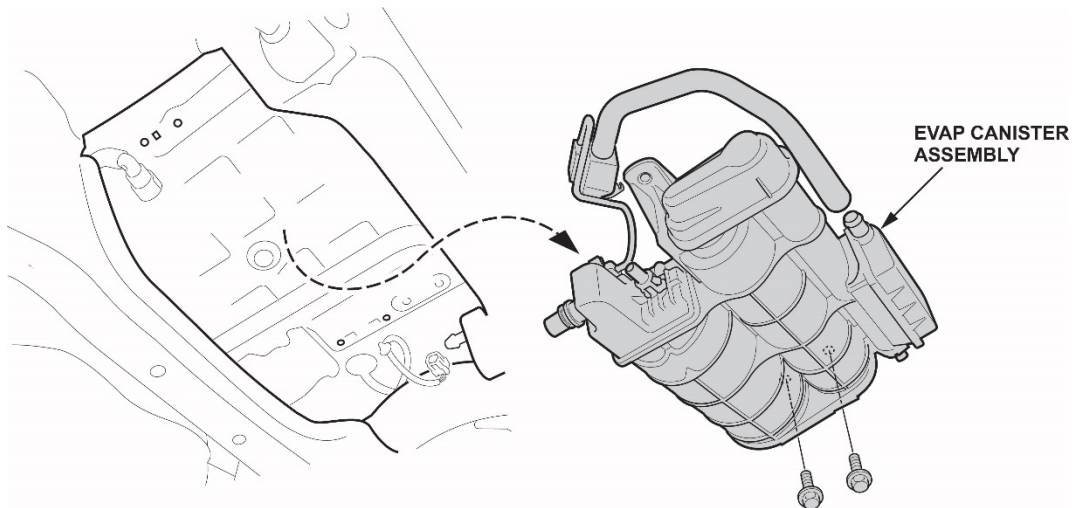
1. Disconnect the purge line and the EVAP canister vent shut valve connector.



2. Loosen the two bolts on one side of the canister and remove the other two bolts as shown, then disconnect the second purge line, FTP sensor connector, and the EVAP canister vent shut valve harness clip.



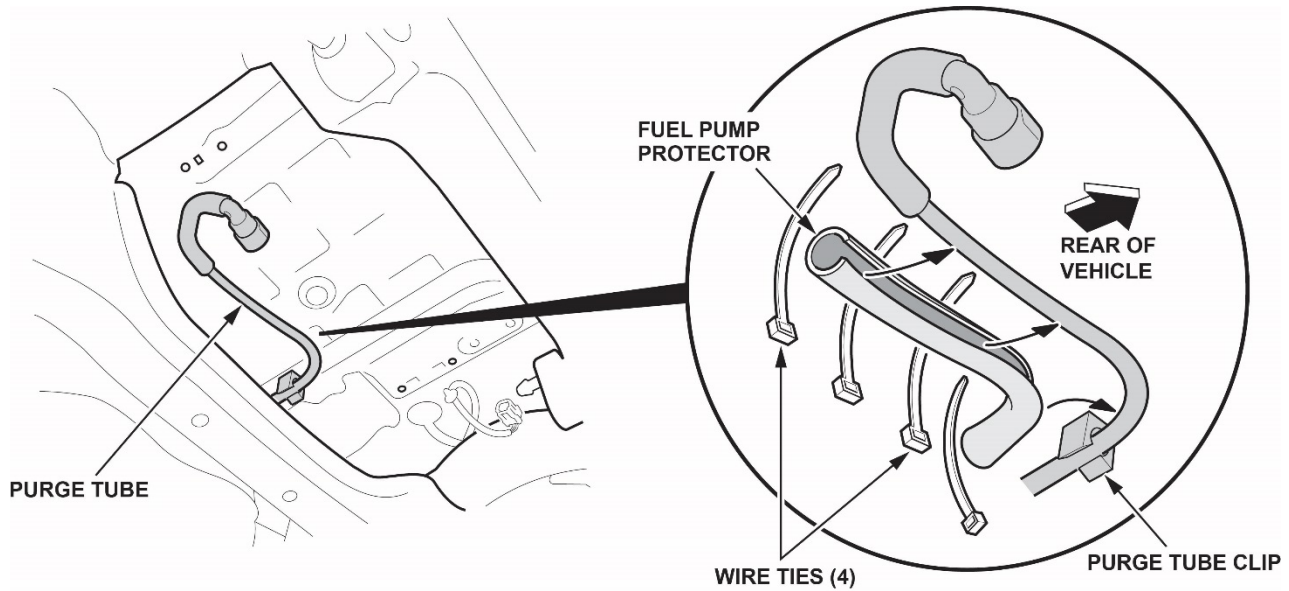
3. Remove the remaining 2 bolts, then remove the EVAP canister.



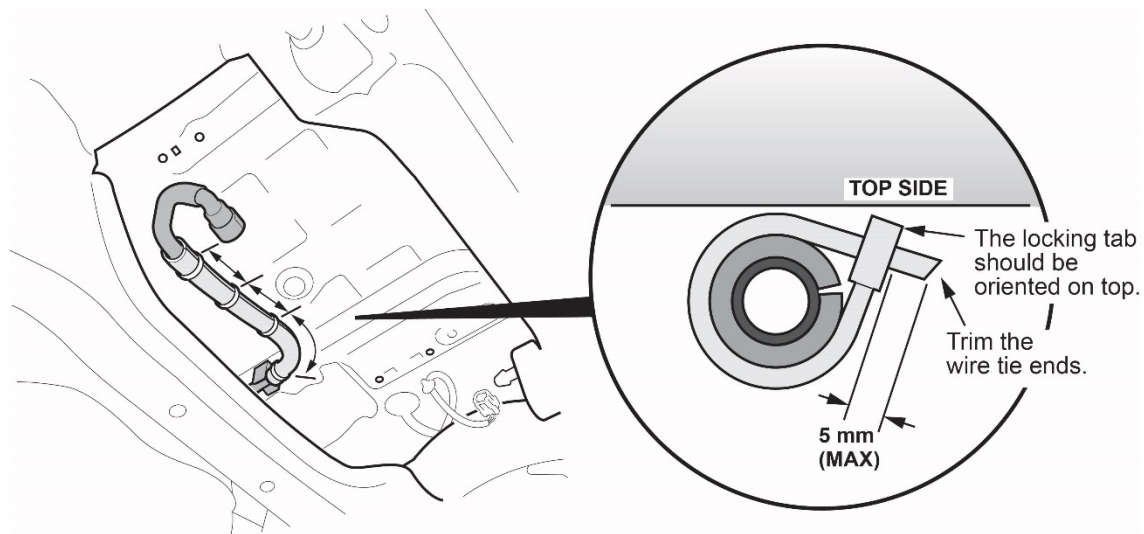
4. Check for a protector on the purge tube. If the vehicle does not have a protector, install one as shown. Otherwise, go to step 5.

NOTE: If the vehicle previously came in for DTC P2422, the protector may already be installed on the purge tube. It does not need to be replaced.

- Wrap the fuel purge protector so the slit faces the rear of the vehicle.



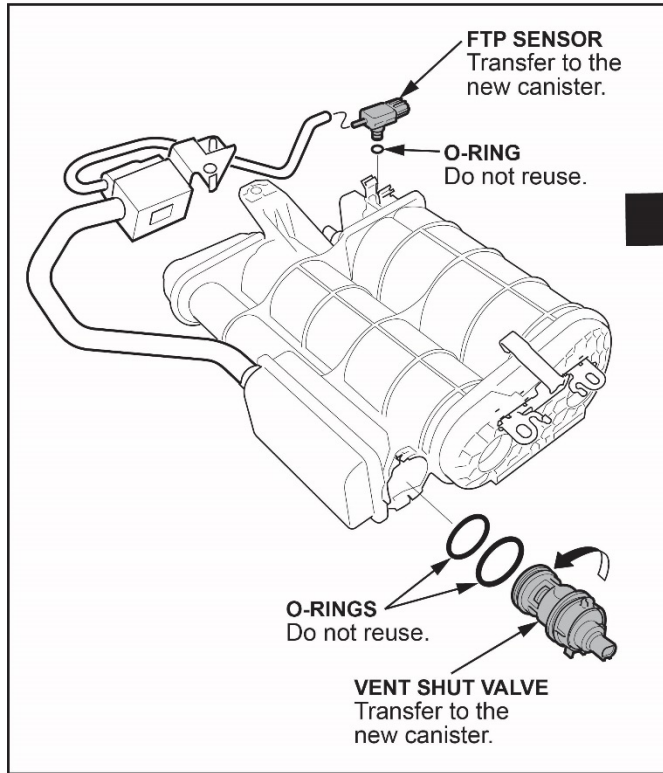
- Equally space the zip ties, and tighten the ties so that the locking tab is oriented on the top as shown.



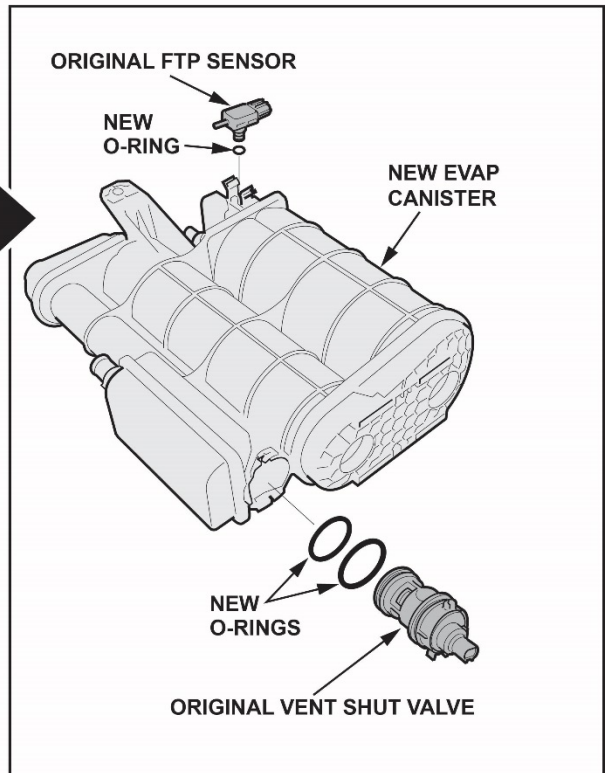
- Trim the ends of the zip ties to less than 5 mm.

- Transfer the original canister vent shut valve and the vent pressure sensor to the new canister.

**ORIGINAL EVAP CANISTER**

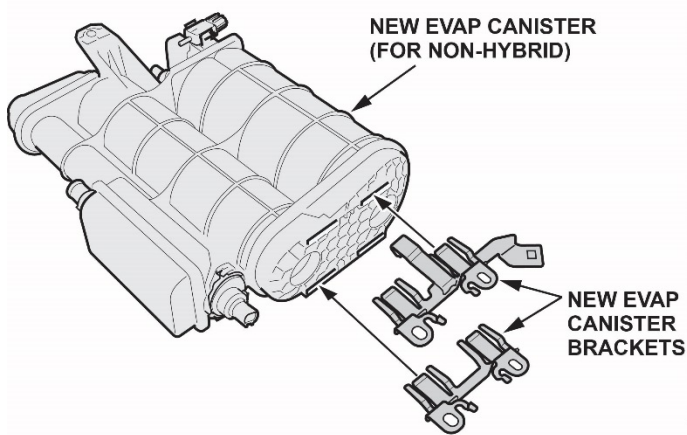


**NEW EVAP CANISTER**

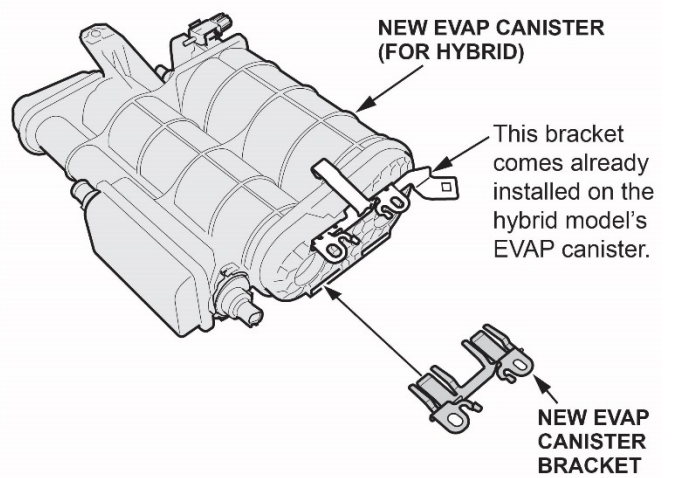


- Install the new EVAP canister bracket.

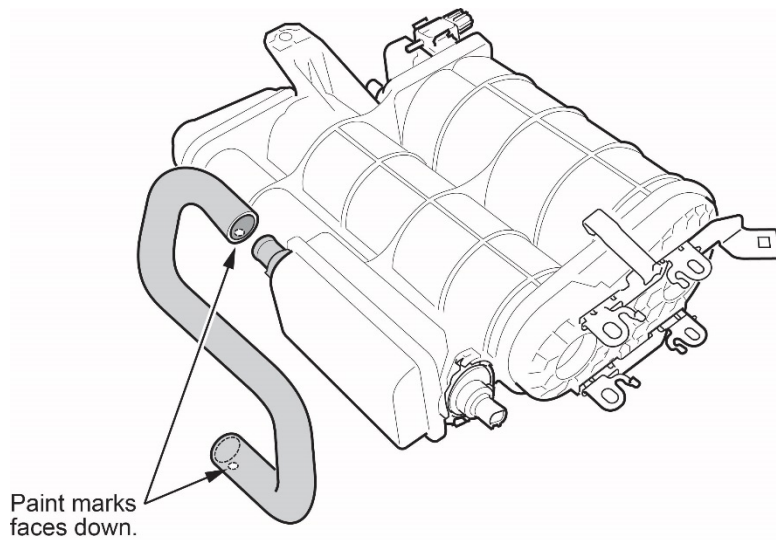
**NON-HYBRID**



**HYBRID**

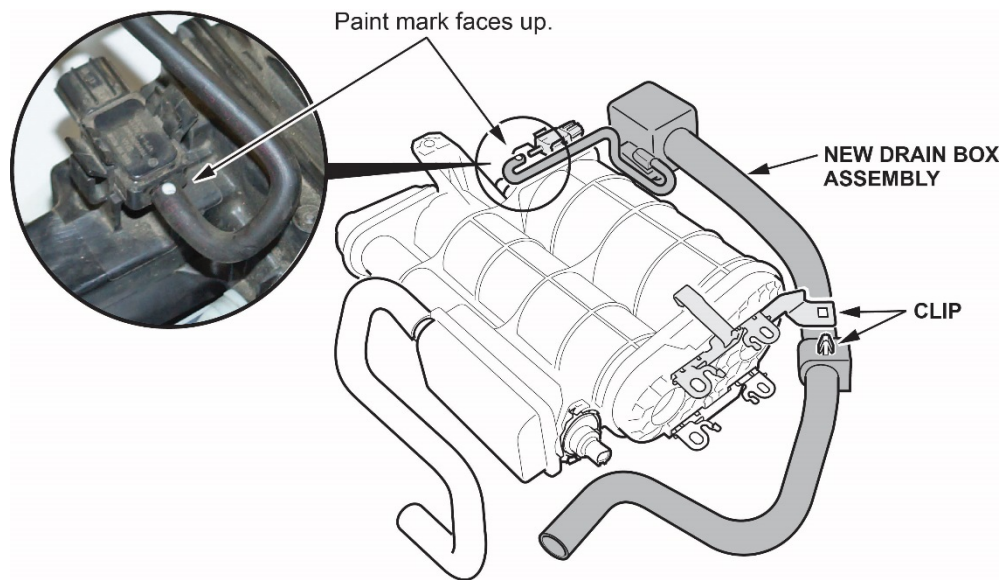


7. Install the new hose as shown and do not connect the other end at this time.

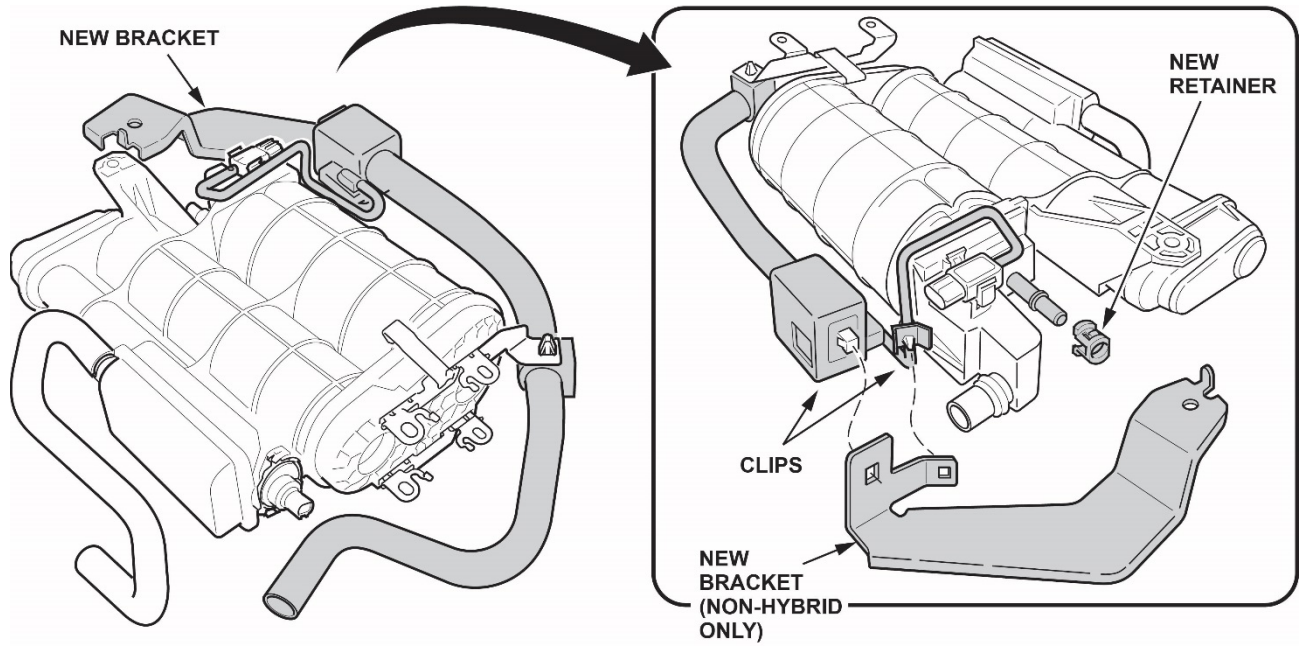


8. Install the new canister drain kit (includes drain box, hose, and clip) but do not connect the other end of the hose at this time.

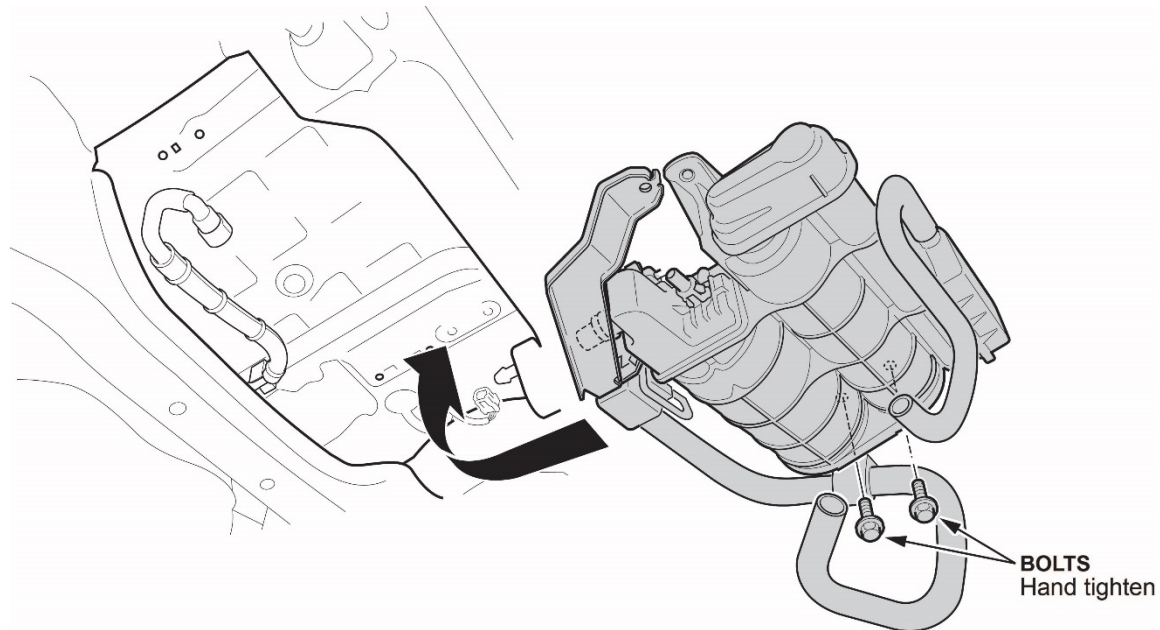
NOTE: Make sure the hose is installed in the correct position.



9. Install the new drain box bracket (non-hybrid only) and the new retainer as shown.

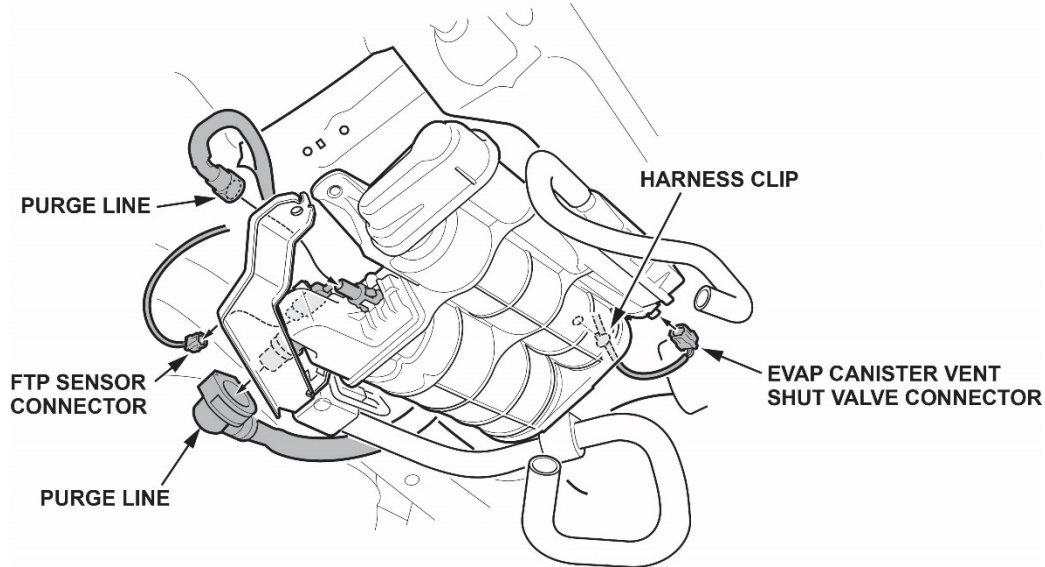


10. Install the EVAP canister assembly with the bolts shown finger tight.



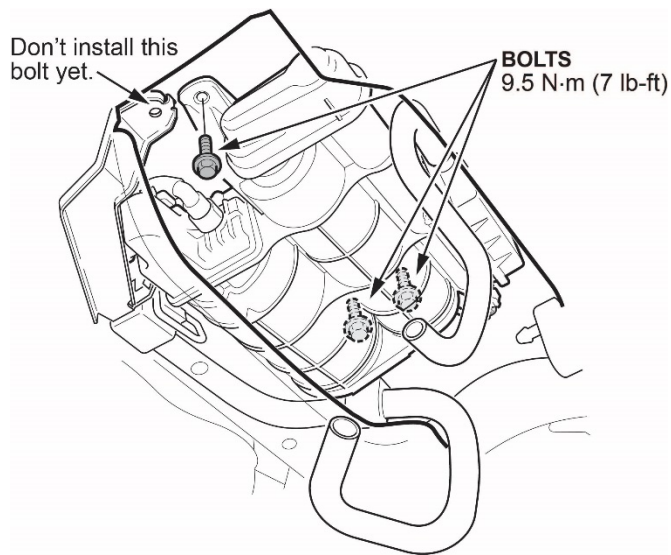


11. Connect the purge lines, the EVAP canister vent shut valve connector, and the FTP sensor connector.

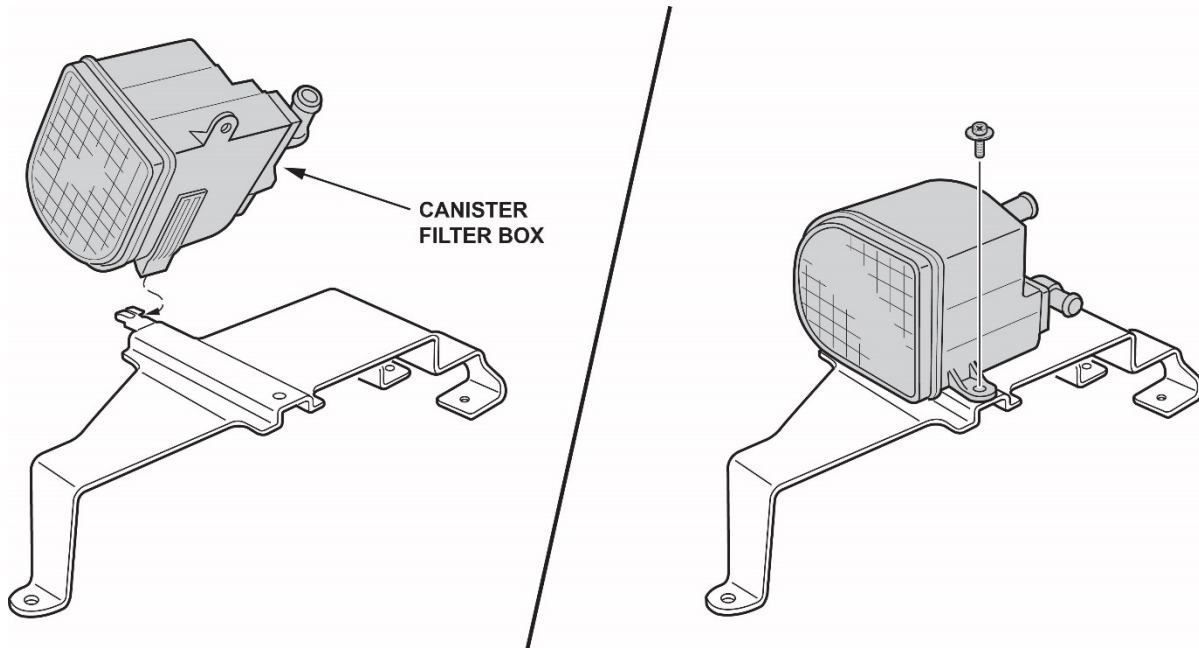


12. Install the bolt as shown and torque all 3 bolts to **9.5 Nm (7 lb-ft)**.

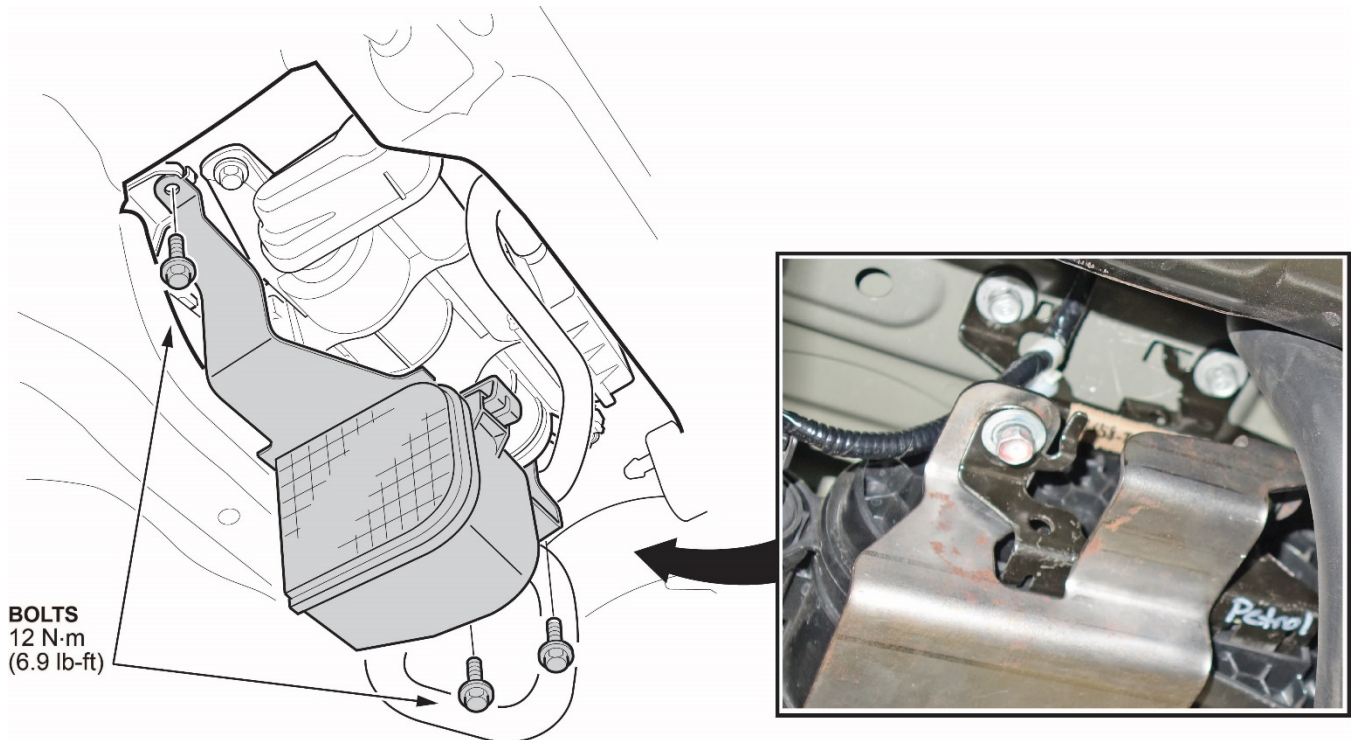
NOTE: Do not install the fourth bolt because you'll install it with the filter.



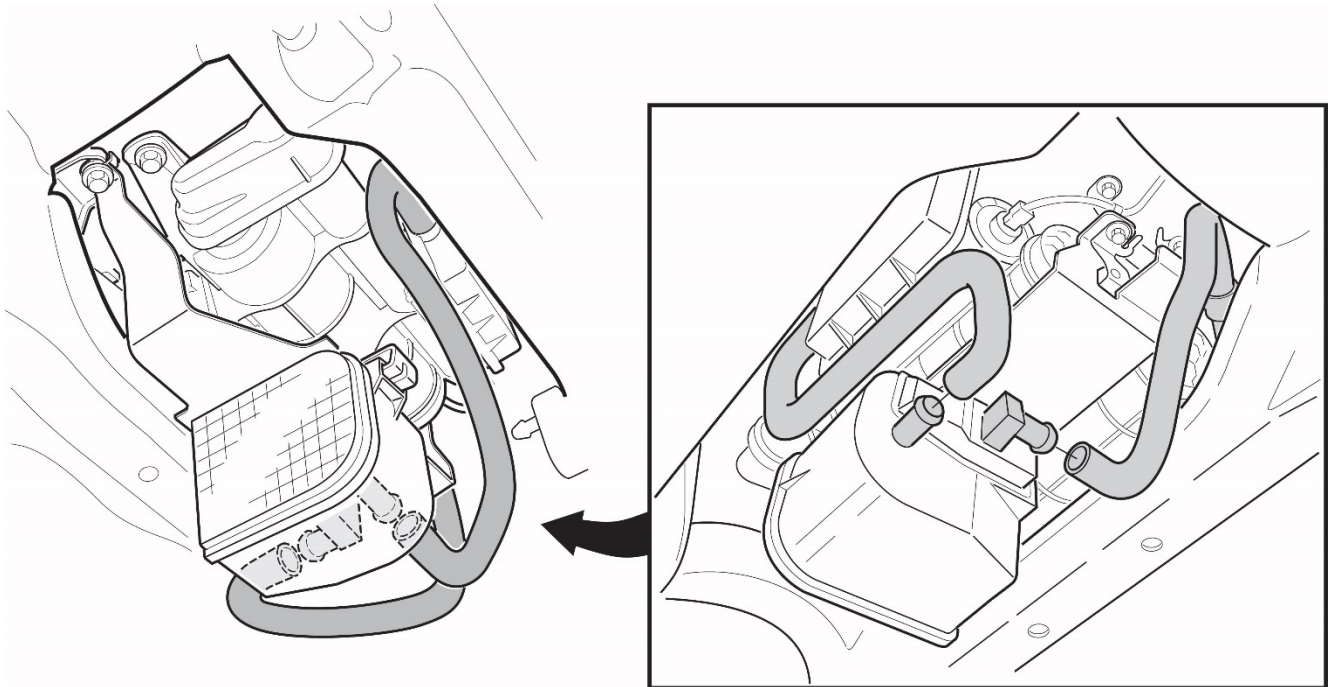
13. Install the filter onto the bracket and secure it with the bolt.  
NOTE: Do not over-tighten the bolt because you could strip it.



14. Install the filter onto the vehicle and torque the nut to **12 N·m (6.9 lb-ft)**.



15. Connect the hoses to the filter as shown.



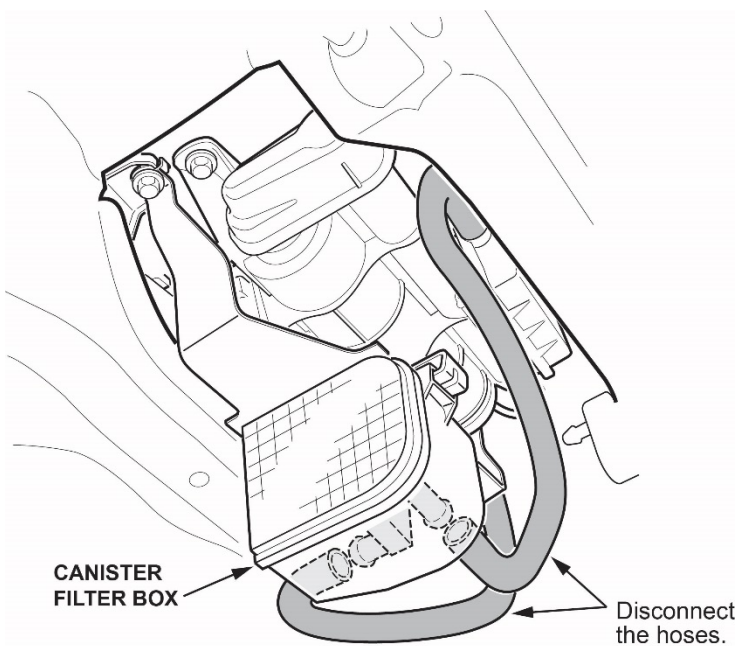
16. Using the HDS, clear the DTCs, then do the EVAP system function test.

- If the vehicle passes the EVAP system function test, the repair is complete.
- If the vehicle does not pass the EVAP system function test, there is still a problem. Continue with normal troubleshooting procedures.

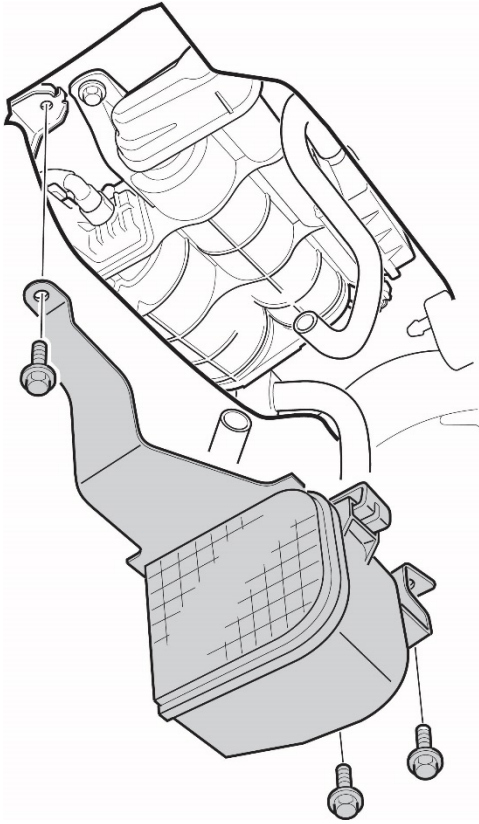
### REPAIR PROCEDURE – CANISTER FILTER BOX REPLACEMENT

NOTE: Only do this procedure when the canister filter box is installed and it needs to be replaced because of dust.

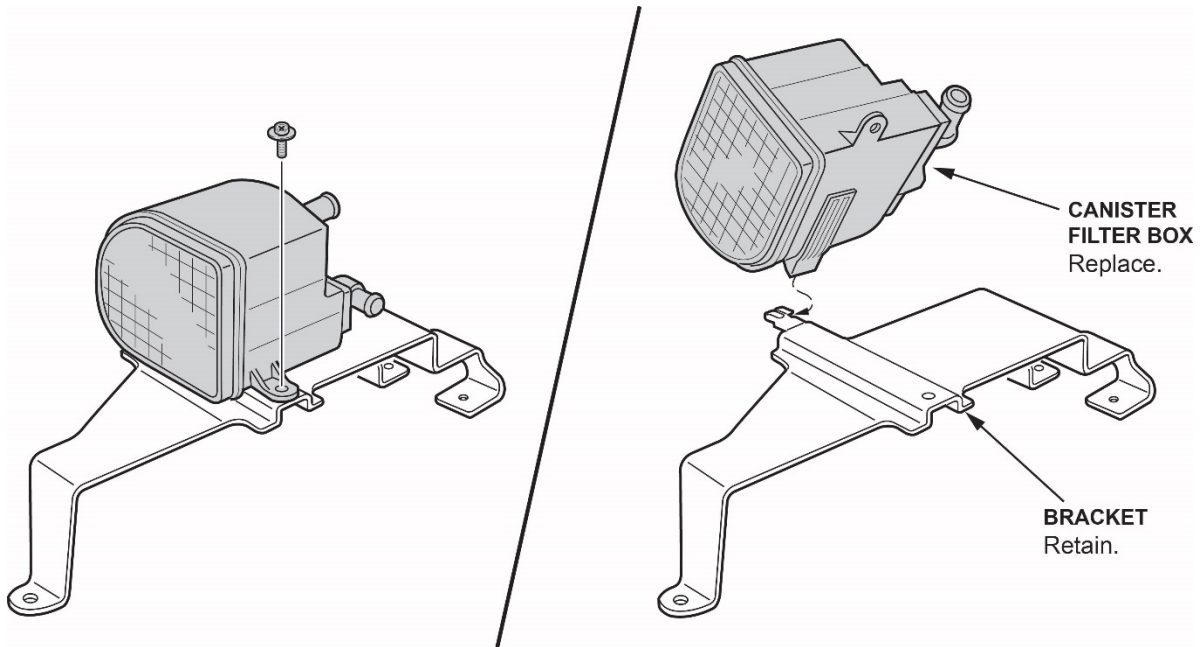
1. Disconnect the hoses from the canister filter box as shown.



2. Remove the three bolts as shown and remove the canister filter box and bracket from the vehicle.



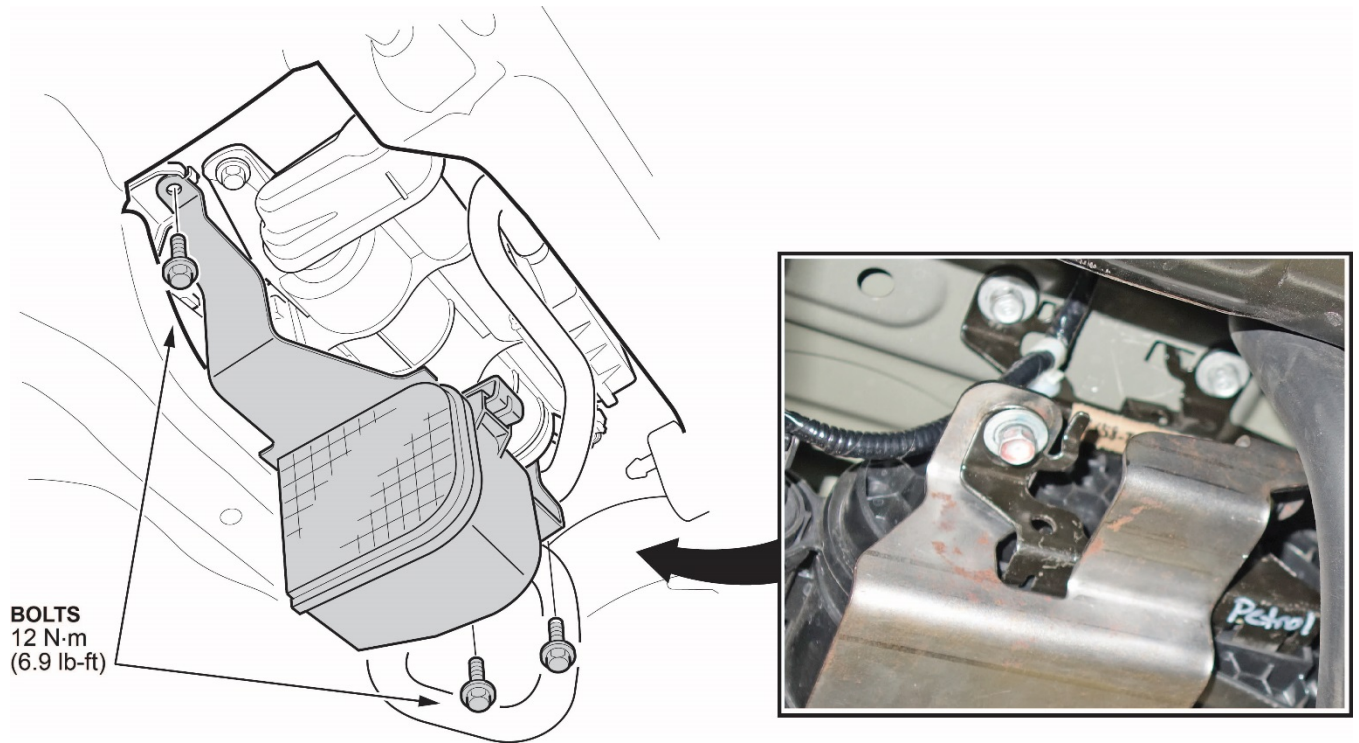
3. Remove the bolt securing the canister filter box to the bracket, then remove the canister filter box.



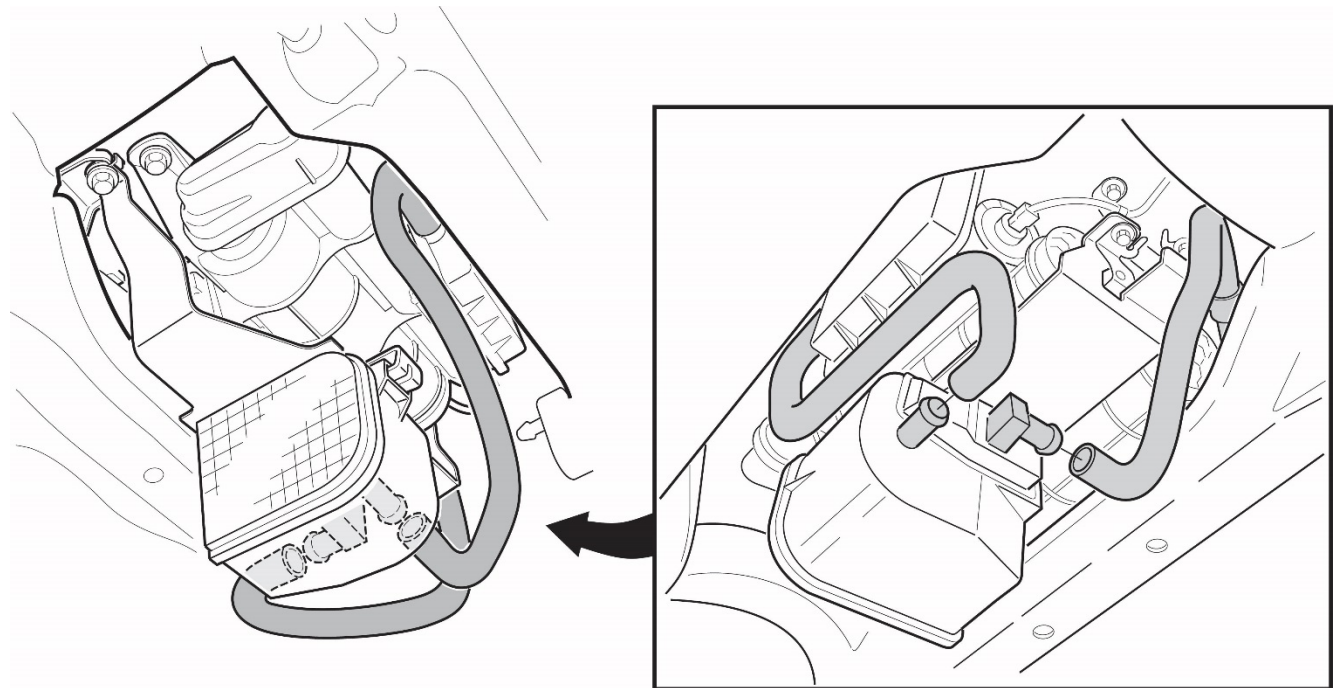
4. Install the new canister filter box onto the bracket and use the bolt to attach it to the bracket.

**NOTE:** Do not over-tighten the bolt because you could strip it.

5. Reinstall the bracket with the three bolts and torque the bolts to **12 N·m (6.9 lb-ft)**.



6. Reconnect the hoses to the canister filter box as shown.



END