

March 13, 2015

01327 Version 1

Driver's Seat Cushion Cover Comes Loose

AFFECTED VEHICLES

Year	Model	Trim	VIN range
2012–14	TL	Advance	ALL
		Advance with SH-AWD	ALL

SYMPTOM

The driver's seat cushion cover comes loose.

POSSIBLE CAUSES

The seat cushion and TCI (thermal change insert) bag are pushing up against the seat cushion cover and are popping the tabs.

CORRECTIVE ACTION

Cut out sections of the seat cushion foam to allow the seat cushion cover to fit properly and for the tabs to click into place.

WARRANTY CLAIM INFORMATION

The normal warranty applies.

Operation Number	Description	Flat Rate Time	Template ID	Failed Part Number
8510A8	Remove driver's seat and cut out foam sections.	0.7 hr	15-013N	81531-TK5-L61ZA

Defect Code: 07403

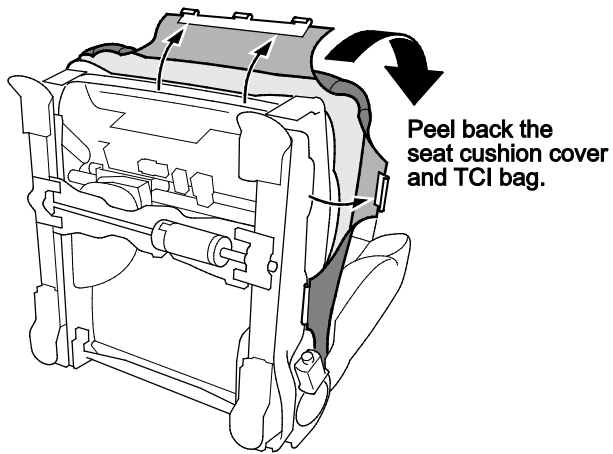
Symptom Code: 06201

Skill Level: Repair Technician

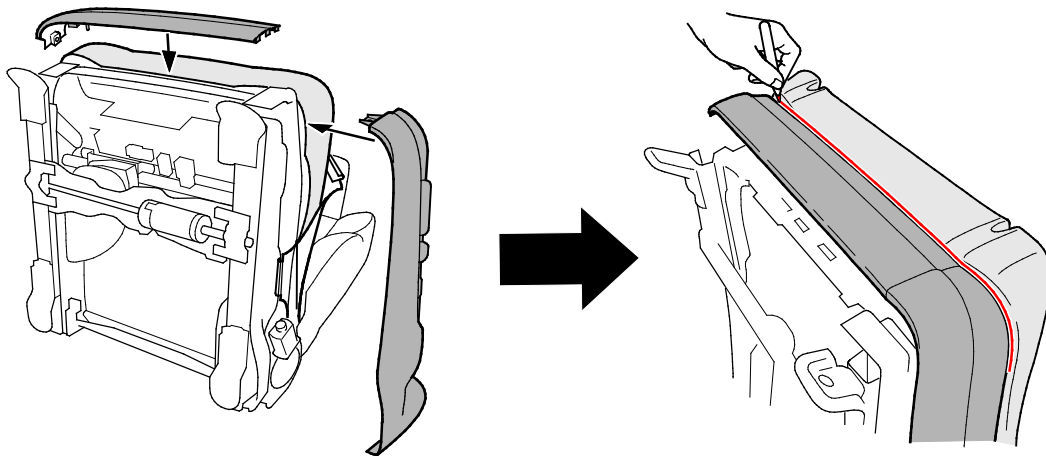
CLIENT INFORMATION: The information in this bulletin is intended for use only by skilled technicians who have the proper tools, equipment, and training to correctly and safely maintain your vehicle. These procedures should not be attempted by "do-it-yourselfers," and you should not assume this bulletin applies to your vehicle, or that your vehicle has the condition described. To determine whether this information applies, contact an authorized Acura automobile dealer.

REPAIR PROCEDURE

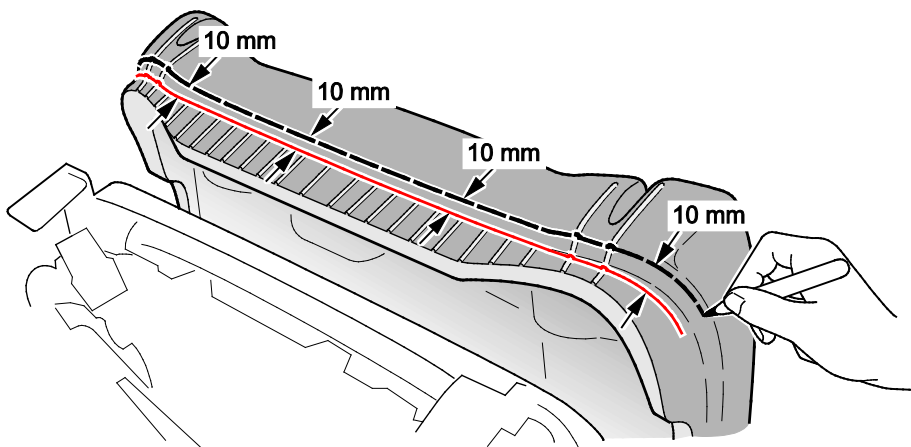
1. Remove the driver's seat. See the electronic service manual for more information.
2. Peel the seat cushion cover and TCI bag to expose the seat cushion.



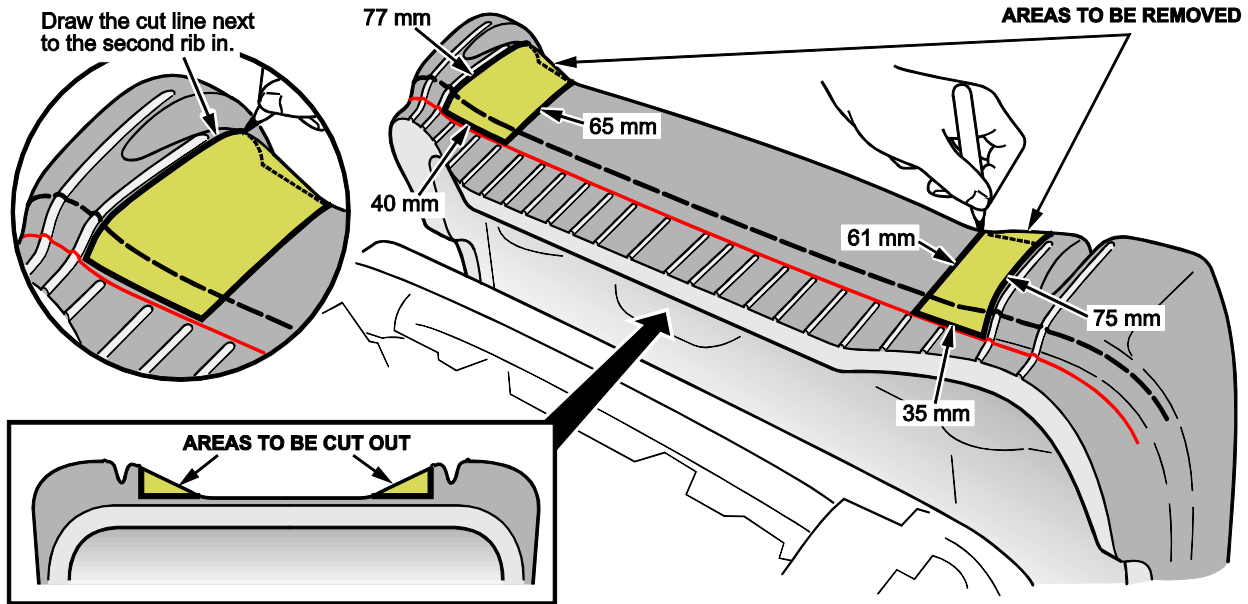
3. Loosely install the cushion and recliner covers (removed in step 1) to the seat frame and mark a reference line with a permanent felt tip pen as shown.



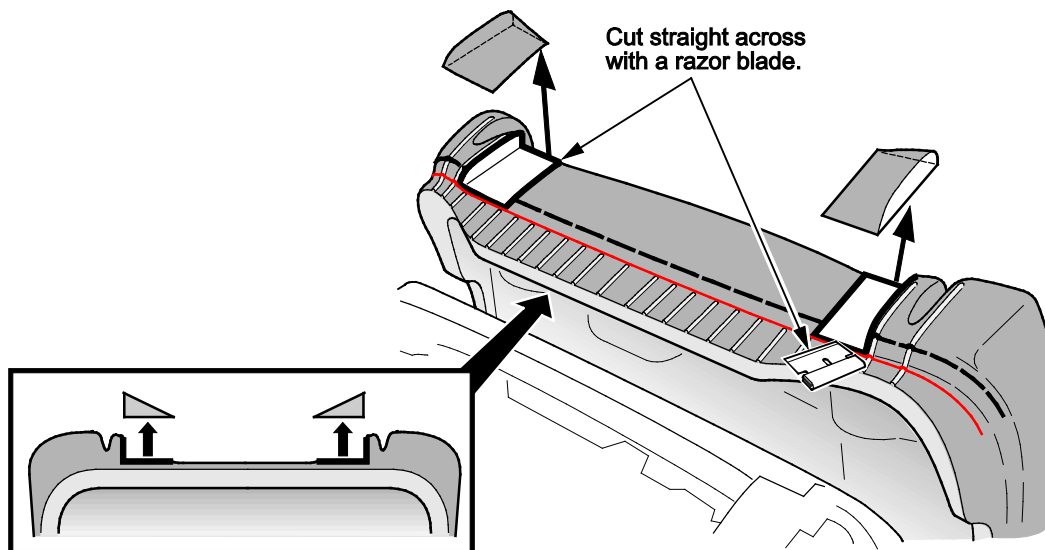
4. Remove the seat cushion and recliner covers, then use a ruler to mark a second cut line 10 mm above the reference line.



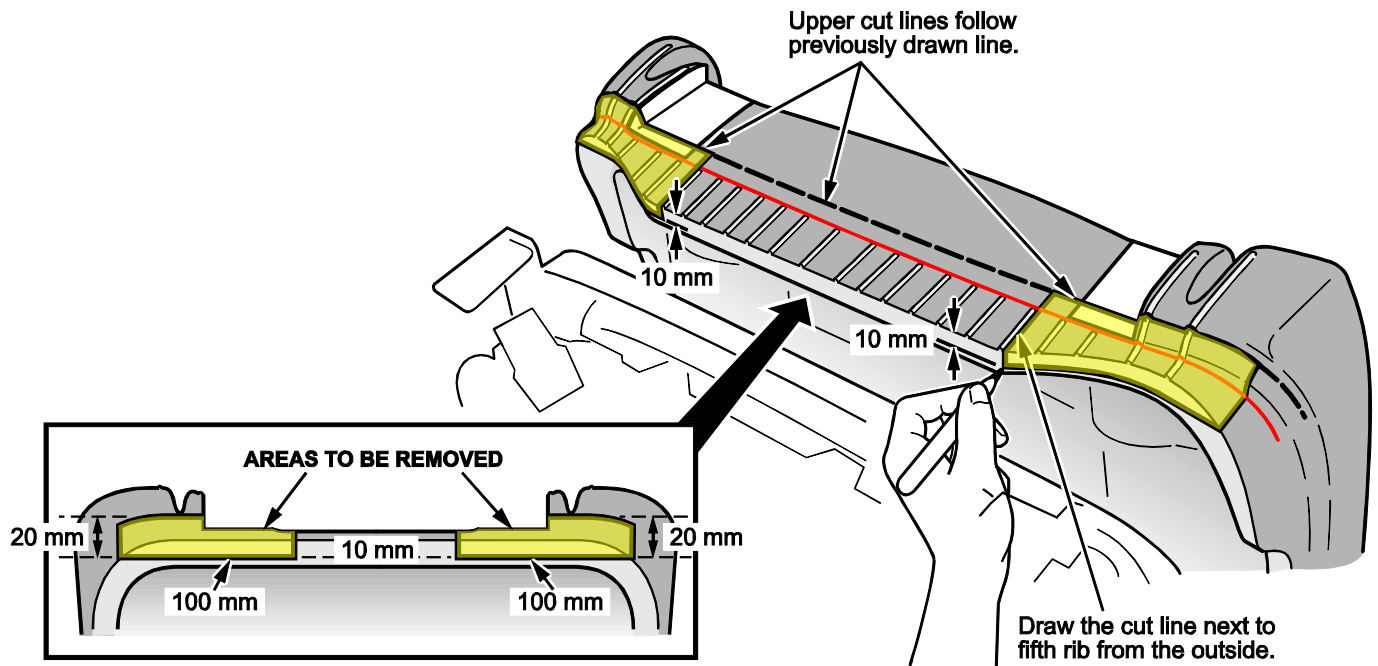
5. Use a ruler to measure and mark the seat cushion following the second rib lines as shown.



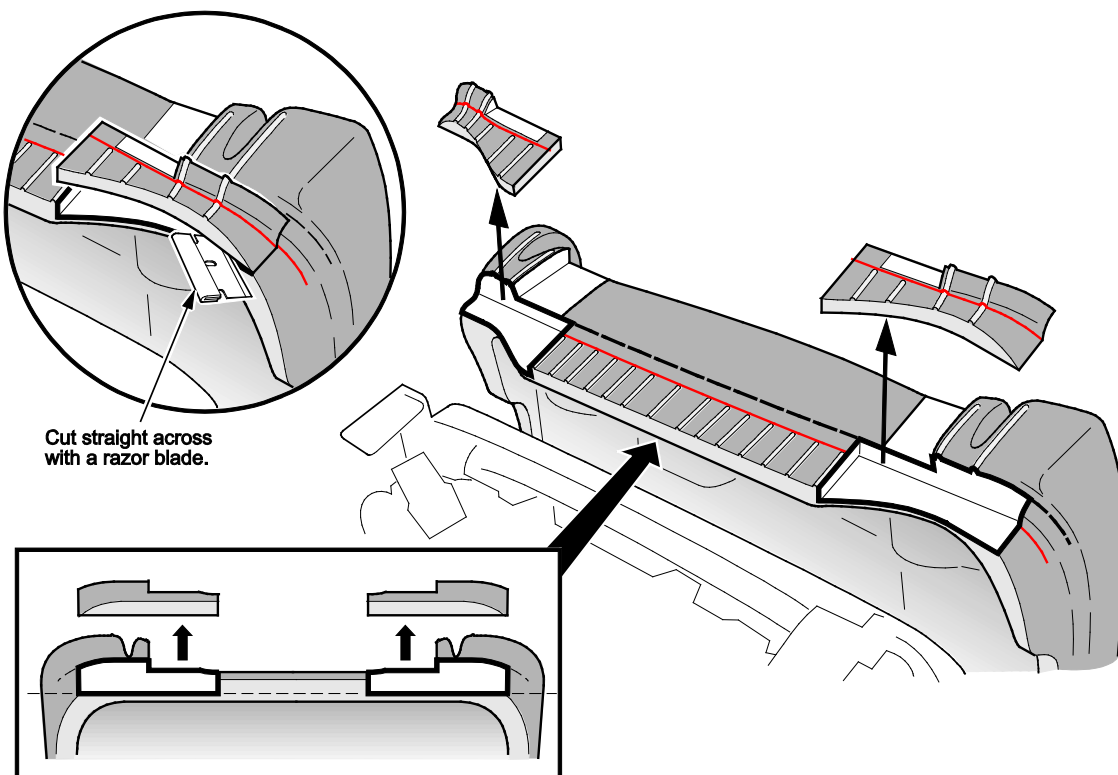
6. Carefully cut the foam sections out with a sharp razor blade.



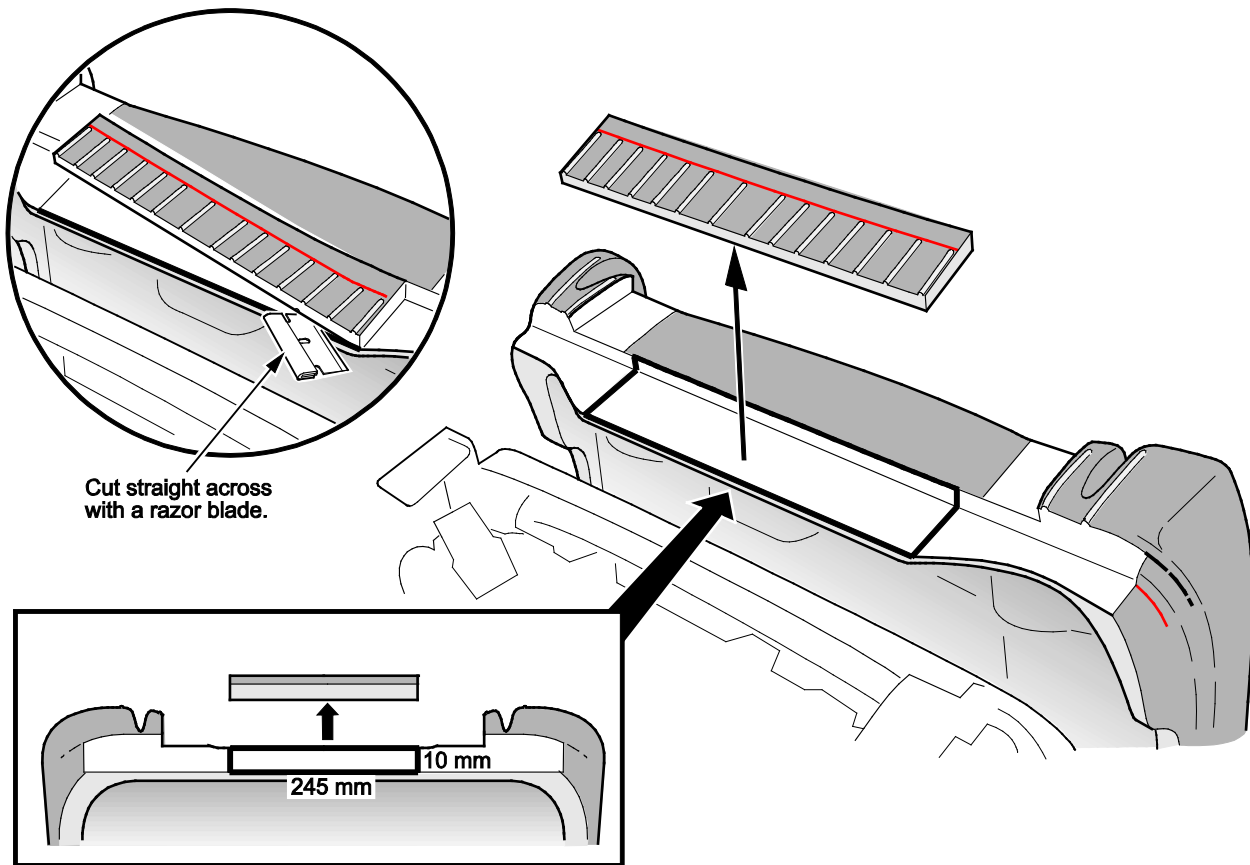
7. Use a felt tip pen to mark the front of the seat cushion as shown.



8. Carefully cut out the foam sections.



9. Carefully cut out the last foam section.



10. Reassemble the driver's seat, then reinstall all parts and panels in reverse order. See the electronic service manual for more information.

END.