

# Remanufactured Automatic Transmission Serial Number Location

Service Category Drivetrain

Section Automatic Transmission/Transaxle Market USA



## Applicability

YEAR(S)	MODEL(S)	ADDITIONAL INFORMATION
2006 – 2014	ES330, ES350, GS300, GS350, GS430, GS460, GX460, GX470, IS F, IS250, IS250C, IS350, IS350C, LS430, LS460, LX470, LX570, RX330, RX350, SC430	Transmission(s): 5AT, 6AT

### REVISION NOTICE

October 15, 2014 Rev2:

- Applicability has been updated to include 2011 – 2014 model year applicable Lexus vehicles.
- The Engine/Transmission Reference section has been updated.

October 13, 2009 Rev1:

- Applicability has been updated to include 2010 model year vehicles.

Any previous printed versions of this bulletin should be discarded.

### SUPERSESSION NOTICE

The information contained in this bulletin supersedes SB No. TC010-06.

- Applicability has been updated to include 2008 – 2009 model year vehicles.

Service Bulletin No. TC010-06 is Obsolete and any printed versions should be discarded. Be sure to review the entire content of this bulletin before proceeding.

## Introduction

The purpose of this bulletin is to assist in the identification and location of serial numbers on 2006 – 2014 model year remanufactured automatic transmissions.

## Remanufactured Automatic Transmission Serial Number Location

---

### Introduction (Continued)

**NOTE**

- When writing a Field Technical and/or Product Report, the serial number **MUST** be provided.
- Warranty policy requires shipment of **ALL** replaced transmissions to AWTEC, even if the transmission is replaced with a new service unit.
- Warranty policy requires the Core Return Credit Request (CRCR) form be filled out correctly and returned with the core.
- Per Lexus Warranty Policy & Procedures "[Policy 4.21: OEM and Remanufactured Automatic Transmission Replacement](#)":
  - Whenever a remanufactured or OEM automatic transaxle/transmission is replaced, the serial number from the back of the failed component must be recorded on the repair order hard copy and entered in the "*Transmission Serial Number*" field which can be found on the "*Additional Information*" tab of the warranty claim. Serial numbers listed on the warranty claim are matched to the cores returned to AWTEC. Claims without a matching core will be debited back to the dealer.
  - If any non-hybrid OEM or remanufactured automatic transaxles/transmissions and/or torque converters inadvertently appear on the Scrap Report, or if the Part Recovery Request Screen "*Scrap Field*" indicates "Y," **DO NOT SCRAP THESE PARTS**. All OEM and remanufactured automatic transaxles/transmissions and torque converters are still required to be shipped to AWTEC for remanufacture.

### Warranty Information

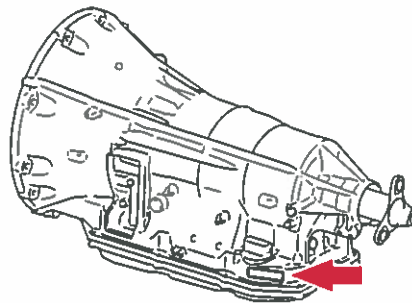
OP CODE	DESCRIPTION	TIME	OFF	T1	T2
N/A	Not Applicable to Warranty	-	-	-	-

## Remanufactured Automatic Transmission Serial Number Location

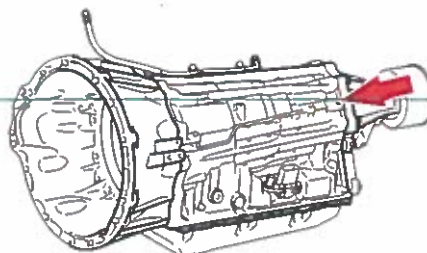
### Engine/Transmission Reference

**NOTE**  
Serial numbers on remanufactured transmissions are highlighted with paint.

TRANSMISSION MODEL	MODEL	MODEL YEAR	ENGINE	SERIAL NUMBER
AA80E	GS 460	2008 – 2011	1UR	<b>Example: 11 A L 0001 A</b> 11: Year of Manufacture A: Month of Manufacture (A - M, "I" not used) L: Transmission Model Code 0001: 4-Digit Serial Number A: Remanufactured Service Digit Location: Slightly Off-Center to Rear of Transmission (as shown)
	IS-F	2008 – 2014	2UR	
	LS 460	2007 – 2014	1UR	



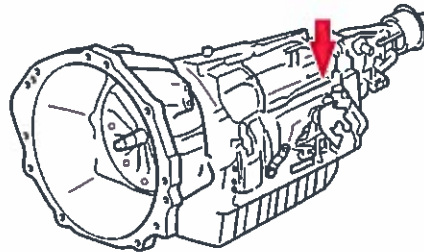
TRANSMISSION MODEL	MODEL	MODEL YEAR	ENGINE	SERIAL NUMBER
AB60F	LX 570	2008 – 2014	3UR	<b>Example: 11 A U 0001 A</b> 11: Year of Manufacture A: Month of Manufacture (A - M, "I" not used) U: Transmission Model Code 0001: 4-Digit Serial Number A: Remanufactured Service Digit Location: Left Rear of Transmission Case Above Transmission Pan (as shown)



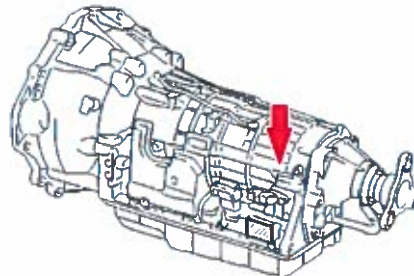
## Remanufactured Automatic Transmission Serial Number Location

### Engine/Transmission Reference (Continued)

TRANSMISSION MODEL	MODEL	MODEL YEAR	ENGINE	SERIAL NUMBER
A750E/F	GX 470	2006 – 2009	2UZ	<b>Example: 07 A P 0001 A</b> 07: Year of Manufacture A: Month of Manufacture (A - M, "I" not used) P: Transmission Model Code 0001: 4-Digit Serial Number A: Remanufactured Service Digit Location: Left Rear of Transmission Case About Halfway Up (as shown)
	LX 470	2006 – 2007		

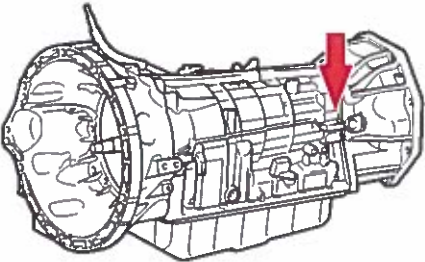


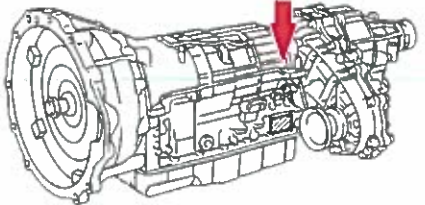
TRANSMISSION MODEL	MODEL	MODEL YEAR	ENGINE	SERIAL NUMBER
A760E	GS 350	2007 – 2011, 2013	2GR	<b>Example: 13 A F 0001 A</b> 13: Year of Manufacture A: Month of Manufacture (A - M, "I" not used) F: Transmission Model Code (may be "J") 0001: 4-Digit Serial Number A: Remanufactured Service Digit Location: Left Rear of Transmission Case About Halfway Up (as shown)
	IS 350/350C	2006 – 2014		



## Remanufactured Automatic Transmission Serial Number Location

### Engine/Transmission Reference (Continued)

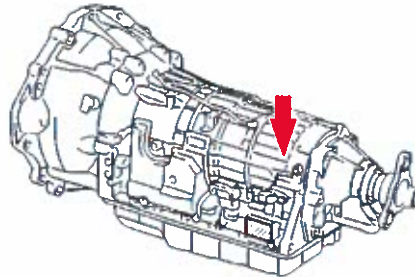
TRANSMISSION MODEL	MODEL	MODEL YEAR	ENGINE	SERIAL NUMBER
A760F	GX 460	2010 – 2014	1UR	<b>Example: 12 A J 0001 A</b> 12: Year of Manufacture A: Month of Manufacture (A - M, "I" not used) J: Transmission Model Code 0001: 4-Digit Serial Number A: Remanufactured Service Digit Location: Left Rear of Transmission Case About Halfway Up (as shown)
				

TRANSMISSION MODEL	MODEL	MODEL YEAR	ENGINE	SERIAL NUMBER
A760H	GS 300	2006	3GR	<b>Example: 12 A F 0001 A</b> 12: Year of Manufacture A: Month of Manufacture (A - M, "I" not used) F: Transmission Model Code (may be "J") 0001: 4-Digit Serial Number A: Remanufactured Service Digit Location: Left Rear of Transmission Case About Halfway Up (as shown)
	GS 350	2007 – 2011, 2013 – 2014	2GR	
	IS 250/250C	2006 – 2014	4GR	
				

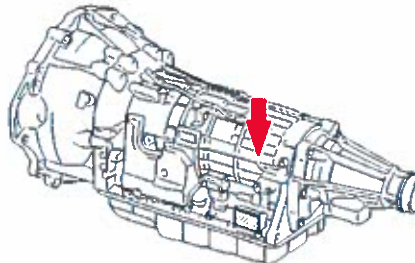
## Remanufactured Automatic Transmission Serial Number Location

### Engine/Transmission Reference (Continued)

TRANSMISSION MODEL	MODEL	MODEL YEAR	ENGINE	SERIAL NUMBER
A761E	GS 430	2006 – 2007	3UZ	<b>Example: 06 A J 0001 A</b> 06: Year of Manufacture A: Month of Manufacture (A - M, "I" not used) J: Transmission Model Code 0001: 4-Digit Serial Number A: Remanufactured Service Digit Location: Left Rear of Transmission Case About Halfway Up (as shown)
	LS 430	2006		
	SC 430	2006 – 2010		



TRANSMISSION MODEL	MODEL	MODEL YEAR	ENGINE	SERIAL NUMBER
A960E	GS 300	2006	3GR	<b>Example: 14 A K 0001 A</b> 14: Year of Manufacture A: Month of Manufacture (A - M, "I" not used) K: Transmission Model Code 0001: 4-Digit Serial Number A: Remanufactured Service Digit Location: Left Rear of Transmission Case About Halfway Up (as shown)
	IS 250/250C	2006 – 2014	4GR	



## Remanufactured Automatic Transmission Serial Number Location

### Engine/Transmission Reference (Continued)

TRANSMISSION MODEL	MODEL	MODEL YEAR	ENGINE	SERIAL NUMBER
U151E/F	ES 330	2006	3MZ	<b>Example: 06 A L 0001 A</b> 06: Year of Manufacture A: Month of Manufacture (A - M, "I" not used) L: Transmission Model Code 0001: 4-Digit Serial Number A: Remanufactured Service Digit Location: Slightly Off-Center to the Rear of Transmission (as shown)
	RX 330			
	RX 350	2007 - 2009	2GR	

TRANSMISSION MODEL	MODEL	MODEL YEAR	ENGINE	SERIAL NUMBER
U660#	ES 350	2007 - 2014	2GR	<b>Example: 12 A Z 0001 A</b> 12: Year of Manufacture A: Month of Manufacture (A - M, "I" not used) Z: Transmission Model Code 0001: 4-Digit Serial Number A: Remanufactured Service Digit Location: Top of Bell Housing Towards Front of Transmission - Serial Number will be Stamped in Transmission Case (as shown)
	RX 350	2010 - 2014		

