

Automatic Transmission Serial Number Location

Service Category Drivetrain

Section Automatic Transmission/Transaxle

Market USA

Scion Supports
 ASE Certification 

Applicability

YEAR(S)	MODEL(S)	ADDITIONAL INFORMATION
2006 – 2014	FR-S, iQ, tC, xA, xB	

REVISION NOTICE

September 30, 2014 Rev2:

- Applicability has been updated to include 2011 – 2014 model year vehicles.
- The Engine/Transmission Reference section has been updated.

October 13, 2009 Rev1:

- Applicability has been updated to include 2010 model year vehicles.

Any previous printed versions of this bulletin should be discarded.

SUPERSESSION NOTICE

The information contained in this bulletin supersedes SB No. TC012-06.

- Applicability has been updated to include 2008 – 2009 model year Scion tC, xB, and xD vehicles.

Service Bulletin No. TC012-06 is Obsolete and any printed versions should be discarded. Be sure to review the entire content of this bulletin before proceeding.

Introduction

The purpose of this bulletin is to assist in the identification and location of serial numbers on 2006 – 2014 model year automatic transmissions.

Automatic Transmission Serial Number Location

Introduction (Continued)

NOTE

- When writing a Field Technical and/or Product Report, the serial number **MUST** be provided.
- Warranty policy requires shipment of **ALL** replaced transmissions to AWTEC, even if the transmission is replaced with a new service unit.
- Warranty policy requires the Core Return Credit Request (CRCR) form be filled out correctly and returned with the core.
- Per Toyota Warranty Policy & Procedures "[Policy 4.23: OEM and Remanufactured Automatic Transmission Replacement](#)":
 - Whenever a remanufactured or OEM automatic transaxle/transmission is replaced, the serial number from the back of the failed component must be recorded on the repair order hard copy and entered in the "*Transmission Serial Number*" field which can be found on the "*Additional Information*" tab of the warranty claim. Serial numbers listed on the warranty claim are matched to the cores returned to AWTEC. Claims without a matching core will be debited back to the dealer.
 - If any non-hybrid OEM or remanufactured automatic transaxles/transmissions and/or torque converters inadvertently appear on the Scrap Report, or if the Part Recovery Request Screen "*Scrap Field*" indicates "Y," **DO NOT SCRAP THESE PARTS**. All OEM and remanufactured automatic transaxles/transmissions and torque converters are still required to be shipped to AWTEC for remanufacture.

Warranty Information

OP CODE	DESCRIPTION	TIME	OFP	T1	T2
N/A	Not Applicable to Warranty	-	-	-	-

Automatic Transmission Serial Number Location

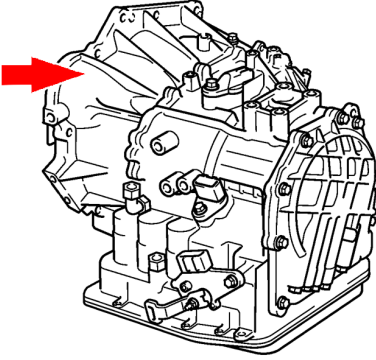
Engine/Transmission Reference

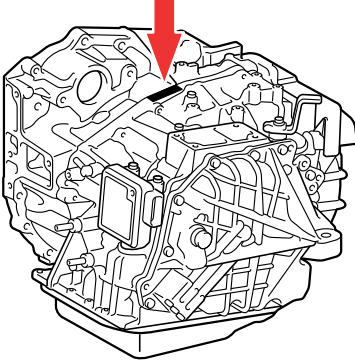
TRANSMISSION MODEL	MODEL	MODEL YEAR	ENGINE	SERIAL NUMBER
U24##	tC	2006 – 2010	2AZ	Example: 11 A Y 0 00001 11: Year of Manufacture A: Month of Manufacture (A - M, "I" not used) Y: Transmission Model Code 0: Plant Code 00001: 5-Digit Serial Number Location: Slightly Off-Center to the Left on Top of Bell Housing of Transmission (as shown)
	xB	2008 – 2014		

TRANSMISSION MODEL	MODEL	MODEL YEAR	ENGINE	SERIAL NUMBER
U34##	xA	2006	1NZ	Example: 6 F 00001 6: Year of Manufacture F: Month of Manufacture (A - M, "I" not used) 00001: 5-Digit Serial Number Location: Left Side of Transmission Bell Housing Roughly 3/4 Up (as shown)
	xB			

Automatic Transmission Serial Number Location

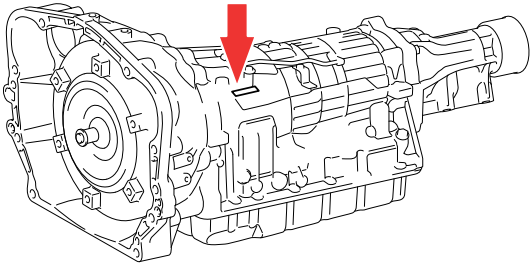
Engine/Transmission Reference (Continued)

TRANSMISSION MODEL	MODEL	MODEL YEAR	ENGINE	SERIAL NUMBER
U34##	xD	2008 – 2014	2ZR	Example: 11 F E0001 11: Year of Manufacture F: Month of Manufacture (A - M, "I" not used) E0001: 5-Digit Alpha-Numeric Serial Number Location: Left Side of Transmission Bell Housing Roughly 3/4 Up (as shown)
				

TRANSMISSION MODEL	MODEL	MODEL YEAR	ENGINE	SERIAL NUMBER
U760E	tC	2011 – 2014	2AR	Example: 2 0 T 14 C 00001 2: Plant Code 0: Transmission Model Code T: Line Code 14: Year of Manufacture C: Month of Manufacture 00001: 5-Digit Serial Number Location: Top of Bell Housing Towards Front of Transmission — Serial Number will be Stamped in Transmission Case (as shown)
				

Automatic Transmission Serial Number Location

Engine/Transmission Reference (Continued)

TRANSMISSION MODEL	MODEL	MODEL YEAR	ENGINE	SERIAL NUMBER
TX6A	FR-S	2013 – 2014	FA20	Example: 13 H TC 00001 13: Year of Manufacture H: Month of Manufacture (A - M, "I" not used) TC: Transmission Model Code 00001: 5-Digit Serial Number Location: Left Rear Section of Transmission Case Above Transmission Pan (as shown)
				

TRANSMISSION MODEL	MODEL	MODEL YEAR	ENGINE	SERIAL NUMBER
K41B	iQ	2012 – 2014	1NR	Example: 11 A BP 00001 11: Year of Manufacture A: Month of Manufacture (A - M, "I" not used) BP: Transmission Model Code 00001: 5-Digit Serial Number Location: Slightly Off-Center to Rear of Transmission (as shown)
