

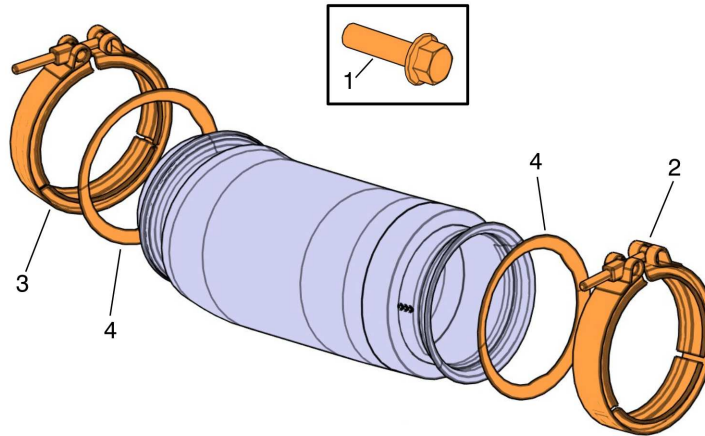
## Timing Gear Plate Screw, Installation VN, VHD, VAH

### **SP 215-021, Timing Gear Plate Screw, Installation**

**(April 2017)**

This service program is limited to vehicles with US2017 emission engines with build dates of October 3, 2016 to November 17, 2016. This repair requires the installation of a missing screw in the timing gear plate into the flywheel housing as the referenced in this installation procedure. Clean any silicon debris from the screw hole before installation of the missing screw is required. The inner fender and the exhaust pipe behind the diffuser will require removal to gain access to the timing gear plate. Additionally, replacement of the exhaust clamps and gaskets are required during the reinstallation of the diffuser pipe. Follow the installation procedure outlined in this Service Program (SP).

## Repair Parts



W2122410

| Timing Gear Plate Screw Installation Hardware |             |             |     |
|---|-------------|-------------|-----|
| Item  | Description | Part Number | Qty |
| 1   | Screw M8*30 | 984736      | 1   |
| 2   | V-clamp     | 21060426    | 1   |
| 3   | V-clamp     | 21021852    | 1   |
| 4   | Gasket      | 21095721    | 2   |

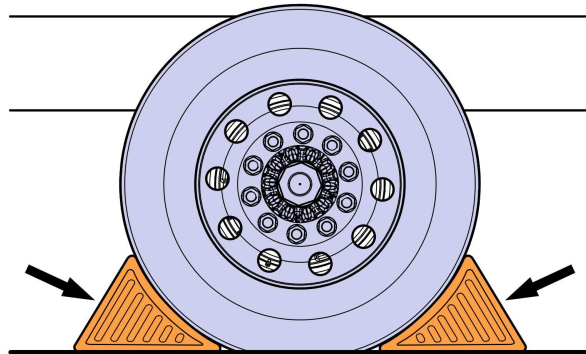
## Timing Gear Plate Screw Installation Procedure

You must read and understand the precautions and guidelines in Service Information, group 20, "General Safety Practices, Engines" before performing this procedure. If you are not properly trained and certified in this procedure, ask your supervisor for training before you perform it.

### **DANGER**

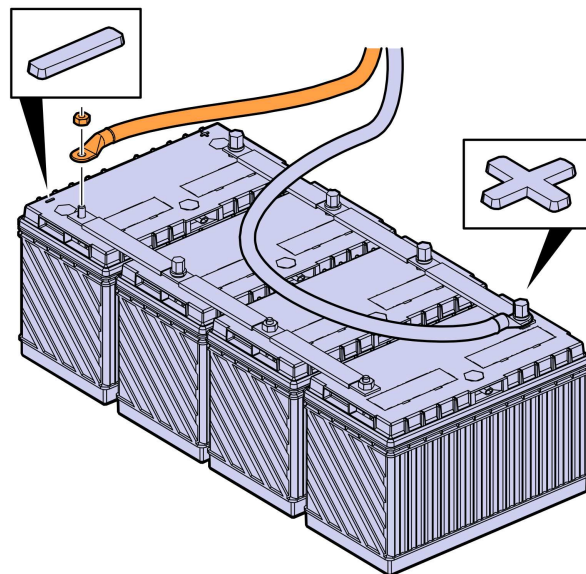
Do not attempt to repair or service this vehicle without having sufficient training, the correct service literature and the proper tools. Failure to follow this could make the vehicle unsafe and lead to serious personal injury or death.

- 1 Park the vehicle on a level surface and turn the front wheels to the left.
- 2 Apply the parking brake.
- 3 Place the transmission in neutral or park.
- 4 Install the wheel chocks.



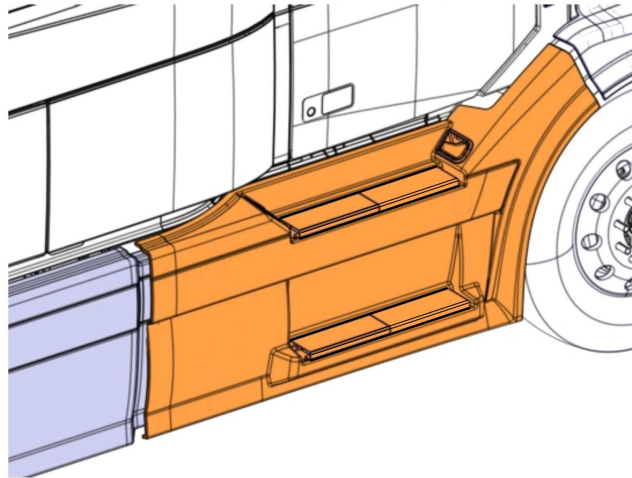
W7086748

- 5 Disconnect the cable from the battery's negative terminal.



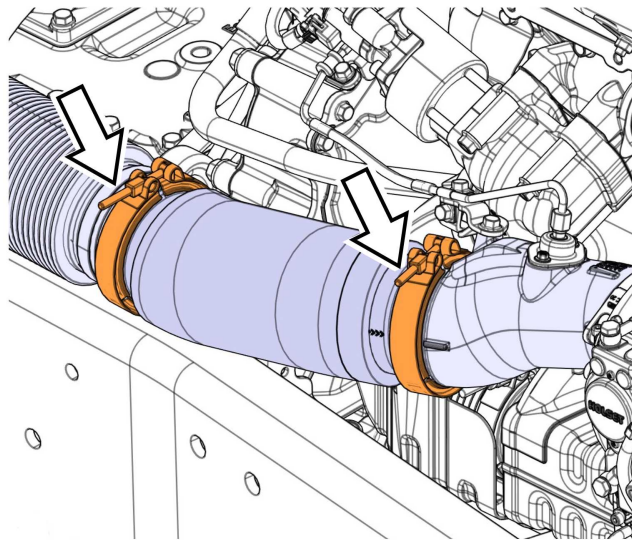
W3086747

- 6 Raise the hood.
- 7 If applicable, remove right side fairing and splash shield.



W7112726

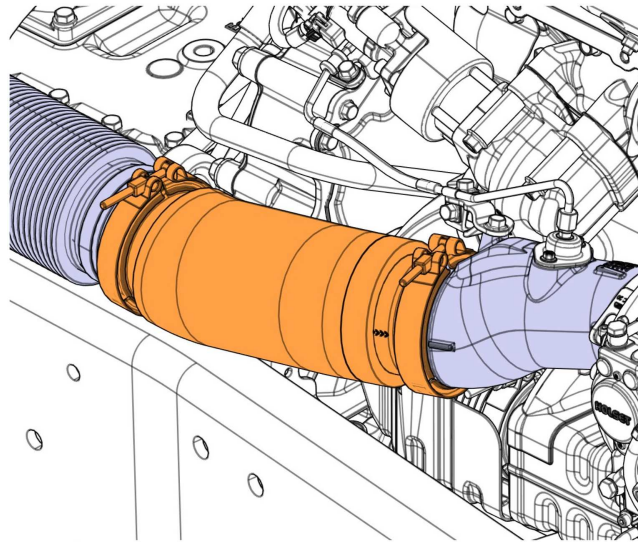
- 8 Loosen the clamps securing the exhaust pipe from the diffuser to the Diesel Particulate Filter (DPF) inlet pipe.



W2122411

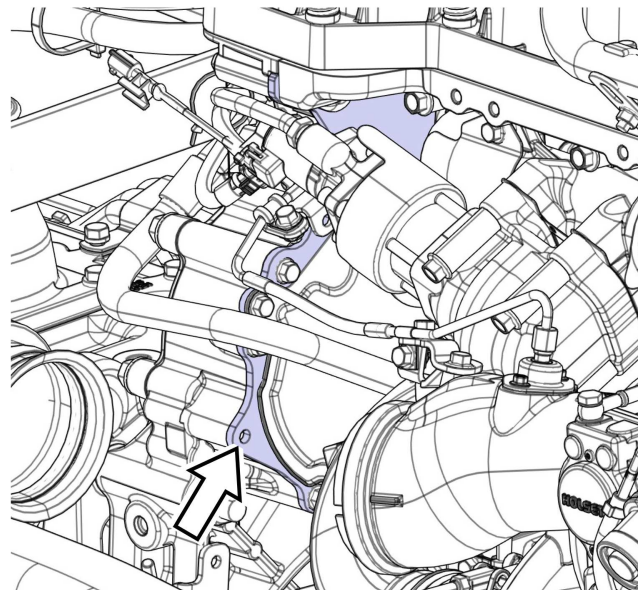
9 Remove the exhaust pipe, clamps and gaskets.

**Note:** Discard the clamps and gaskets, do not reuse.



W2122412

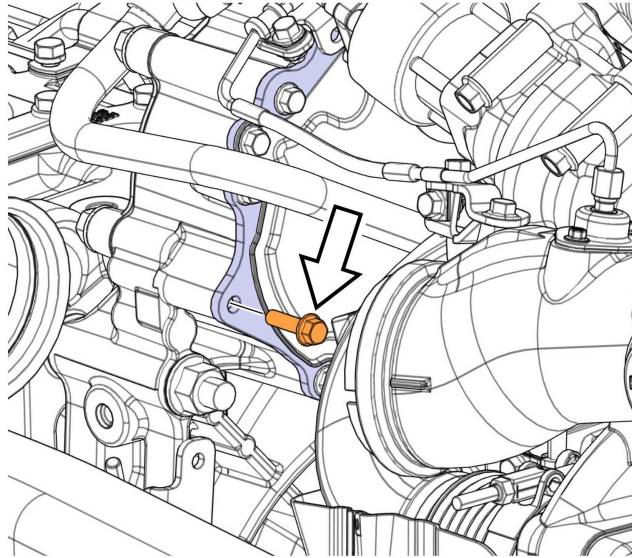
10 Check the screw hole for any silicone or debris and clean as needed.



W2122413

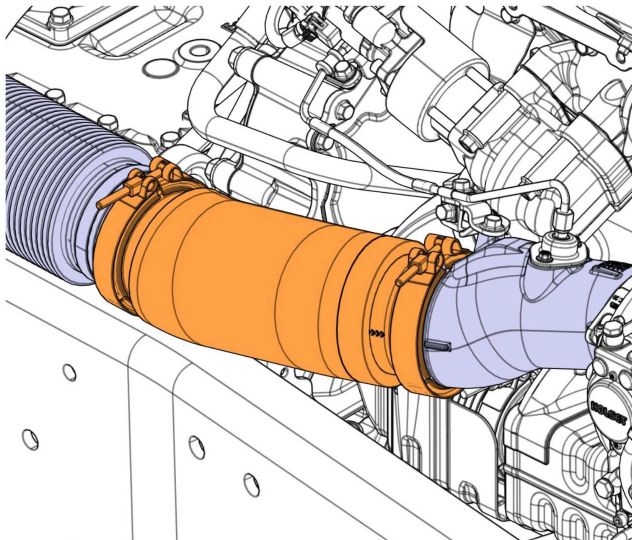
11 Install the missing screw in the timing gear plate.

12 Tighten the screw to  $24 \pm 4$  Nm ( $18 \pm 3$  ft-lb).



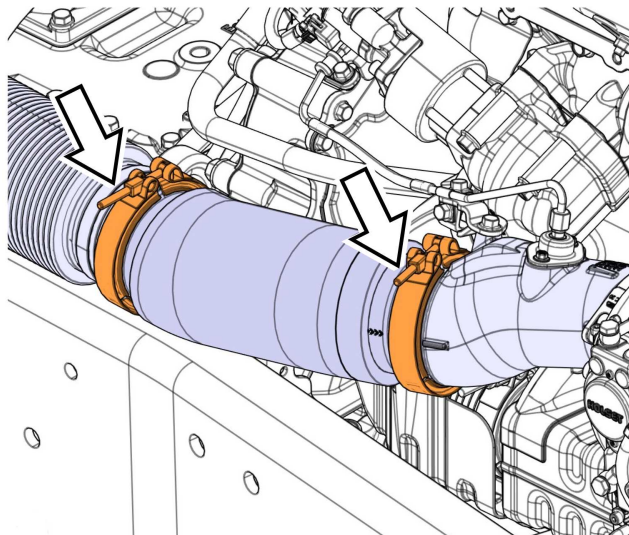
W2122414

13 Install the exhaust pipe with new gaskets and clamps.



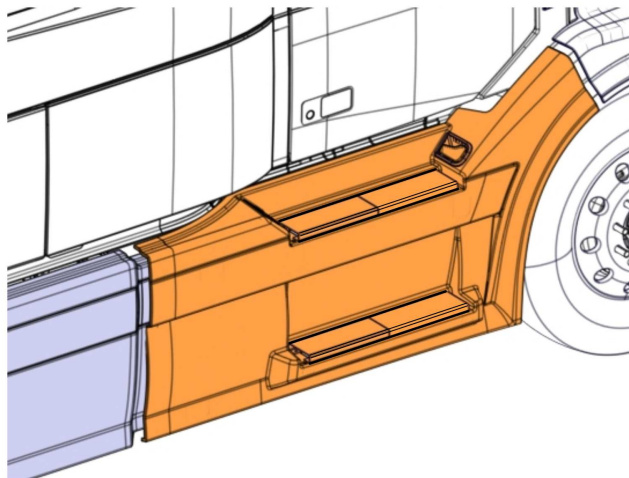
W2122412

14 Tighten the clamps to  $12 \pm 1$  Nm ( $9 \pm 1$  ft-lb).



W2122411

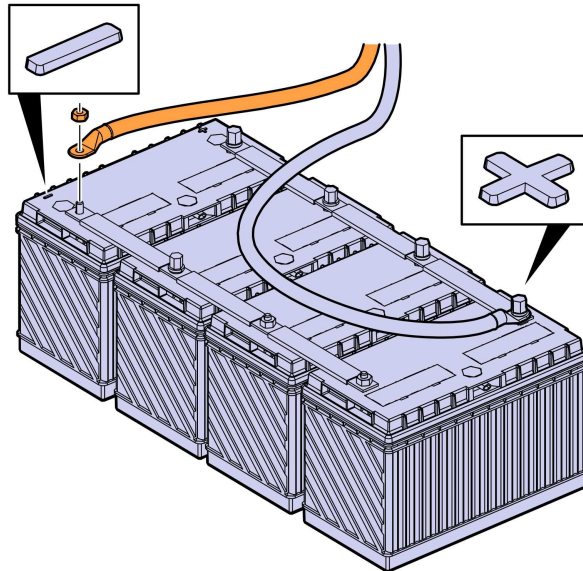
15 If applicable, install right side fairing and splash shield.



W7112726

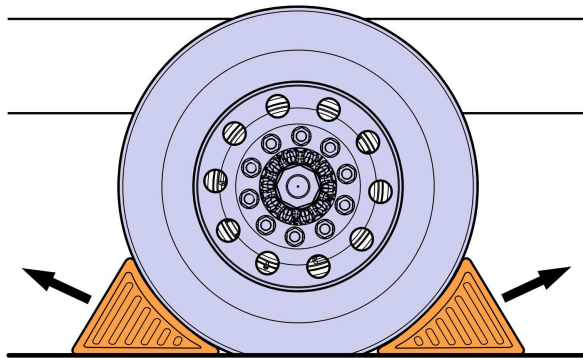
16 Close the hood.

17 Connect the battery cable to the negative (ground) terminal.



W3086747

18 Remove the wheel chocks.



W7086759



**Reimbursement**

|  |                             |
|--|-----------------------------|
| <b>This repair is covered by an authorized Service Program. Reimbursement is obtained via the normal claim handling process.</b> | <b>UCHP Reimbursement</b>   |
| <b>Recall Status</b>   |                             |
| Vehicle inspected, repair not required   | 1- Inspected OK             |
| Vehicle repaired per instruction   | 2- Modified per instruction |
| <b>Labor Code</b>  |                             |
| Primary Labor Code (Timing Gear Plate Screw, Installation)   | 2150-02-09-02<br>0.5 hrs    |
| Time to take charge and determine campaign status  | 1700-16-01-01<br>0.3 hrs    |
| <b>Causal Part</b>   | 984736                      |
| <b>SCC Code</b>  | S7164                       |
| <b>Authorization Number</b>  | N/A                         |
| <b>Expiration Date</b>   | 12-DEC-2017                 |

**Note:** Take Charge Time is not included in the Labor Code for this operation. Take charge may be eligible but can only be used once per repair visit. If vehicle is having other warranty repairs performed, take charge should be charged to the warranty repair, otherwise take charge can be charged to this service program.