

This Field Service Bulletin replaces bulletin "PV729-FSB385-001_V, Radio Antenna Filter, Installation" (USA77507) dated 6.2016.

Radio Antenna Filter, Installation
 VAH, VHD, VN

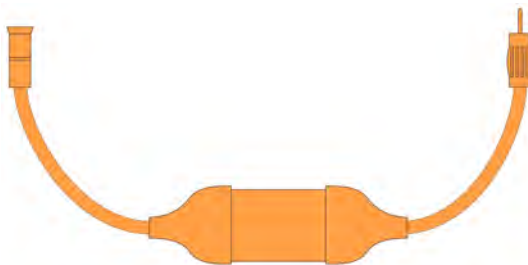
FSB 395-001, Radio Antenna Filter, Installation

(September 2016)

On some Volvo Trucks built between August 19, 2014 and August 19, 2016 possible audible feedback may occur while using the AM/FM bands when the CB microphone is keyed. Keying the microphone could also cut the volume of the radio when using the AM/FM bands. This issue has been caused by a filtering problem inside the radio. To correct the issue a filter should be installed using the following procedure.

Service personnel: Please circulate, read and initial

Service Manager	Warranty Administrator	Workshop Foreman	Service Technicians						



W3113665

Required Parts Radio Antenna Filter, Install

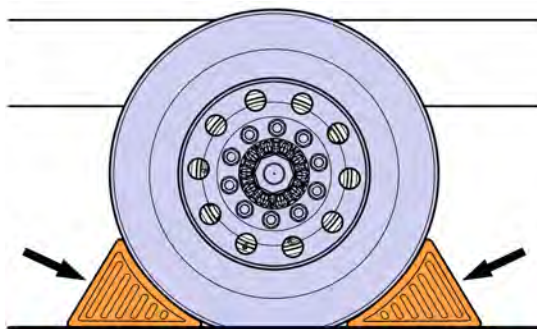
Item	Description	Part Number	Qty
1	Antenna Filter	22910138	1

Decommissioning the Truck for Repair

You must read and understand the precautions and guidelines in Service Information, group 30, "General Safety Practices, electrical" before performing this procedure. If you are not properly trained and certified in this procedure, ask your supervisor for training before you perform it.

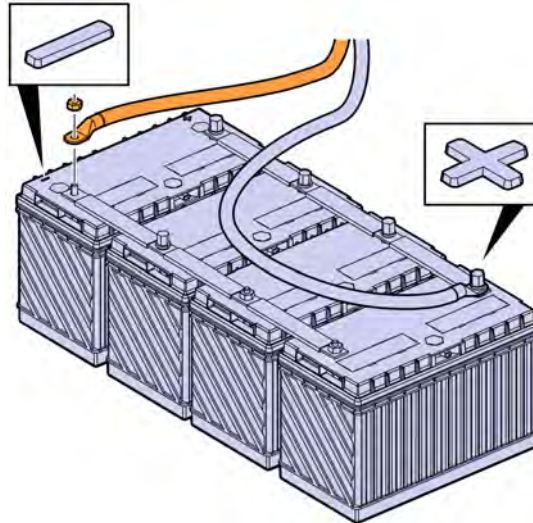
NOTE: Information is subject to change without notice. Illustrations are used for reference only and can differ slightly from the actual vehicle being serviced. However, key components addressed in this information are represented as accurately as possible.

- 1 Park the vehicle on a flat and level surface.
- 2 Apply the parking brake.
- 3 Place the transmission in neutral or park.
- 4 Install the wheel chocks on the front wheels.



W7086748

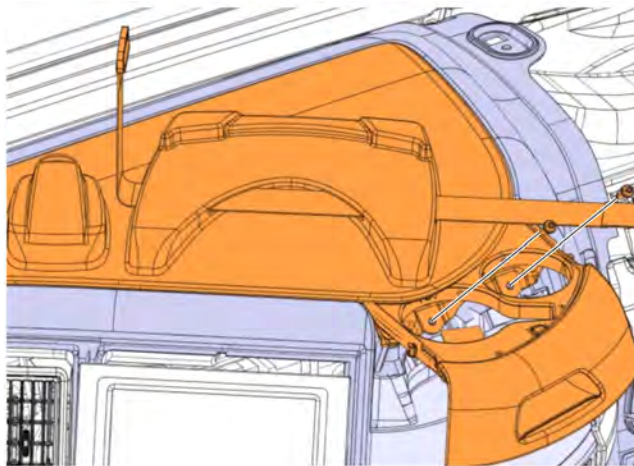
- 5 Disconnect the cable from the battery's negative terminal.



W3086747

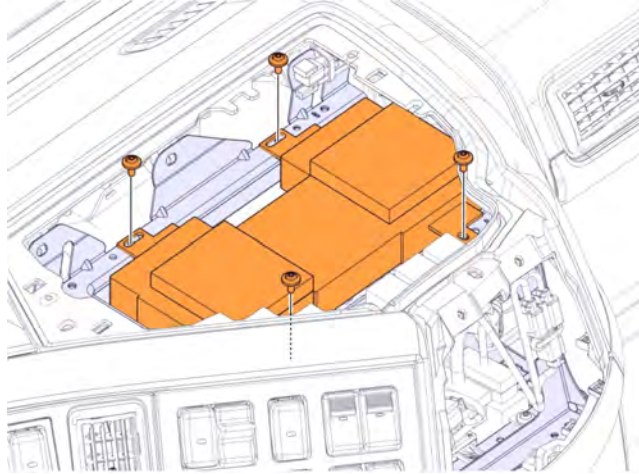
Radio Antenna Filter, Installation

- 1 Remove the screws holding the access panel in place and remove the top access panel.



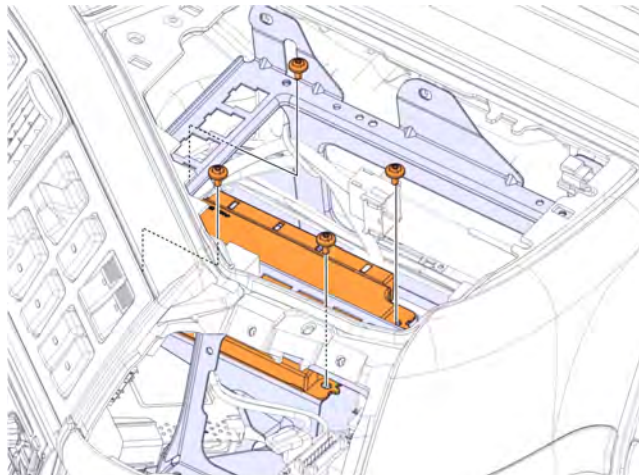
W8113747

- 2 Remove the screws holding the FRC and position it to allow access to the LCM..



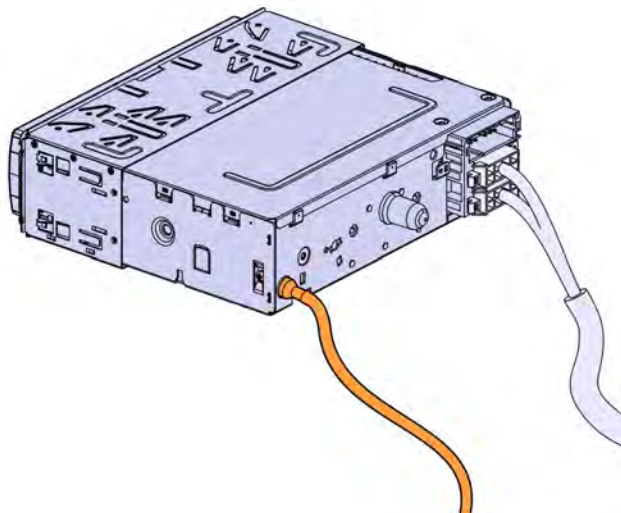
W3113764

- 3 Disconnect the connectors, remove the screws, and remove the LCM..



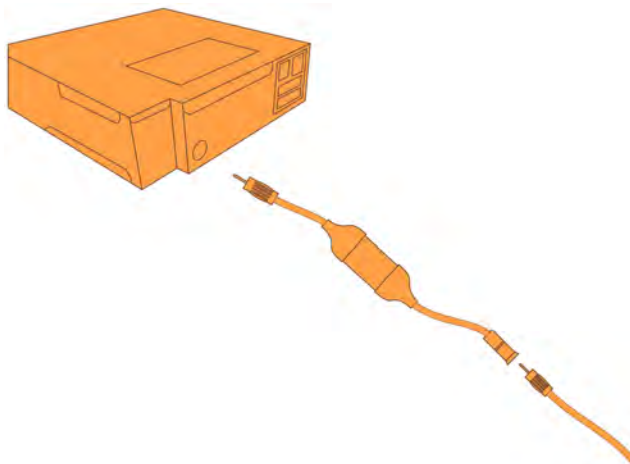
W3113767

4 Disconnect the radio antenna cable connector.



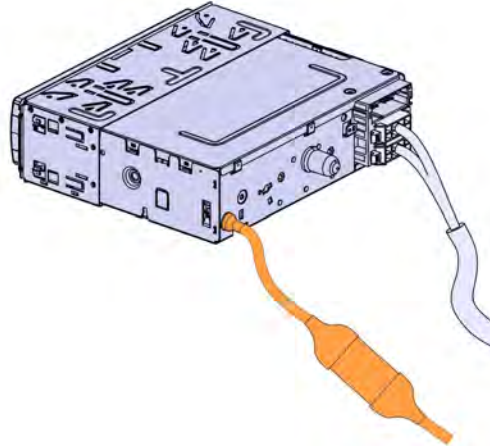
W3113736

5 Connector the radio antenna filter to the antenna cable.



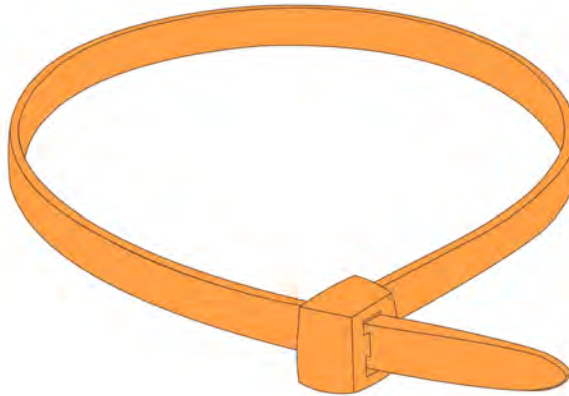
W3113733

6 Connect the antenna filter to the radio.



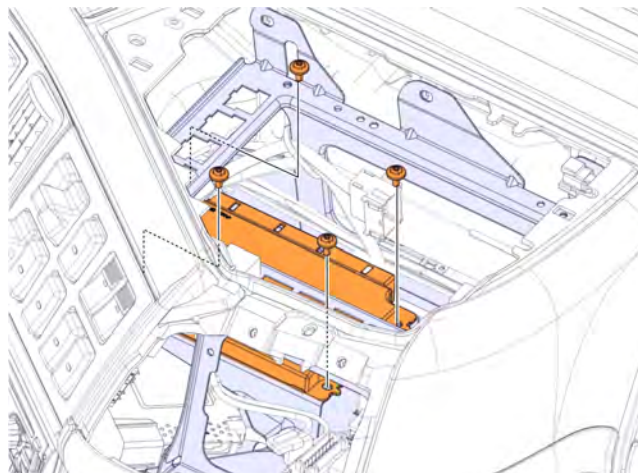
W3113792

7 Use cable ties to secure the radio antenna filter as necessary.



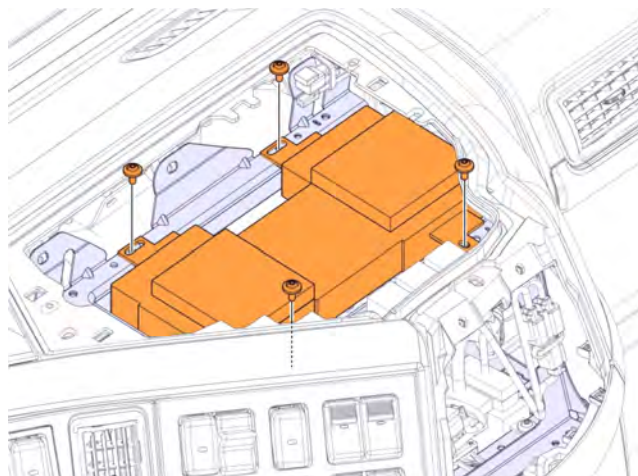
W0113768

- 8 Install the LCM, connect the connectors, and install and tighten the screws using hand tools.



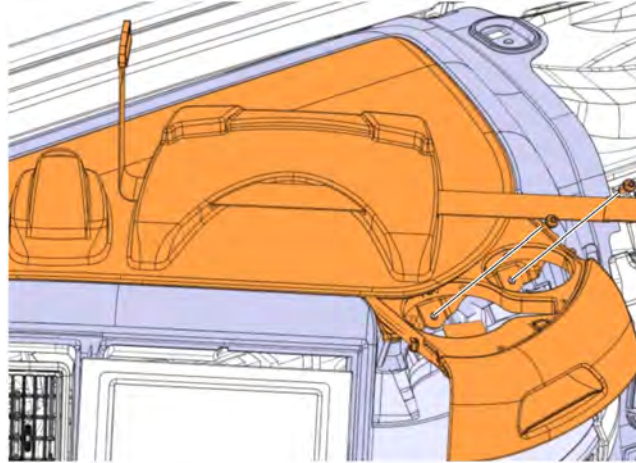
W3113767

- 9 Install the FRC and screws, then torque tighten the screws using hand tools..



W3113764

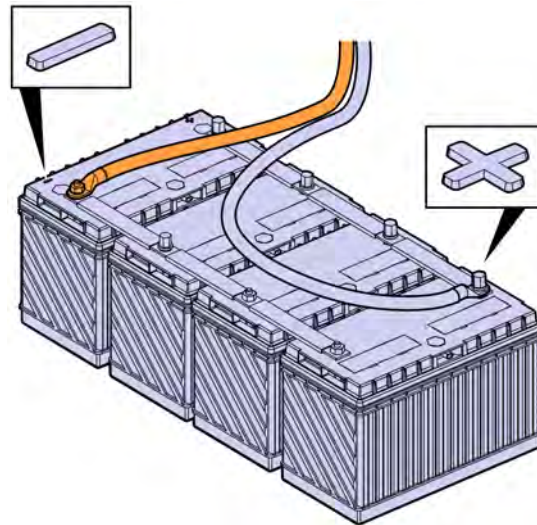
10 Install the access panel and install the access panel screws using hand tools..



W8113747

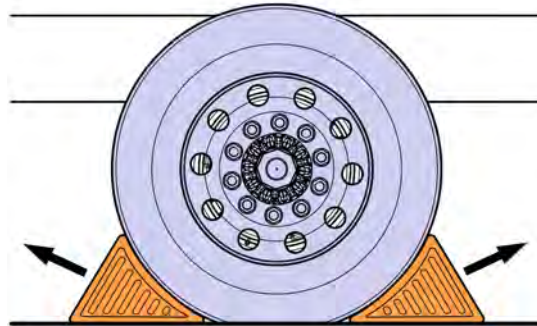
Commissioning the Truck for Operation

1 Connect the battery cable to the negative (ground) terminal.



W3086758

2 Remove the wheel chocks.



W7086759

Reimbursement

<p>This repair may be eligible for reimbursement if a product failure was experienced within time and mileage limits of the applicable Warranty coverage. Reimbursement is obtained via the normal claim handling process.</p>	<p>UCHP Reimbursement</p>
<p>Claim Type (used only when uploading from the Dealer Bus. Sys.)</p>	<p>W</p>
<p>Labor Code</p>	<p style="background-color: #cccccc;"></p>
<p>Primary Labor Code (Radio Antenna Filter, Installation)</p>	<p>3952-02-09-01 0.5 hrs.</p>
<p>Causal Part</p>	<p>22659647, 22659648, 22659649, 22659650, 22659651</p>

VOLVO Trucks North America reserves the right to make any changes in design or to make additions to or upon its products without incurring any obligations to install the same on vehicles previously built.