

Bulletin Type.....: Field Fix (M)
Bulletin No.....: TS-M119
Bulletin Name.....: Hydraulic Hoses Of Ras System
Bulletin Ref No.....: 700003210
NHTSA.....:
Release Date.....: 20.06.2017
Expiry Date.....: 20.06.2018
Vehicle Model.....: TS45
Fiat Rate Code.....: TSM119
Flat Rate Time.....: 180'

Subject: TS45 Tag Axle RAS system hydraulic hose replacement

Summary: This technical service bulletin gives instruction about how to replace the hydraulic hoses of TS45 tag axle RAS system

BulletinResponsible: Erkan DEDE

Publishedby&Approvedby: Hakan GÜNERDEM

Welding on theChassis

- Alwaysdisconnectthebatteries (startingwiththenegativelead).
- Disconnecttheconnectors of electricalandelectronic equipment (electroniccontrolunits, sensorsandactuators) iftheyarelessthan 2 metersawayfromthechassispartto be weldedorthearth terminal of theweldingequipment.
- Theearth terminal shouldnever be attachedtovehiclecomponentssuch as engine, axlesandsprings. Arcing on these parts is not permitted, because of the risk of damagetobearings, springs, etc.
- Theearth terminal mustmakegoodcontactand be placed as close as possibletothepartto be welded.
- Plasticpipes, rubberpartsandparabolicspringsshould be wellprotectedagainstweldingspatterandtemperatures higherthan 70°.
- Thecontactswitchmust not be in theaccessoryorcontactposition. Thecontactkeyshould be removed.

Service bulletin expiry dates differ according to service bulletin type.

Definitions

Release Date: As of this date the bulletin is released and available on E-Doc. Modification parts can be ordered. The time period between the release date and the effective date may vary according to the procurement lead time.

Effective Date: As of this date specified amount of the total modification parts will be available on Spare Parts Stock. Modification parts can be ordered and the application can be performed. (except non-compliance and safety related campaigns, i.e. S-Type Bulletin)

Part Order Deadline: Last order date for modification parts. The part orders which will be placed after this date should be approved by Regional Coordinator.

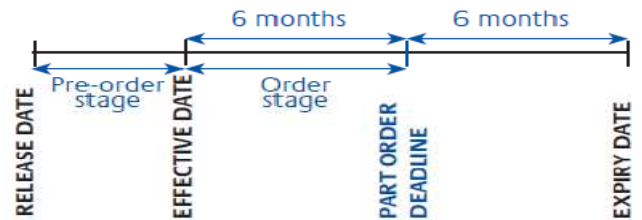
Expiry Date: Expiration date for the application.

Bulletin Types

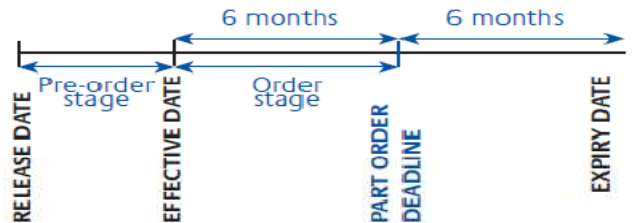
- **S-Type:** Application period of this bulletin is 18 months after the date of issue. S type bulletin is used for Recall Campaigns.



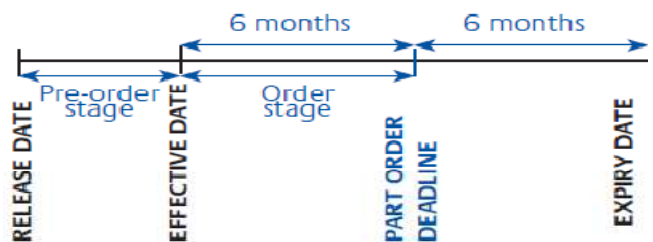
- **U-Type:** Application period of this bulletin is 12 months after the date of issue. U type bulletin is used for updates that need to be performed upon customer complaints.



- **C-Type:** Application period of this bulletin is 12 months after the date of issue. C type bulletin is generally used for supplying technical instructions or other type of information to service network.

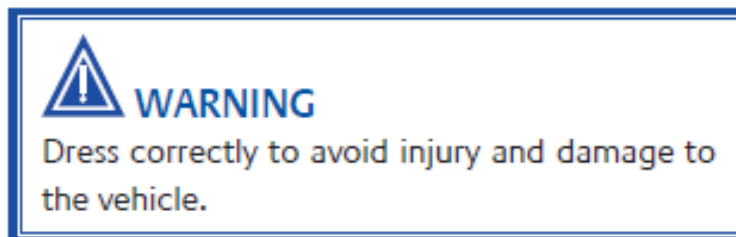


- **M-Type:** Application period of this bulletin is 12 months after the date of issue. M type bulletin is used for updates that should be implemented without waiting for customer complaints.



GENERAL PRECAUTIONS

1. Suggested Dress Code:






2. Before Starting the Work:

Always wear protective clothing. Do not wear any damaged or loose-fitting clothing and remove jewelry before starting the work. In case of long hair use hairnet. The illustration above shows some of the correct and incorrect clothing that should be worn during work. Sharp edges should be avoided e.g belts, watches, necklaces etc.




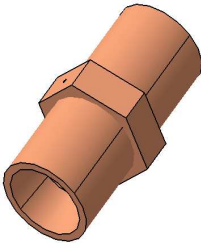
3. Interior materials protection:

Seats, trimming, upholstery stuff and carpeting should be protected with appropriate coverings.

Included Parts List

No	Part No	Part Name	PICTURE	Qty	Unit Of Measure
1	9630-32Y	STEERING SYS. HOSE		1	PIECE
2	9630-33Y	STEERING SYS. HOSE		1	PIECE
3	9630-34Y	STEERING SYS. HOSE		1	PIECE

Excluded Parts List

No	Part No	Part Name	PICTURE	Qty	Unit Of Measure
1	9630-04Y	STEERING SYS. HOSE		1	PIECE
2	9630-05Y	STEERING SYS. HOSE		1	PIECE
3	9630-06Y	STEERING SYS. HOSE		1	PIECE
4	61102-90000-25	STRAIGHT UNION		3	PIECE

Application:

- 1- Pull the vehicle to the pit or lift.
- 2- Figure-1 shows the working area and hoses with the red arrows which will be changed with the new ones.

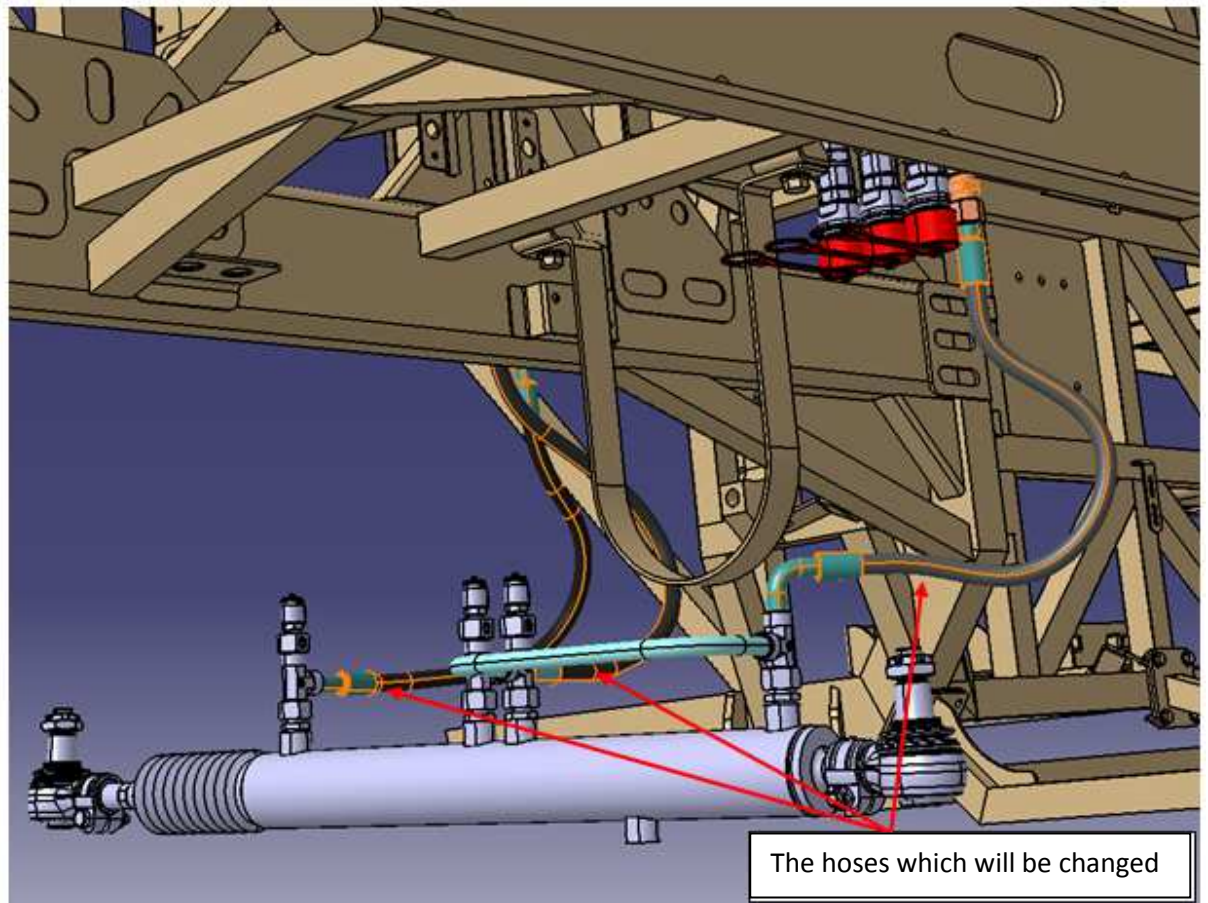


Figure-1

SERVICE BULLETIN

NOTE: The RAS System hydraulic line pressure is approximately 18 bar (261 Psi). In this regard, be careful when you work on the RAS system hydraulic line. Before starting the disassembly process, decrease the system pressure by using test point connectors which is marked with red arrows on Figure-2.

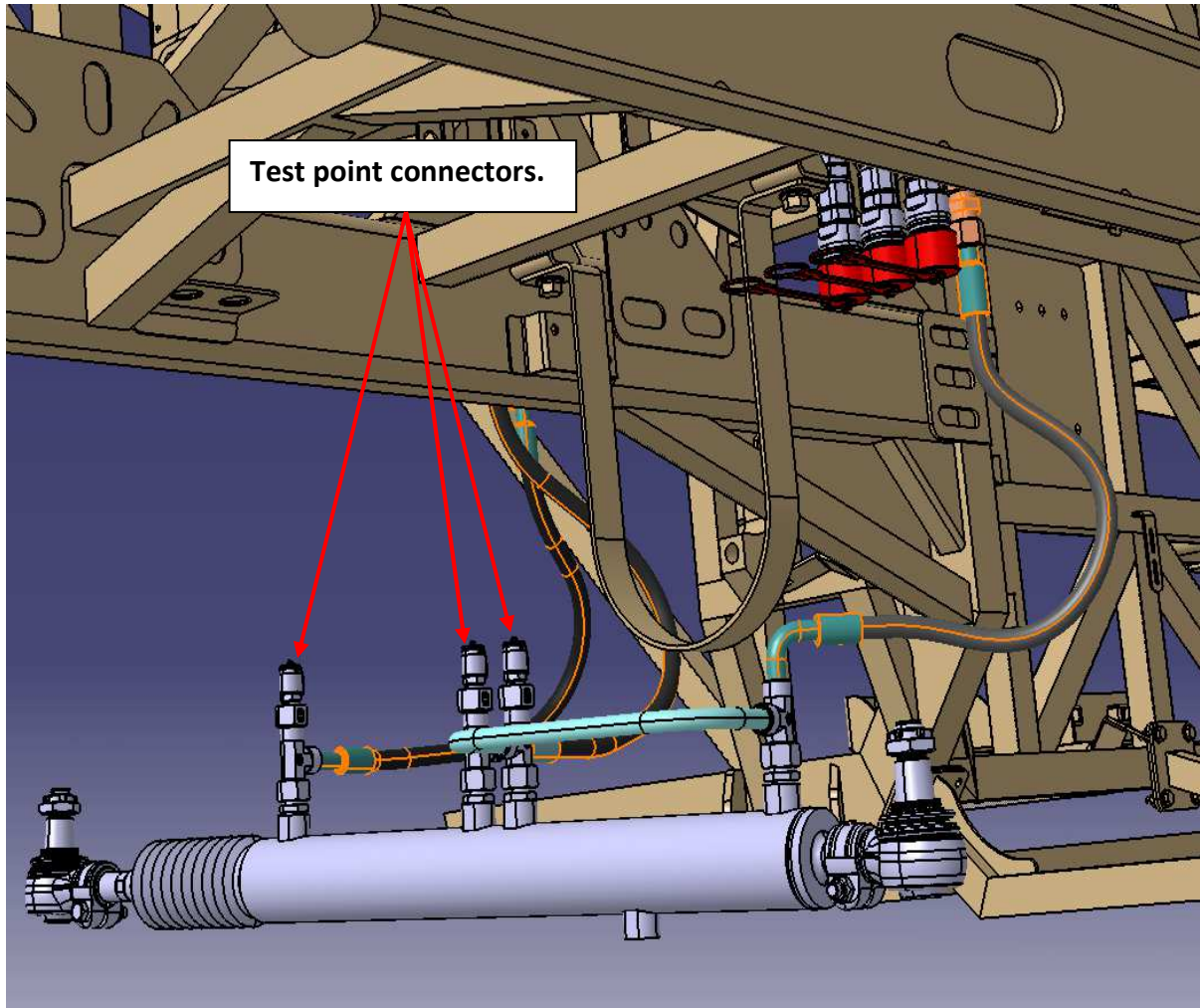


Figure-2

3. Dismount the 9630-06Y hose and 61102-90000-25 straight union then mount the 9630-34Y hose as replacement of these parts (see the Figure-3).

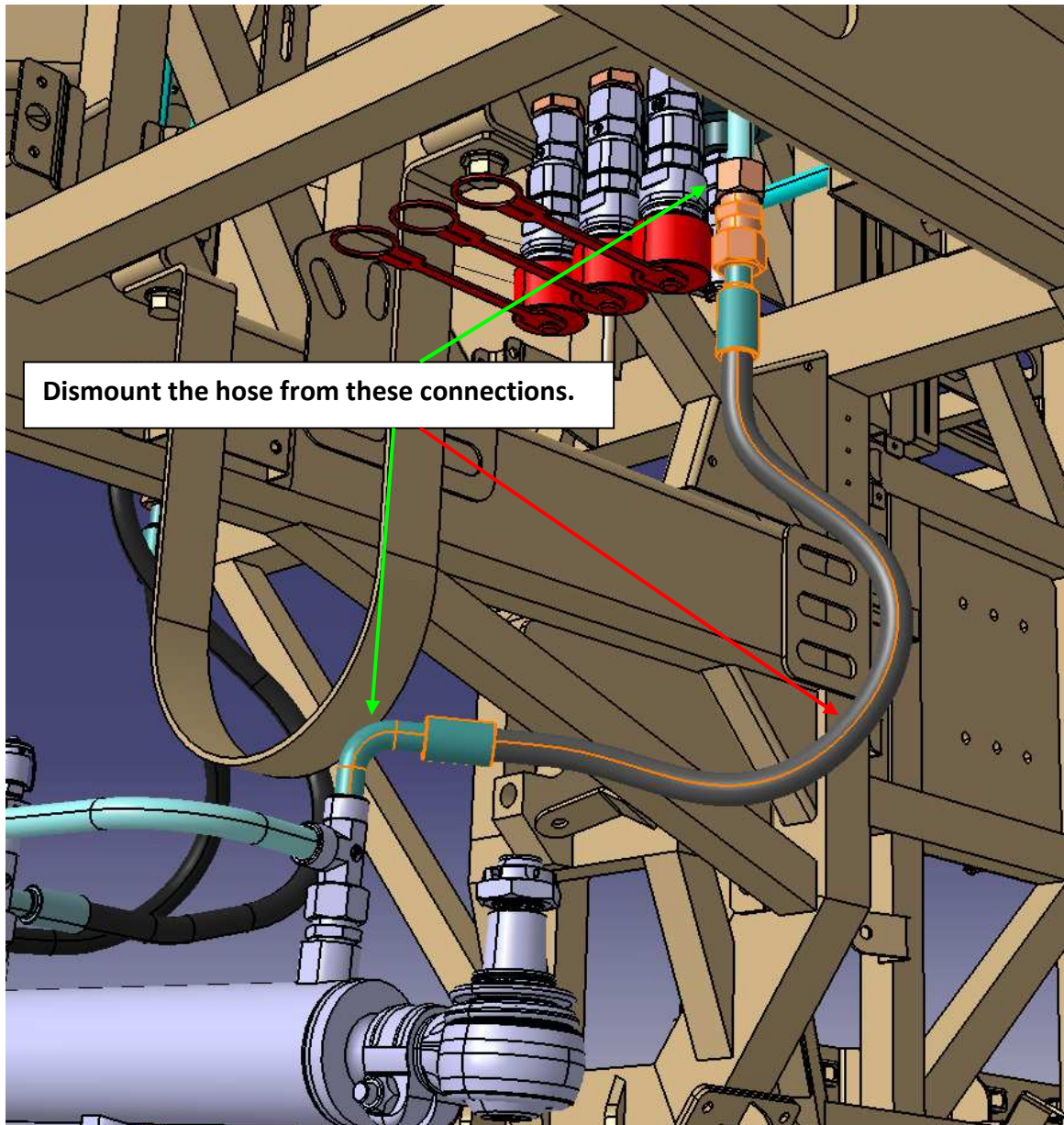


Figure-3

SERVICE BULLETIN

4. Dismount the 9630-04Y hose and 61102-90000-25 straight union then mount the 9630-32Y hose as replacement of these parts. (see the Figure-4)

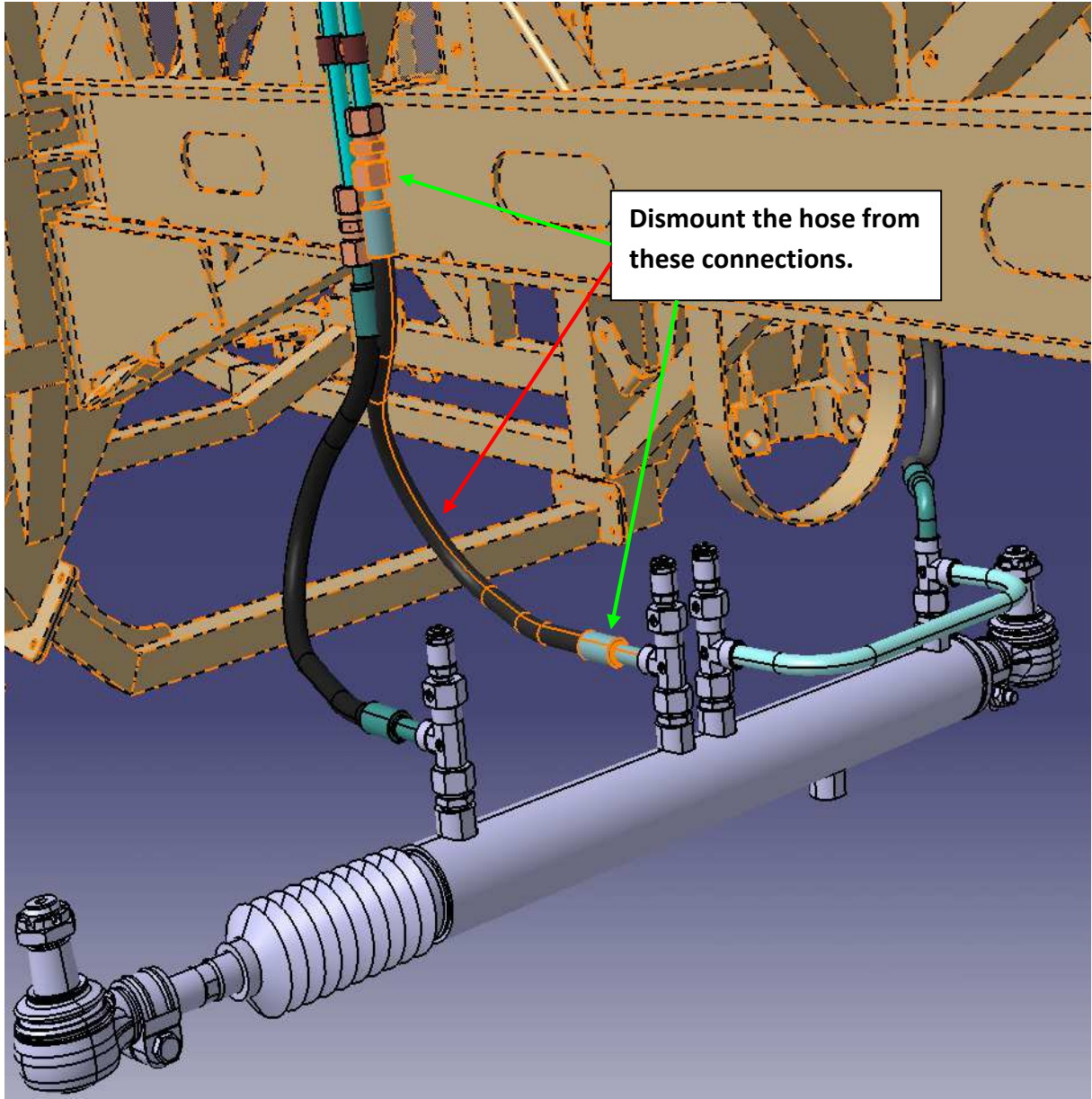


Figure-4

5. Dismount the 9630-05Y hose and 61102-90000-25 straight union then mount the 9630-33Y hose as replacement of these parts.(see the Figure-5)

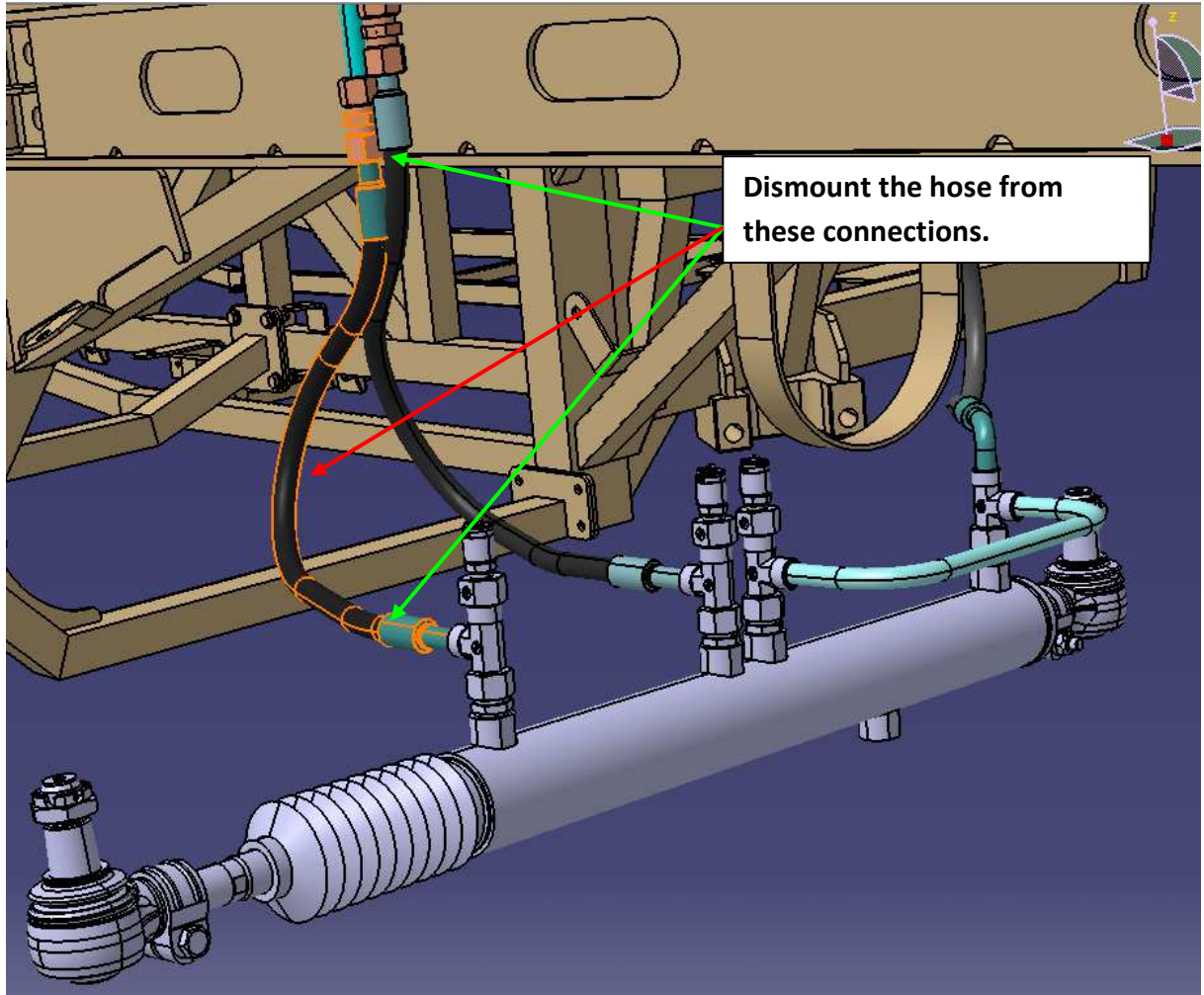


Figure-5

6. After the assembly process, check the connection of the hoses if there is any leakage. Refill the RAS system oil, which has 18 bar (261 Psi) working pressure, with suitable oil pump according to Appendix-1".

"Appendix-1: RAS system bleeding procedure

RATE BREAK DOWN

Application	Time
1- Assembly preparation.	15
2- Dismount old hoses and mount the new hoses.	45
3- Refilling & Bleeding procedures. (According to Appendix-1)	120
Total Time	180

Affected Vehicle List

No	VIN	Country
1	NLTEJXU83E1000004	USA
2	NLTEJXU85E1000005	USA
3	NLTEJXU85F1000006	USA
4	NLTEJXU89F1000008	USA
5	NLTEJXU87F1000007	USA
6	NLTEJXU87F1000010	USA
7	NLTEJXU80F1000009	USA
8	NLTEJXU84F1000014	USA
9	NLTEJXU82F1000013	USA
10	NLTEJXU80F1000012	USA
11	NLTEJXU89F1000011	USA
12	NLTEJXU8XF1000017	USA
13	NLTEJXU86F1000015	USA
14	NLTEJXU81F1000021	USA
15	NLTEJXU8XF1000020	USA
16	NLTEJXU83F1000019	USA
17	NLTEJXU81F1000018	USA
18	NLTEJXU88F1000016	USA
19	NLTEJXU86F1000029	USA
20	NLTEJXU85F1000023	USA
21	NLTEJXU83F1000022	USA
22	NLTEJXU82F1000030	USA
23	NLTEJXU84F1000028	USA
24	NLTEJXU82F1000027	USA

SERVICE BULLETIN

25	NLTEJXU80F1000026	USA
26	NLTEJXU87F1000024	USA
27	NLTEJXU87F1000038	USA
28	NLTEJXU81F1000035	USA
29	NLTEJXU88F1000033	USA
30	NLTEJXU86F1000032	USA
31	NLTEJXU84F1000031	USA
32	NLTEJXU89F1000025	USA
33	NLTEJXU87F1000041	USA
34	NLTEJXU85F1000040	USA
35	NLTEJXU89F1000039	USA
36	NLTEJXU85F1000037	USA
37	NLTEJXU83F1000036	USA
38	NLTEJXU8XF1000034	USA
39	NLTEJXU88F1000050	USA
40	NLTEJXU86F1000046	USA
41	NLTEJXU84F1000045	USA
42	NLTEJXU80F1000043	USA
43	NLTEJXU89F1000042	USA
44	NLTEJXU89F1000056	USA
45	NLTEJXU87F1000055	USA
46	NLTEJXU85F1000054	USA
47	NLTEJXU83F1000053	USA
48	NLTEJXU81F1000052	USA
49	NLTEJXU8XF1000051	USA
50	NLTEJXU81F1000049	USA
51	NLTEJXU8XF1000048	USA
52	NLTEJXU88F1000047	USA
53	NLTEJXU82F1000044	USA
54	NLTEJXU80F1000057	USA
55	NLTEJXX86G1000061	USA
56	NLTEJXX84G1000060	USA
57	NLTEJXU84F1000059	USA
58	NLTEJXU82F1000058	USA
59	NLTEJXX88G1000062	USA
60	NLTEJXX83G1000065	USA
61	NLTEJXX81G1000064	USA
62	NLTEJXX8XG1000063	USA
63	NLTEJXX85G1000066	USA
64	NLTEJXX80G1000072	USA
65	NLTEJXX89G1000071	USA
66	NLTEJXX87G1000070	USA
67	NLTEJXX80G1000069	USA

SERVICE BULLETIN

68	NLTEJXX89G1000068	USA
69	NLTEJXX87G1000067	USA
70	NLTEJXX86G1000075	USA
71	NLTEJXX84G1000074	USA
72	NLTEJXX82G1000073	USA
73	NLTEJXX81G1000078	USA
74	NLTEJXX8XG1000077	USA
75	NLTEJXX81G1000081	USA
76	NLTEJXX8XG1000080	USA
77	NLTEJXX83G1000079	USA
78	NLTEJXX85G1000083	USA
79	NLTEJXX83G1000082	USA
80	NLTEJXX86G1000092	USA
81	NLTEJXX89G1000085	USA
82	NLTEJXX84G1000088	USA
83	NLTEJXX80G1000086	USA
84	NLTEJXX83G1000096	USA
85	NLTEJXX81G1000095	USA
86	NLTEJXX8XG1000094	USA
87	NLTEJXX88G1000093	USA
88	NLTEJXX84G1000091	USA
89	NLTEJXX82G1000090	USA
90	NLTEJXX86G1000089	USA
91	NLTEJXX82G1000087	USA
92	NLTEJXX81G1000100	USA
93	NLTEJXX89G1000099	USA
94	NLTEJXX87G1000098	USA
95	NLTEJXX85G1000097	USA
96	NLTEJXX87G1000103	USA
97	NLTEJXX85G1000102	USA
98	NLTEJXX83G1000101	USA
99	NLTEJXX87G1000084	USA
100	NLTEJXX89G1000104	USA
101	NLTEJXY8XG1000076	USA
102	NLTEJXX86G1000111	USA
103	NLTEJXX84G1000110	USA
104	NLTEJXX86G1000108	USA
105	NLTEJXX84G1000107	USA
106	NLTEJXX82G1000106	USA
107	NLTEJXX80G1000105	USA
108	NLTEJXX80G1000119	USA
109	NLTEJXX89G1000118	USA
110	NLTEJXX87G1000117	USA

SERVICE BULLETIN

111	NLTEJXX85G1000116	USA
112	NLTEJXX83G1000115	USA
113	NLTEJXX81G1000114	USA
114	NLTEJXX8XG1000113	USA
115	NLTEJXX88G1000112	USA
116	NLTEJXX87G1000120	USA
117	NLTEJXX88G1000109	USA
118	NLTEJXY8XG1000126	USA
119	NLTEJXY84G1000123	USA
120	NLTEJXY82G1000122	USA
121	NLTEJXY80G1000121	USA
122	NLTEJXY85G1000129	USA
123	NLTEJXY83G1000128	USA
124	NLTEJXY81G1000127	USA
125	NLTEJXY86G1000124	USA
126	NLTEJXY88G1000125	USA
127	NLTEJXY82H1000137	USA
128	NLTEJXY83H1000132	USA
129	NLTEJXY81H1000131	USA
130	NLTEJXY82H1000140	USA
131	NLTEJXY86H1000139	USA
132	NLTEJXY84H1000138	USA
133	NLTEJXY87H1000134	USA
134	NLTEJXY8XH1000130	USA
135	NLTEJXY80H1000136	USA
136	NLTEJXY89H1000135	USA
137	NLTEJXY85H1000133	USA