

Reference	SSM73054
Models	F-PACE / X761
Title	F-Pace - (X761) Additional diagnosis for intermittent non-start (Loose Ground Point)
Category	Electrical
Last modified	16-Nov-2016 00:00:00
Symptom	203000 Basic Electrical
Attachments	Earth loaction 2.pdf (Earth loaction 2.pdf) Earth location.pdf (Earth location.pdf)

Content**Issue**

Customer may complain that vehicle has intermittent non-start

Cause

Fixing at Ground Point G1D131 may not be tightened sufficiently

Action:

Locate ground point G1D131 in driver's footwell see location pictures. If nut is loose remove it, clean and re tighten to 12nm. If this does not resolve the customer issue, continue with diagnostics.

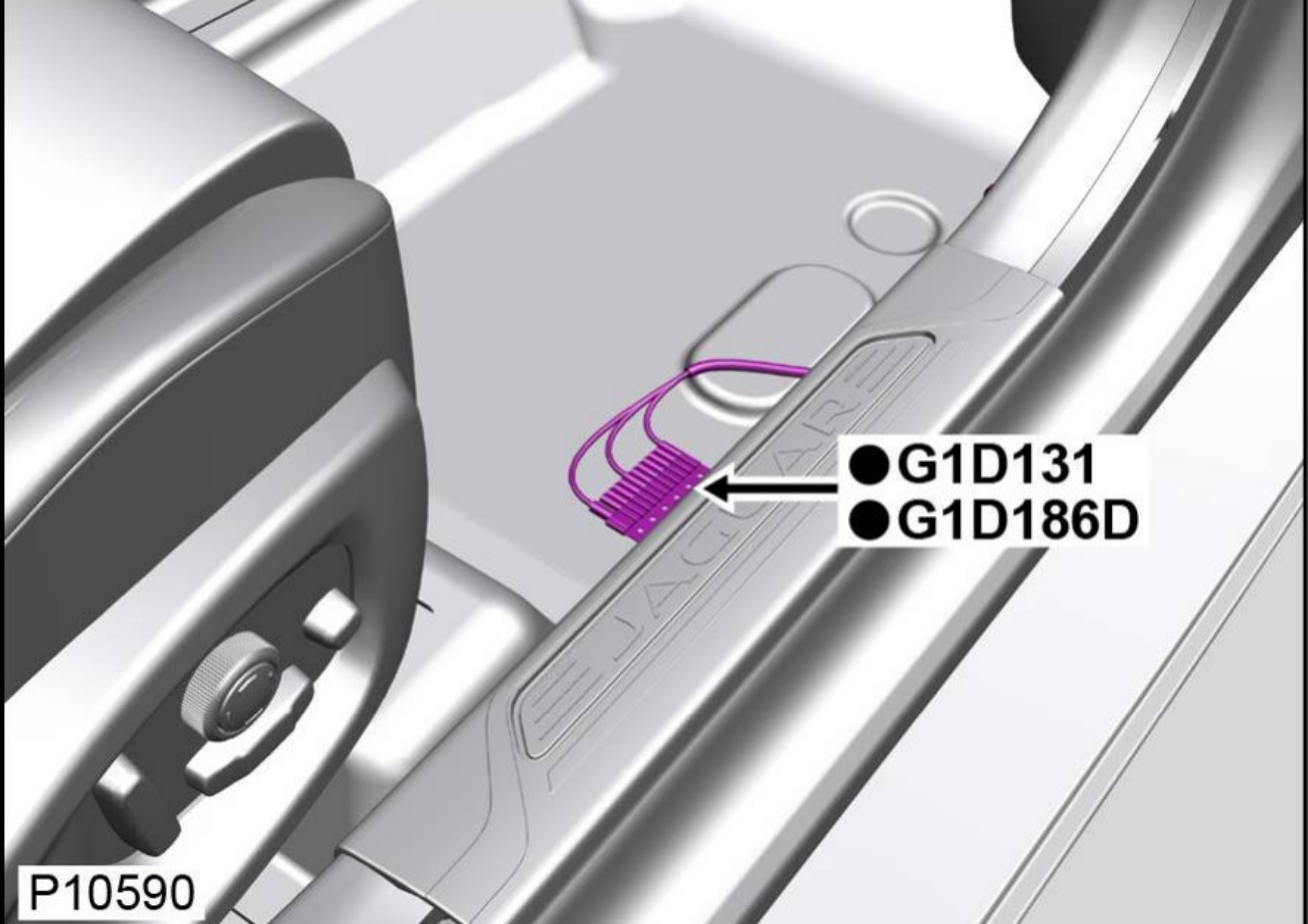
Note assured vin from DC093670

Technicians - Please rate this SSM and provide comments so that future communications can be improved.

1 = Poor – Basic information provided – The SSM does not help me resolve the customer concern.

3 = Average – Adequate information provided – The SSM partially helps me resolve the customer concern.

5 = Excellent – All required information provided to resolve the customer concern.



- G1D131
- G1D186D

P10590

