

TECHNICAL INSTRUCTIONS

FOR

LIMITED SERVICE CAMPAIGN CSV PHASE

CERTAIN 2001 THROUGH 2004 MODEL YEAR TACOMA

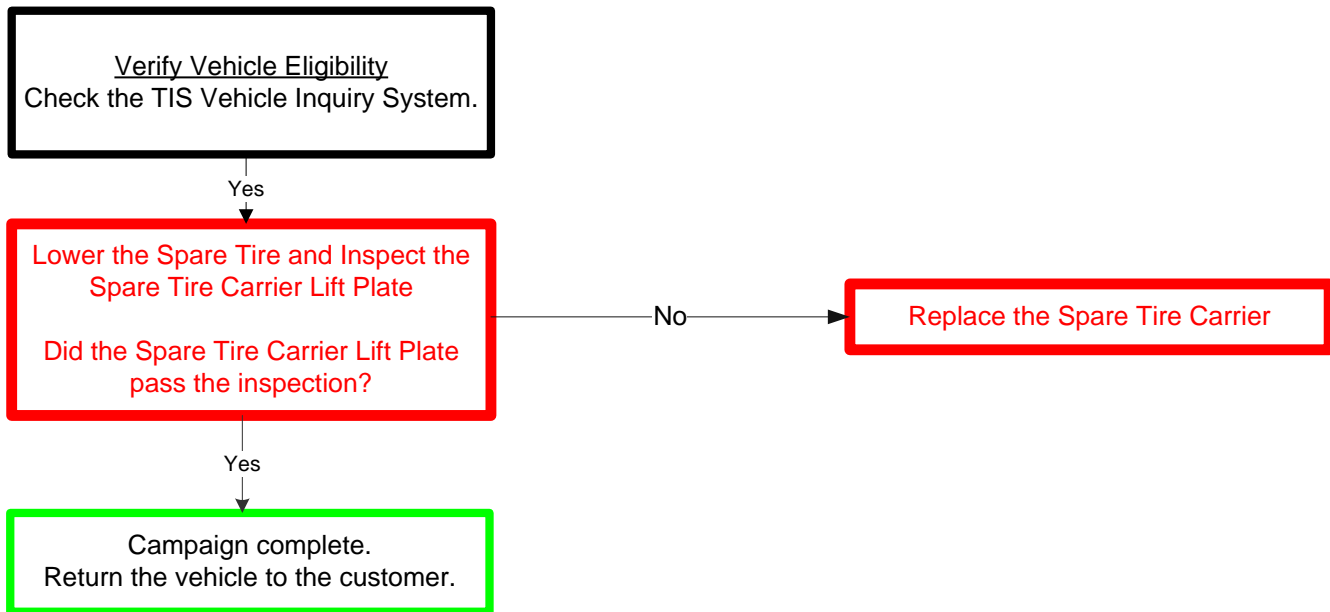
CURRENTLY REGISTERED OUTSIDE OF THE 20 COLD CLIMATE STATES

SPARE TIRE CARRIER INSPECTION/REPLACEMENT

The repair quality of covered vehicles is extremely important to Toyota. All dealership technicians performing this LSC are required to successfully complete the most current version of the E-Learning course "Safety Recall and Service Campaign Essentials". To ensure that all vehicles have the repair performed correctly; technicians performing this LSC repair are required to currently hold at least one of the following certification levels:

- Toyota Certified (Any Specialty)
- Toyota Expert (Any Specialty)
- Master
- Master Diagnostic Technicians

I. OPERATION FLOW CHART



II. IDENTIFICATION OF AFFECTED VEHICLES

- Check the TIS Vehicle Inquiry System to confirm the VIN is involved in this Safety Recall Campaign, and that the campaign has not already been completed prior to dealer shipment or by another dealer.
- TMS warranty will not reimburse dealers for repairs conducted on vehicles that are not affected or were completed by another dealer.

III. PREPARATION

A. PARTS

Part Number	Part Description	Quantity
04002-11104	Spare Tire Carrier Kit (2WD Non PreRunner)	1
04002-11204	Spare Tire Carrier Kit (4WD and PreRunner)	1
90080-11180	Bolt w/Washer	4

B. TOOLS & EQUIPMENT

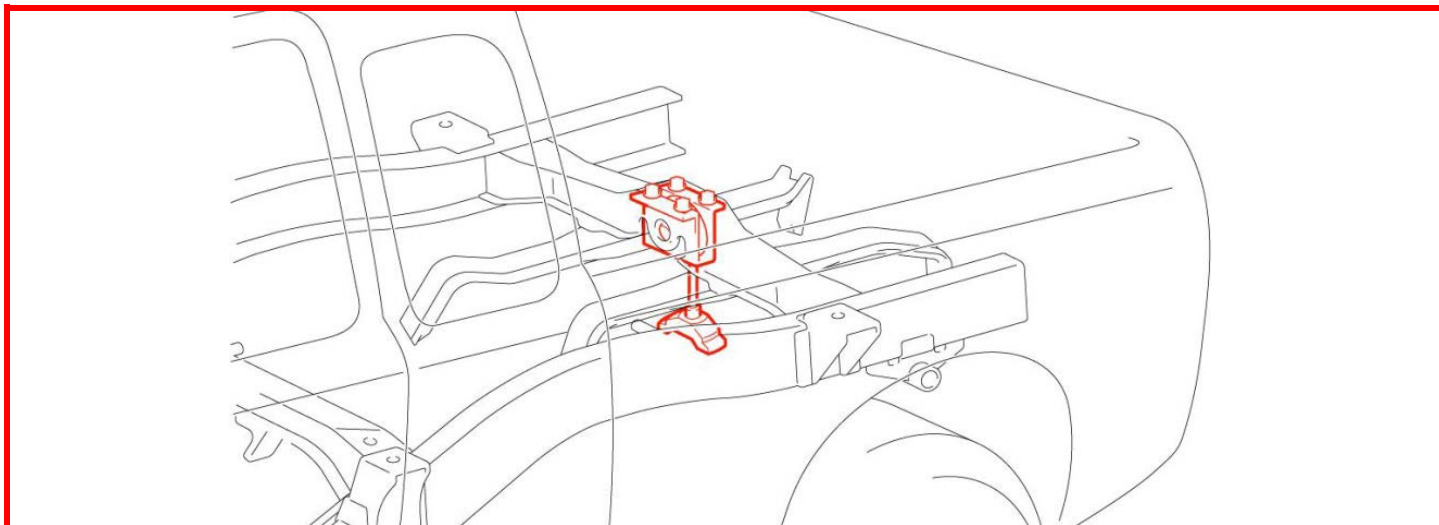
- Standard Hand Tools
- Torque Wrench
- Screw Jacks

C. MATERIALS

- Shop Cloth
- Wood Pieces (30mm Thick)

IV. BACKGROUND

On 2001-2004 model year Tacoma vehicles, prolonged exposure to road salts and other environmental factors could cause the Spare Tire Carrier **Lift Plate** to corrode. In limited cases, the lift plate may excessively corrode and break resulting in detachment of the spare tire from the vehicle.



V. SPARE TIRE CARRIER INSPECTION WORK PROCEDURE

A. INSPECT THE SPARE TIRE CARRIER



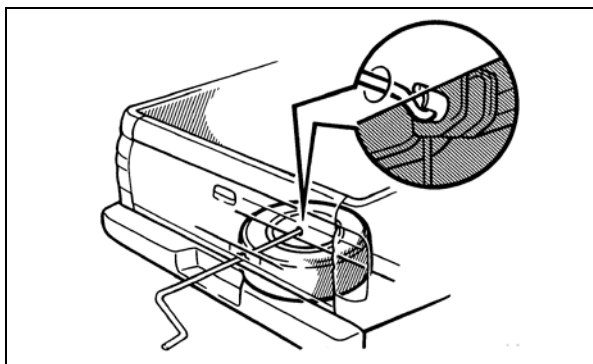
Perform the Spare Tire Carrier Inspection with the vehicle on the ground to ensure that the spare tire will not fall due to lift plate corrosion.

1. PERFORM FUNCTIONAL CHECK OF THE SPARE TIRE CARRIER

- With the vehicle on the ground, lower and raise the spare tire carrier utilizing the tools provided with the vehicle and ensure it is operating properly.

Note: Do not operate the spare tire carrier with an impact gun because damage will occur to the spare tire carrier.

- Completely lower the spare tire and remove it from the spare tire lift plate.



2. VISUALLY INSPECT THE SPARE TIRE CARRIER LIFT PLATE

Does the top and bottom of the spare tire carrier lift plate have obvious corrosion?

No

Minimal Rust Corrosion



No

**CONTINUE INSPECTION
ON THE NEXT PAGE**

YES

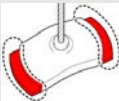
Obvious Rust Corrosion



VISUALLY INSPECT THE SPARE TIRE CARRIER LIFT PLATE (Continued)

CONTINUE INSPECTION

Does the spare tire lift plate wheel contact area (Red) have rust corrosion holes or deterioration?



No

Rust, but no Holes/Deterioration



No

Does the bottom edge of the spare tire lift plate have rust/corrosion around the entire perimeter?



No

Rust/Corrosion does not reside on the entire perimeter of the bottom edge



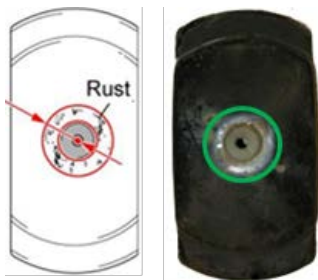
No

Does the top center of the spare tire lift plate (side facing the bed) contain 80% rust/corrosion in the center Area (40mm Diameter)?



No

Contains less than 80% Rust in Center Area



No

Inspection Complete
Reinstall Spare Tire and Return to Customer

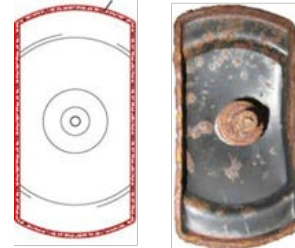
YES

Rust Holes/Rust Deterioration



YES

Rust Corrosion Around Entire Edge



YES

80% Rust Corrosion in Center Area

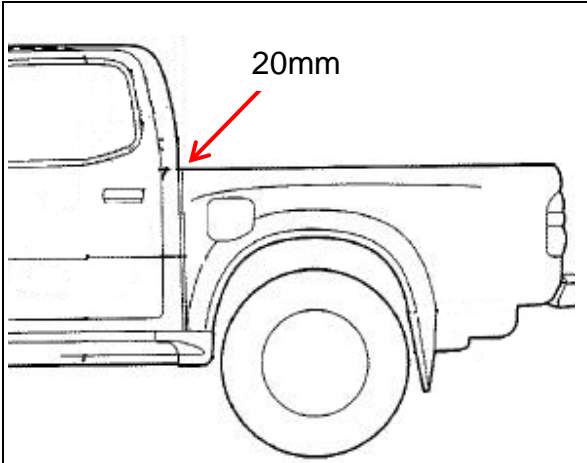


REPLACE THE SPARE TIRE CARRIER

PROCEED TO SPARE TIRE CARRIER
REPLACEMENT (Section VI)

VI. SPARE TIRE CARRIER REPLACEMENT PROCEDURE

B. VEHICLE PREPARATION



1. INSPECT THE BED ASSY

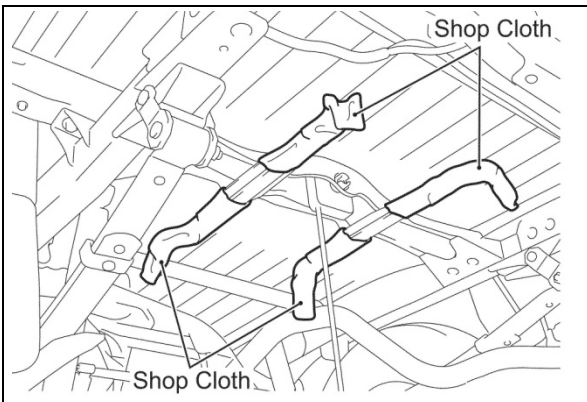
- Confirm the bed has had all heavy loads removed.
- Inspect that there is adequate clearance (20mm) between the cab, bed, and any mounted accessories.



2. PROTECT THE BED AND CAB ASSY

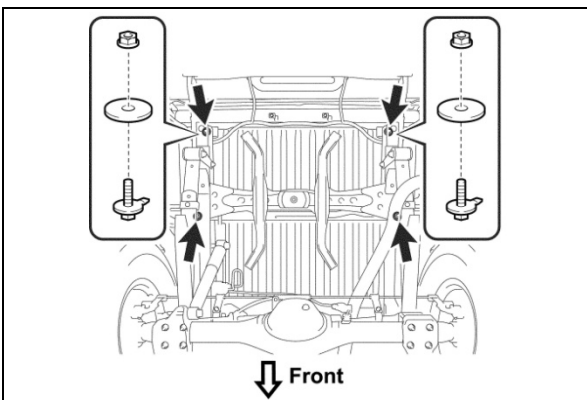
- Place a blanket or pair of fender covers between the cab and bed assy to protect the paint.

C. SPARE TIRE CARRIER REMOVAL



1. COVER THE SPARE TIRE STOPPERS (IF EQUIPPED)

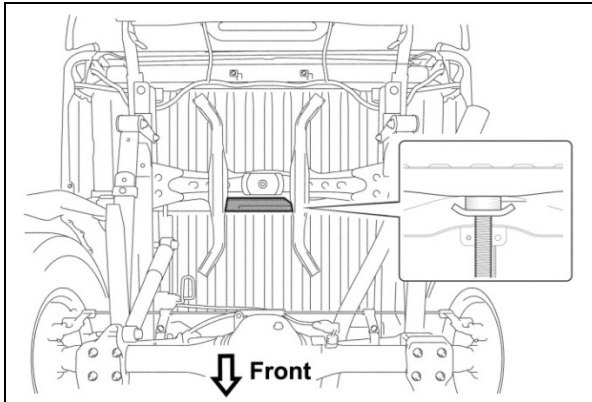
- Place the vehicle on a lift and raise the vehicle
- Wrap the spare tire carrier stoppers with shop clothes to prevent injury.



2. MAKE SPACE FOR THE REMOVAL/INSTALLATION OF THE SPARE TIRE CARRIER BOLTS

- Remove the 2 bolts, 2 nuts, and 2 washers located on the rearward portion of the bed.

Note: it is not necessary to remove the 2 bolts located at the front of the bed.



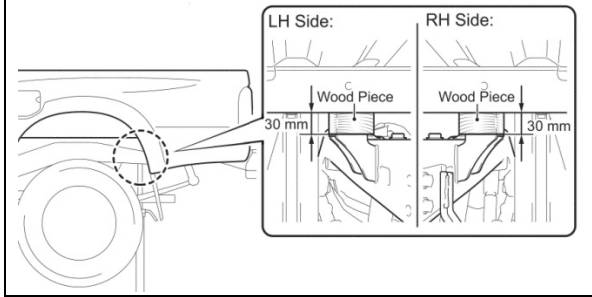
3. LIFT THE BED ASSEMBLY

- a) Using a screw jack and a wood block as an intermediary lift the bed carefully by approximately 30mm.

- b) After lifting, place 30mm wood blocks under the left and right middle bed mount/bracket locations as shown.

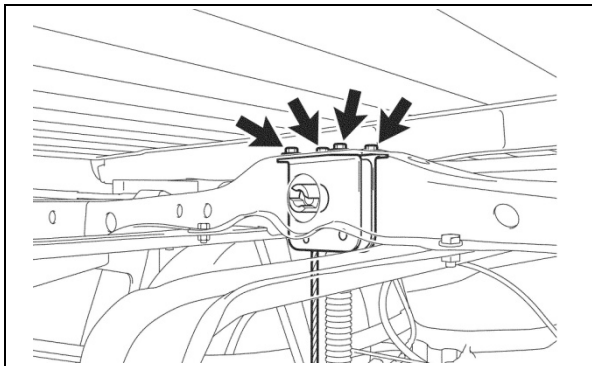
Note:

- Be careful not to have your finger pinched.
- Ensure not to pinch the wire harness with the wood/shims.
- Do not lift the bed assy too high; otherwise damage could occur to the wire harness, cab, or bed assy.



4. REMOVE THE SPARE TIRE CARRIER

- a) Remove the 4 bolts holding the spare tire carrier.

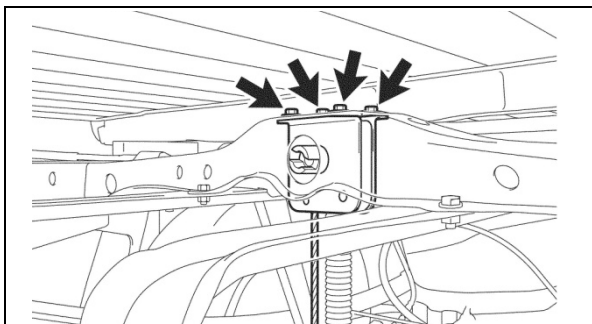


D. INSTALL THE SPARE TIRE CARRIER

1. INSTALL THE SPARE TIRE CARRIER

- a) Install the NEW spare tire carrier with the 4 NEW bolts.
- b) Torque the 4 bolts evenly in several increments.

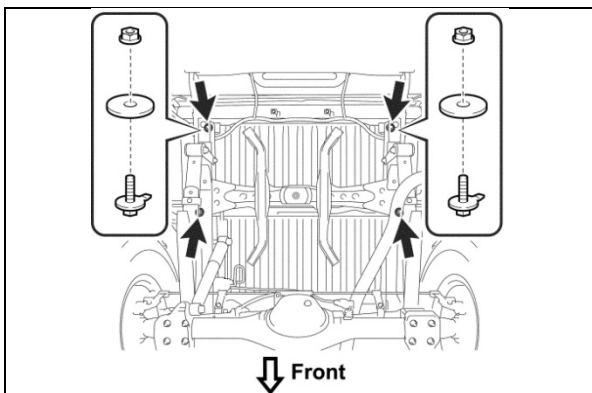
Torque Spec: 15 ft-lbf (20 N·m, 204 kgf-cm)

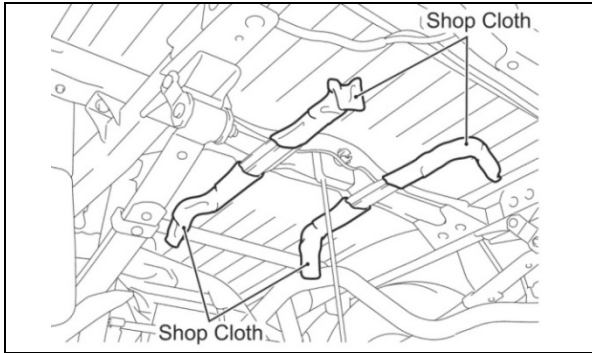


2. REINSTALL THE BED ASSEMBLY

- a) Remove the wood/shims and lower the bed assembly back onto the frame.
- b) Install the 2 bolts, 2 washers and 2 nuts.

Torque Spec: 77lbf (105Nm, 1071 kgf)





3. REMOVE THE PROTECTORS FROM THE SPARE TIRE CARRIER STOPPER

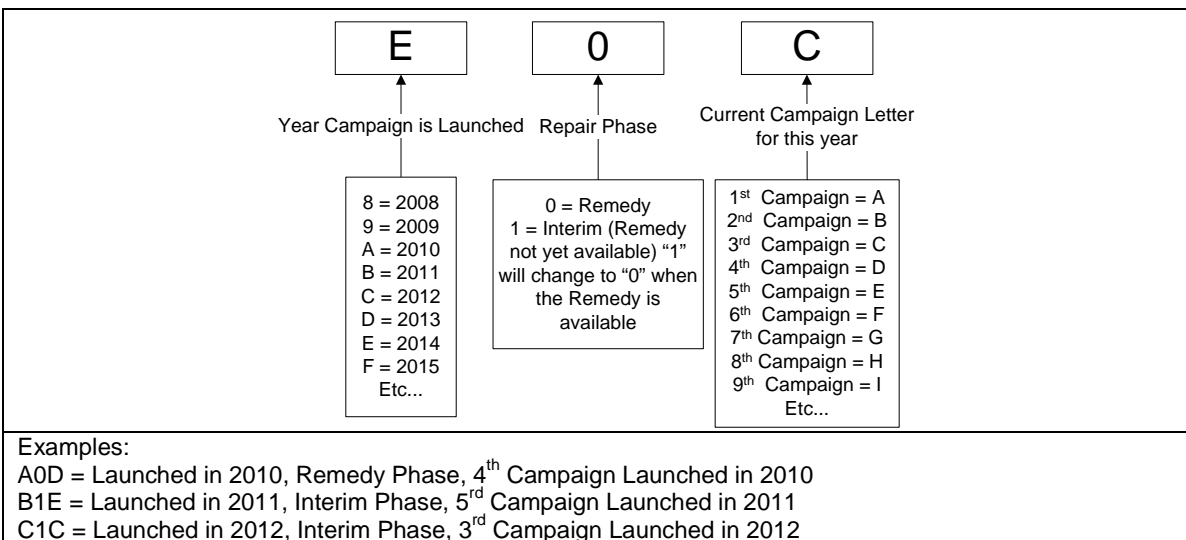
4. REINSTALL THE SPARE TIRE

◀ VERIFY REPAIR QUALITY ▶

- Confirm that all steps of the spare tire carrier lift plate inspection was performed properly
 - Confirm that the bed raising procedure was performed properly
 - Confirm that the spare tire is properly secured before returning the vehicle
- If you have any questions regarding this recall, please contact your regional representative

VII. APPENDIX

A. CAMPAIGN DESIGNATION DECODER



B. RECALL PARTS DISPOSAL

As required by Federal Regulations, please make sure all recalled parts (original parts) removed from the vehicle are disposed of in a manner in which they will not be reused, ***unless requested for parts recovery return.***