

Upper B-Pillar Trim Installation Procedure

Service Category Vehicle Interior

Section Interior Panels/Trim

Market USA

Toyota Supports
 ASE Certification 

Applicability

YEAR(S)	MODEL(S)	ADDITIONAL INFORMATION
2008 – 2015	Sequoia	
2007 – 2015	Tundra	Body Type(s): Double Cab, Crew Max, Double Cab Long Bed

Introduction

Should removal and replacement of the upper B-pillar trim become necessary, follow the procedure in this bulletin to ensure proper installation of the upper B-pillar trim.

Parts Information

PART NUMBER	PART NAME	QTY
62410-0C040-##	Garnish, Center Pillar, RH	1
62420-0C040-##	Garnish, Center Pillar, LH	1

Required Tools & Equipment

REQUIRED TOOLS	QUANTITY
Feeler Gauge	1
Small Flashlight or Penlight	1

Warranty Information

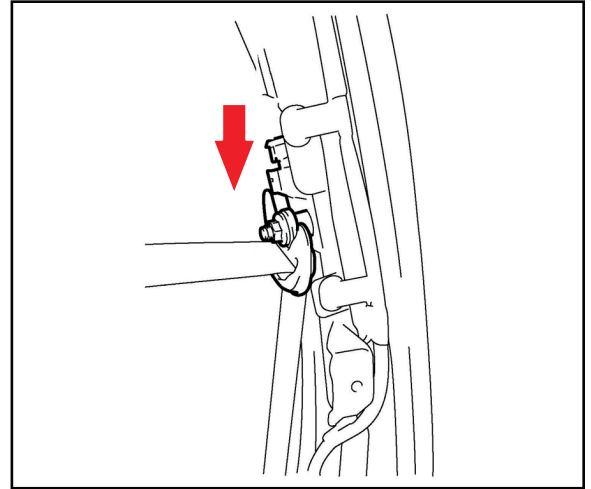
OP CODE	DESCRIPTION	TIME	OFP	T1	T2
N/A	Not Applicable to Warranty	–	–	–	–

Upper B-Pillar Trim Installation Procedure

Installation Procedure

1. Move the seat belt adjuster to the lowest position (passenger side shown).

Figure 1.

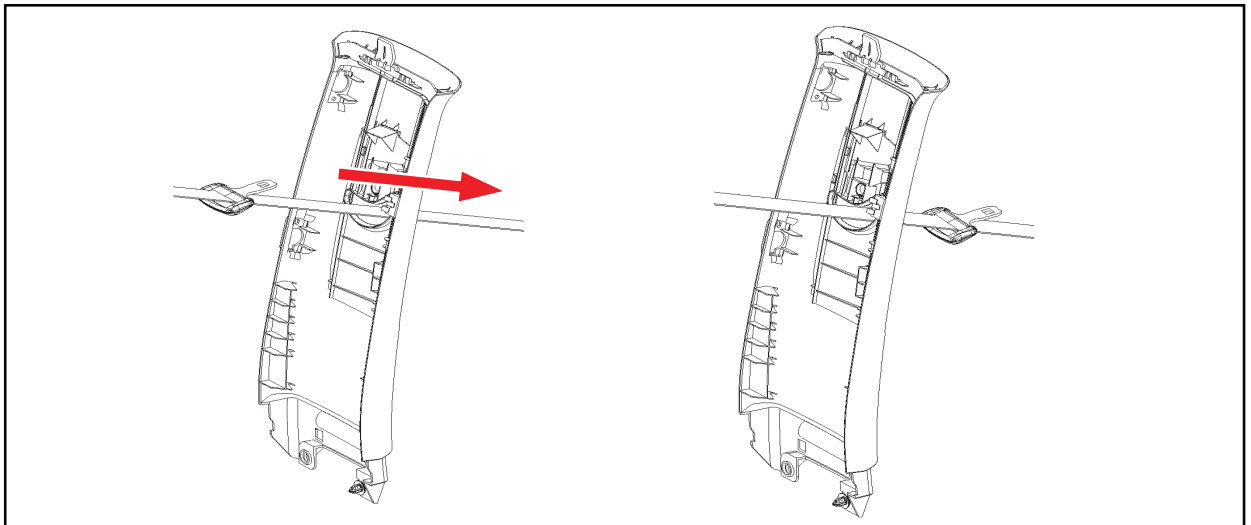


2. Pass the front seat outer belt through the hole of the Center Pillar Garnish.

NOTE

Buckle must be located on inboard side of garnish.

Figure 2.

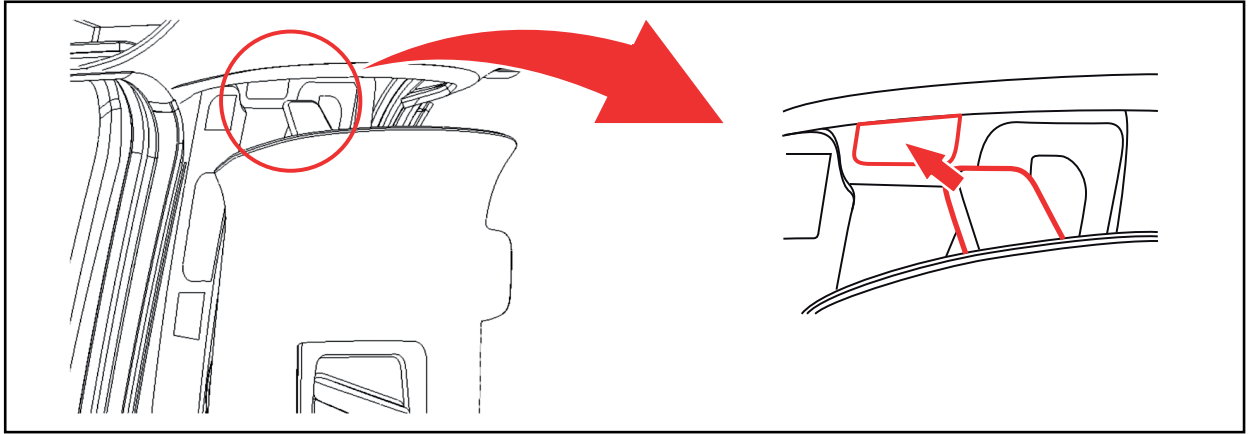


Upper B-Pillar Trim Installation Procedure

Installation Procedure (Continued)

- Slide the positioning tab on top of garnish into body hole.

Figure 3.

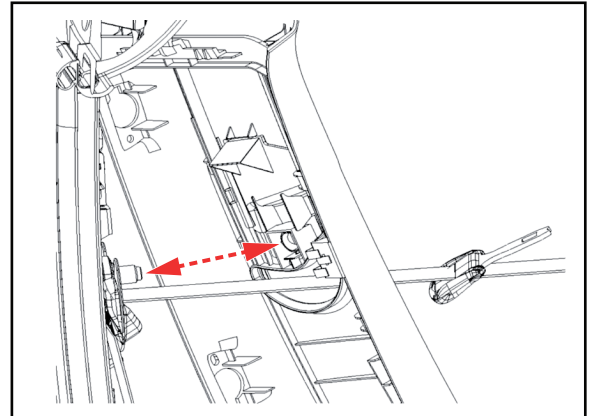


- Visually line up cavity on Center Pillar Garnish with nut on seatbelt height adjustor.

Figure 4.

NOTE

Nut must be inside cavity on seatbelt height adjustor after garnish is installed.

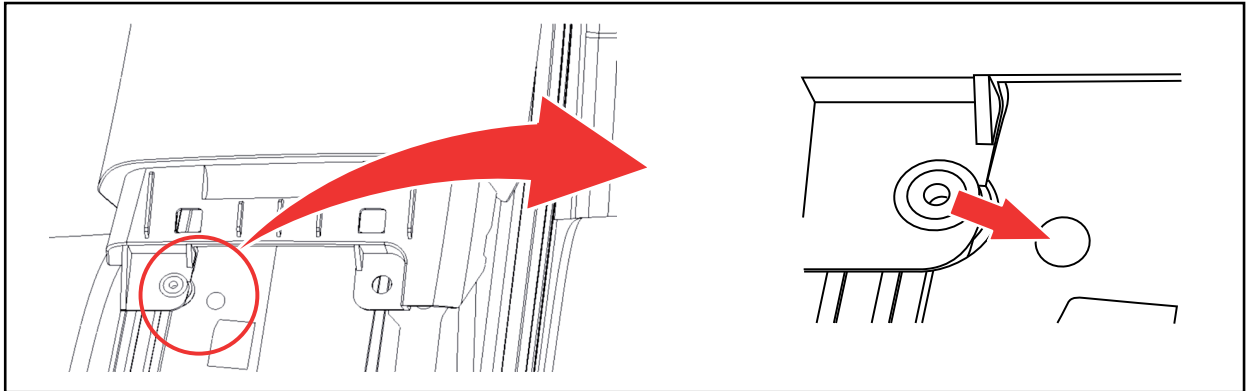


Upper B-Pillar Trim Installation Procedure

Installation Procedure (Continued)

5. Insert the clip into the hole in body.

Figure 5.

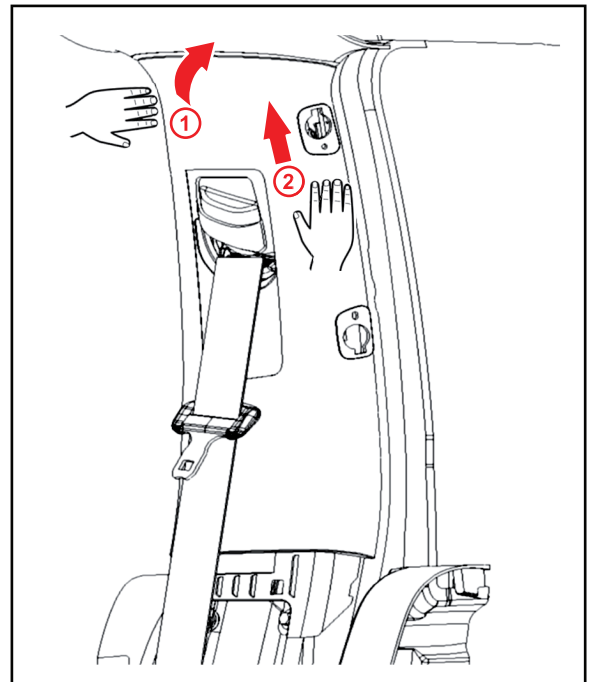


6. Push top of garnish in an upward and outboard direction to securely attach the alignment tab to the body.

NOTE

Push locations and directions shown by hands and arrows.

Figure 6.



1	Push Outboard
2	Push Upward

Upper B-Pillar Trim Installation Procedure

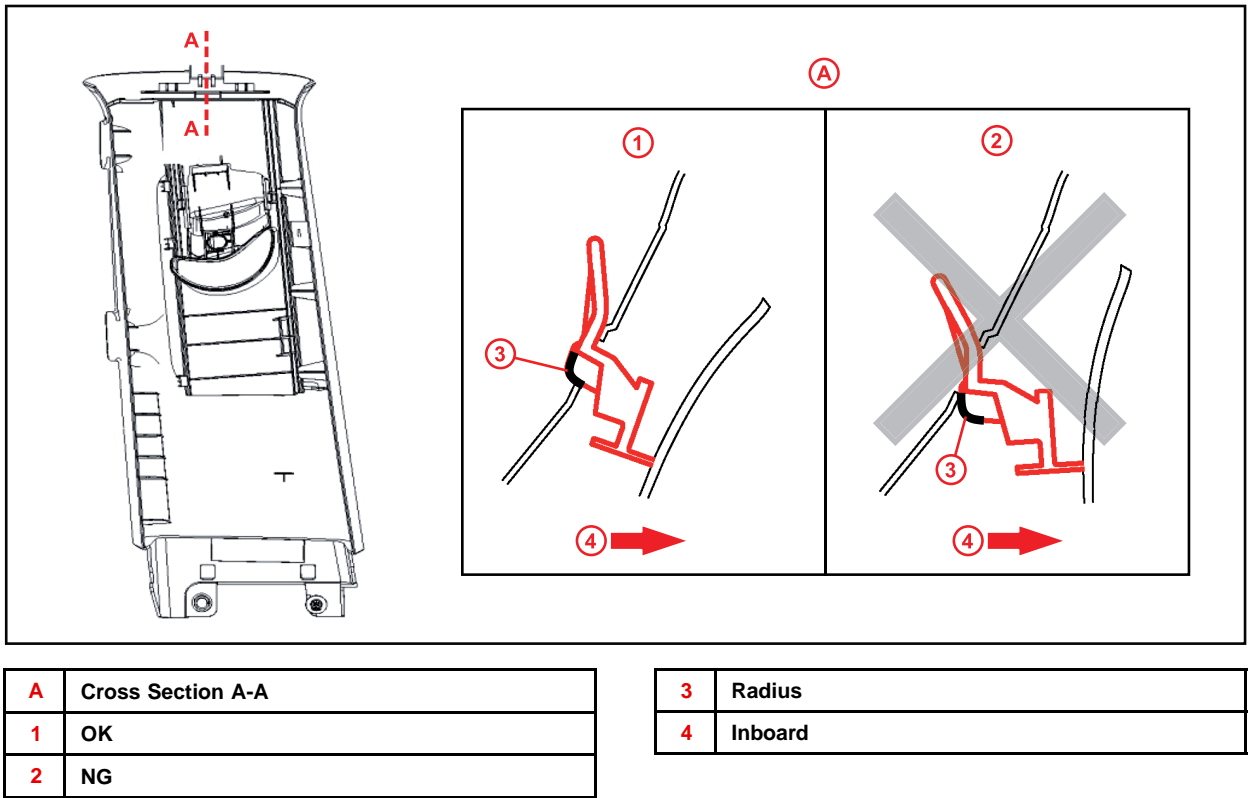
Installation Procedure (Continued)

7. Confirm correct installation of the positioning tab.

NOTE

Radius on bottom rib of positioning tab must NOT be visible from inboard side after installation as shown.

Figure 7.

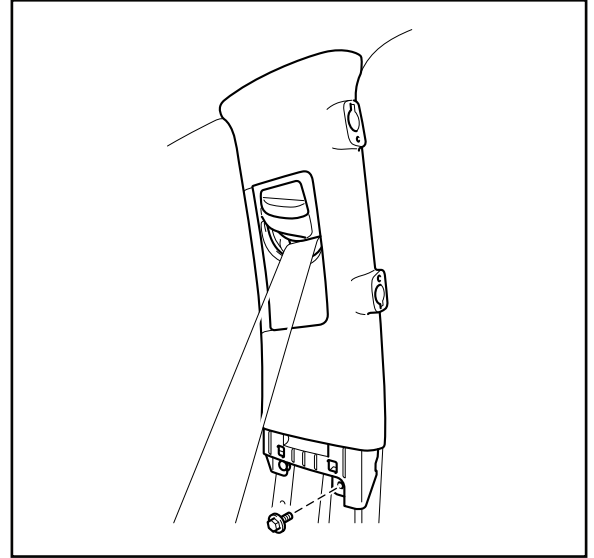


Upper B-Pillar Trim Installation Procedure

Installation Procedure (Continued)

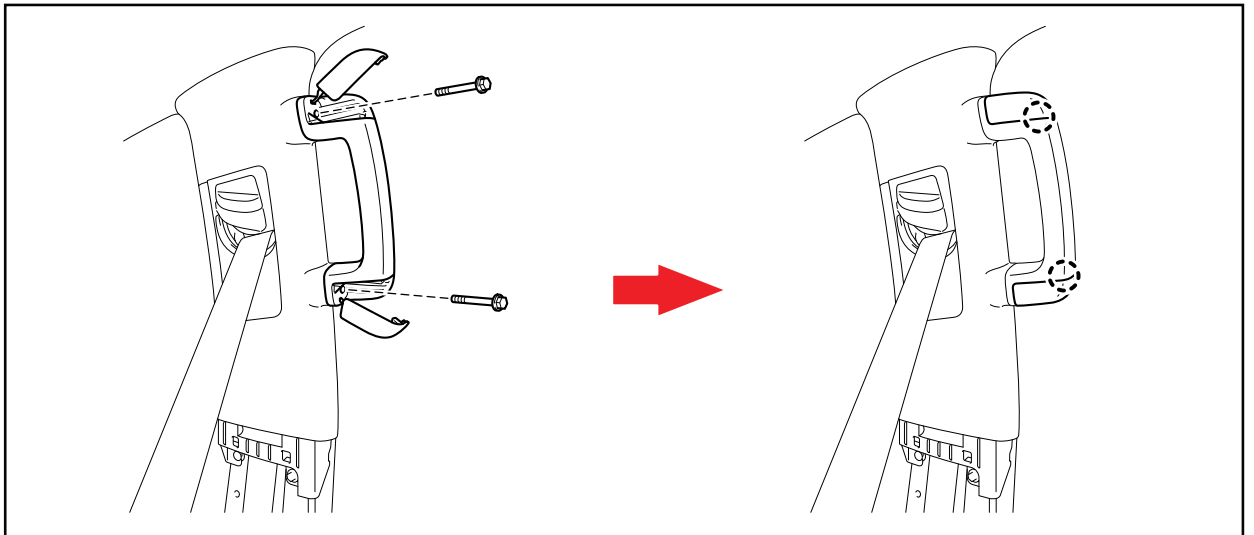
8. Install the bolt.

Figure 8.



9. Install the rear assist grip assembly to the Center Pillar Garnish with the 2 bolts.
10. Attach the 2 claws to close the 2 assist grip covers.

Figure 9.



Upper B-Pillar Trim Installation Procedure

Installation Procedure (Continued)

11. Inspect installation position of Center Pillar Garnish.

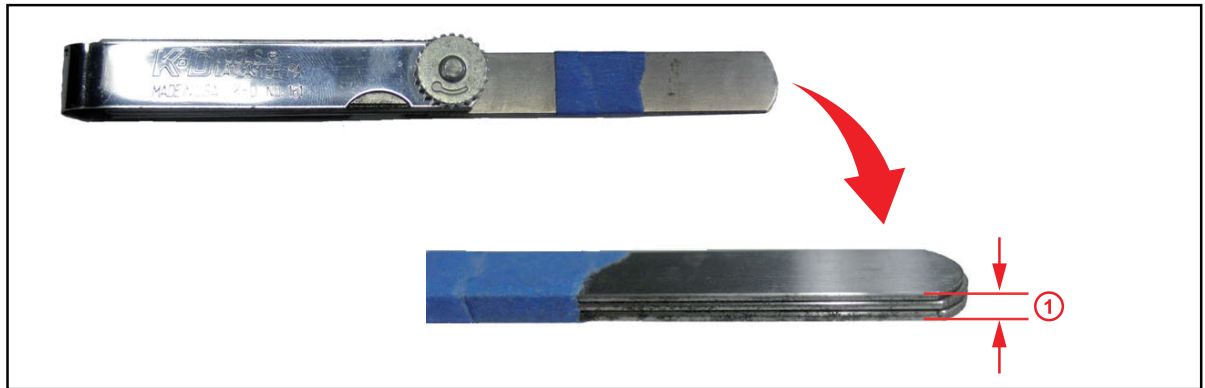
A. Prepare feeler gauge set.

- (1) Stack feeler gauges so that they are 2.0 mm thick.
- (2) Use tape to secure the feeler gauge blades together.

NOTE

It may be necessary to reorganize the feeler gauge blade stack to ensure that the feeler gauge blades have no gap between them.

Figure 10.



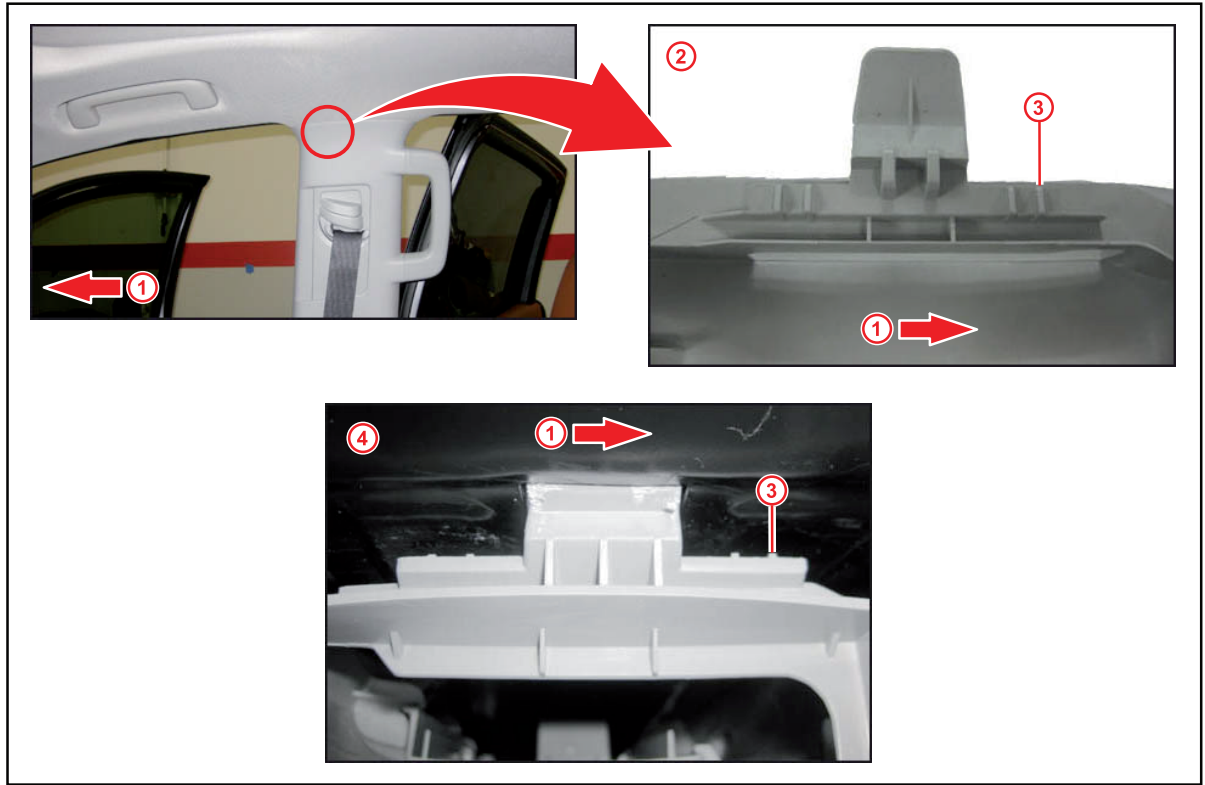
1	2.0 mm Thick
----------	---------------------

Upper B-Pillar Trim Installation Procedure

Installation Procedure (Continued)

B. Check the front upper reinforcement rib closest to the front door (passenger side shown).

Figure 11. Inspection Location of Center Pillar Garnish



1	Front of Vehicle
2	Backside View of Garnish

3	Front Upper Reinforcement Rib
4	Top View of Garnish Installed on Center Pillar

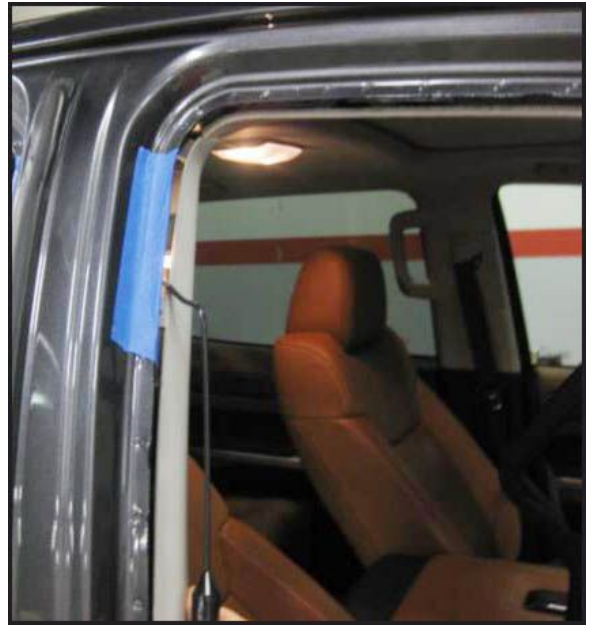
Upper B-Pillar Trim Installation Procedure

Installation Procedure (Continued)

C. Check the gap between the body structure and the center pillar tab front reinforcement rib.

- (1) Using a small flashlight or penlight illuminate the back side of the garnish so you can locate the reinforcement ribs.

Figure 12.



- (2) From the front door check the clearance between the Center Pillar Garnish tab front reinforcement rib and the body structure using the feeler gauge.

Figure 13.



NOTE

When checking the gap between the front rib and the body structure, ensure that you are measuring at the correct location as shown.

Upper B-Pillar Trim Installation Procedure

Installation Procedure (Continued)

- (3) The position checked on the Center Pillar Garnish must pass the criteria below.

Figure 14. Examples of GOOD and NG Conditions



1	GOOD: Feeler Gauge Interferes with Ribs
2	GOOD: Feeler Gauge Fits with Tension

3	NG: Feeler Gauge Fits Loosely
----------	--------------------------------------

If condition is NG, reinstall the Center Pillar Garnish.

12. Repeat the inspection on the other side of the vehicle.