



Service Bulletin

PRELIMINARY INFORMATION

Subject: Slip or No Reverse or 3rd Gear, No Forward, DTC P0776

Models: 2010-2011 Buick LaCrosse
2011 Buick Regal
2008-2011 Chevrolet Malibu
2009-2010 Chevrolet Epica
2010-2011 Chevrolet Equinox
2011 Chevrolet Captiva Sport, Cruze
2010-2011 GMC Terrain
2009-2010 Pontiac G6
2010 Pontiac Torrent
2009 Saturn AURA
Equipped with 6T30/40/45/50 Automatic Transmission (RPO MHC, MHJ, MH7, MH8, MH9)
Transmissions Built On or Before Julian Date 11-015 (January 15, 2011)

Attention: It is recommended that a new 3-5-R piston and 3-5-R apply (waved) plate be installed any time the transmission is disassembled for any reason. This PI also applies to any of the above models that may be Export vehicles.

This PI has been revised to add the Epica, Captiva Sport, Torrent Models including RPOs (MHJ, MHK, MHP), update the Recommendation/Instructions, Parts Information and update the Labor Operation to the Global Labor Code (GLC). Please discard PI0780.

Condition/Concern

Some customers may comment on any of the following conditions:

- Slip or flare in reverse
- No reverse
- Slip or flare in third gear
- No third gear
- MIL illuminated, DTC P0776 is found as an active or a history code in TCM

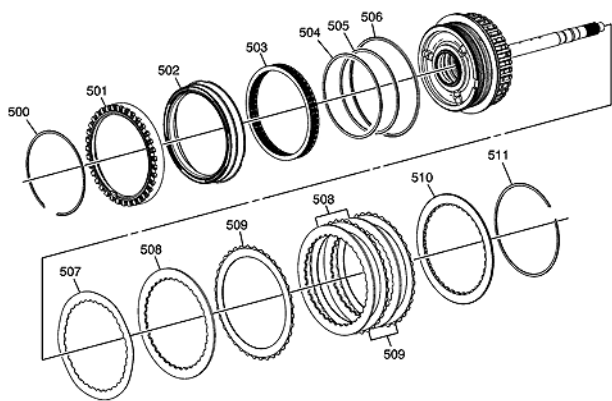
Recommendation/Instructions

This condition may be caused by a broken 3-5-R apply (waved) plate (507).

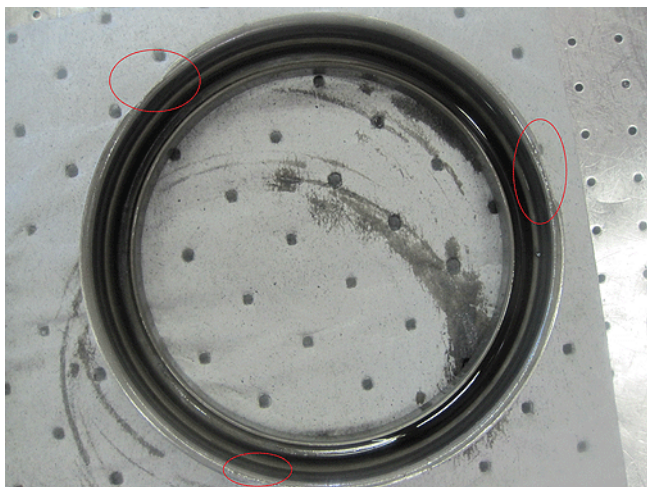
Important: It is recommended that a new 3-5-R piston (503) and 3-5-R apply (waved) plate (507) be installed any time the transmission is disassembled for any reason.

Important: Debris generated by the condition must be cleaned from the entire transmission and the pump fluid filter (203) and the control solenoid filter plate

(8) must be replaced. These parts are included in the seal kit. Failure to separate the case halves, disassemble the transmission, clean the debris and replace the pump fluid filter and the control solenoid filter plate could lead to repeat transmission damage and repairs.



The notches in the 3-5-R piston (502), as shown in the photo below, were removed during the 2011 model year. Be sure to replace any 3-5-R piston with notches when repairing a broken 3-5-R apply (waved) plate or anytime the transmission is disassembled for service.



Parts Information

Refer to the Parts Catalog for the correct 3-5-R piston (503) and 3-5-R apply (waved) plate (507) part numbers.

Warranty Information

For vehicles repaired under warranty, use:

Labor Operation	Description	Labor Time
8467292	3-5-Reverse and 4-5-6 Clutch Housing Overhaul	Use Published Labor Operation Time

GM bulletins are intended for use by professional technicians, NOT a "do-it-yourselfer". They are written to inform these technicians of conditions that may occur on some vehicles, or to provide information that could assist in the proper service of a vehicle. Properly trained technicians have the equipment, tools, safety instructions, and know-how to do a job properly and safely. If a condition is described, DO NOT assume that the bulletin applies to your vehicle, or that your vehicle will have that condition. See your GM dealer for information on whether your vehicle may benefit from the information.



WE SUPPORT VOLUNTARY TECHNICIAN CERTIFICATION