

LTB00866NAS3

TECHNICAL BULLETIN

23 FEB 2017



© Jaguar Land Rover North America, LLC

NOTE: The information in Technical Bulletins is intended for use by trained, professional Technicians with the knowledge, tools, and equipment required to do the job properly and safely. It informs these Technicians of conditions that may occur on some vehicles, or provides information that could assist in proper vehicle service. The procedures should not be performed by 'do-it-yourselfers'. If you are not a Retailer, do not assume that a condition described affects your vehicle. Contact an authorized Land Rover service facility to determine whether this bulletin applies to a specific vehicle.

INFORMATION

This reissue replaces all previous versions. Please destroy all previous versions.

SECTION:

501-10

SUBJECT/CONCERN:

'Rattle' Noise From The Second Row Seat Area

AFFECTED VEHICLE RANGE:

MODEL:	MODEL YEAR:	VIN:	ASSEMBLY PLANT:
Discovery Sport (LC)	2015-2017	500429-641793	Halewood

MARKETS:

NORTH AMERICA

CONDITION SUMMARY:**SITUATION:**

A 'rattle' noise may be evident from the second row seat area of the vehicle. This will occur when the second row seat is pushed fully back and the valance trim is in contact with the quarter panel trim.

CAUSE:

This may be caused by the second row seat outer hinge mechanism cover having insufficient clearance to the quarter panel trim, causing this rattle to occur when the seat is pushed fully back and the valance trim is in contact with the quarter panel trim.

ACTION:

Should a customer express this concern, follow the Service Instruction below.

PARTS:

PART NUMBER	DESCRIPTION	QUANTITY:
LR073121	Outer Valance Cover - Right-hand (Glacier)	1

PART NUMBER	DESCRIPTION	QUANTITY:
LR073122	Outer Valance Cover - Right-hand (Cirrus)	1
LR073123	Outer Valance Cover - Right-hand (Ivory)	1
LR073125	Outer Valance Cover - Right-hand (Ebony Black/Ebony Black interior, Tan, Ebony/Pimento Red)	1
LR073127	Outer Valance Cover - Right-hand (Almond)	1
LR073130	Outer Valance Cover - Left-hand (Glacier)	1
LR073132	Outer Valance Cover - Left-hand (Cirrus)	1
LR073134	Outer Valance Cover - Left-hand (Ivory)	1
LR073136	Outer Valance Cover - Left-hand (Ebony Black/Ebony Black interior, Tan, Ebony/Pimento Red)	1
LR073139	Outer Valance Cover - Left-hand (Almond)	1

WARRANTY:

NOTES:

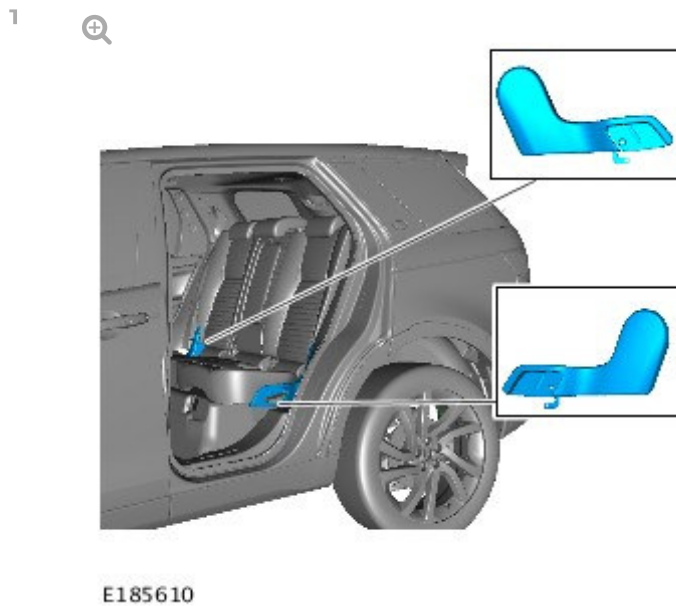
- Repair procedures are under constant review, and therefore times are subject to change; those quoted here must be taken as guidance only. Always refer to TOPIx to obtain the latest repair time.
- DDW requires the use of causal part numbers. Labor only claims must show the causal part number with a quantity of zero.

DESCRIPTION	SRO	TIME (HOURS)	CONDITION CODE	CAUSAL PART
Outer Valance Cover - Renew - Pair	78.55.89.29	0.2	42	LR073121

NOTE:

Normal Warranty procedures apply.

COMPONENT LOCATION



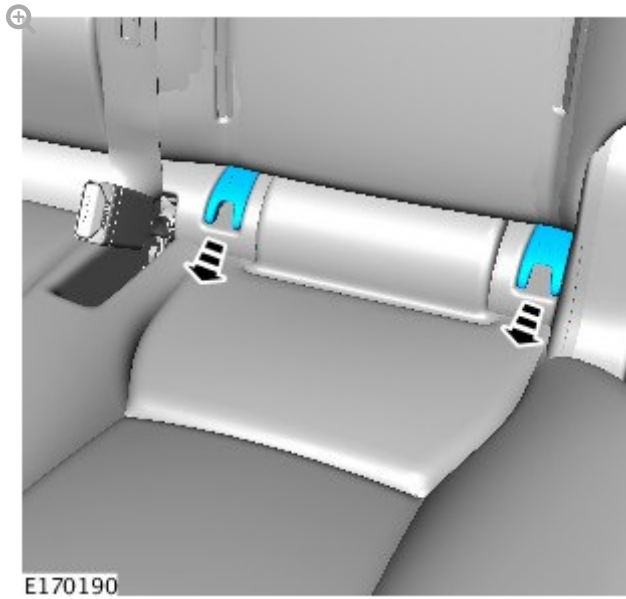
Component location.

SERVICE INSTRUCTION:

NOTE:

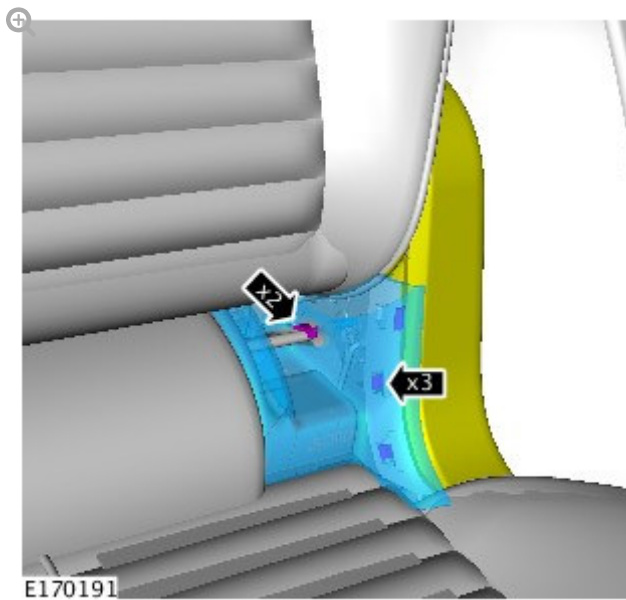
All illustrations: second row left-hand seat shown; second row right-hand seat similar.

1



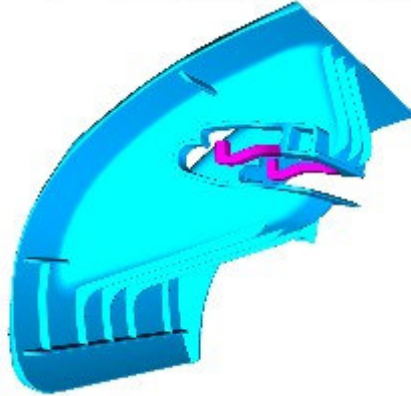
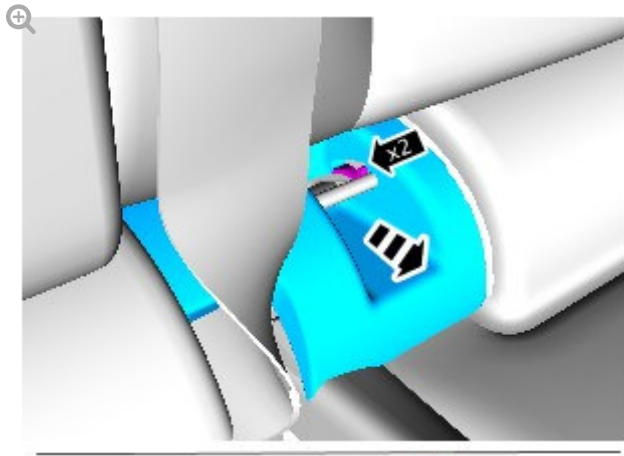
Remove the ISOFIX covers from the second row seat cushion.

2



Remove the ISOFIX bezel.

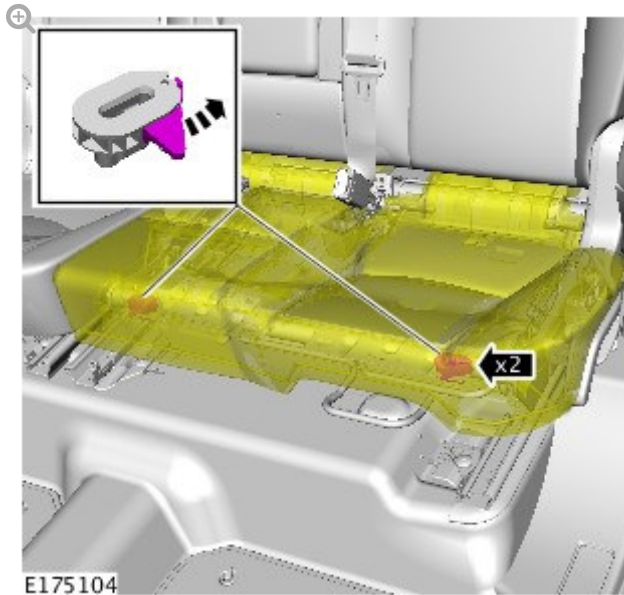
3



E175128

Remove the ISOFIX bezel.

4



E175104

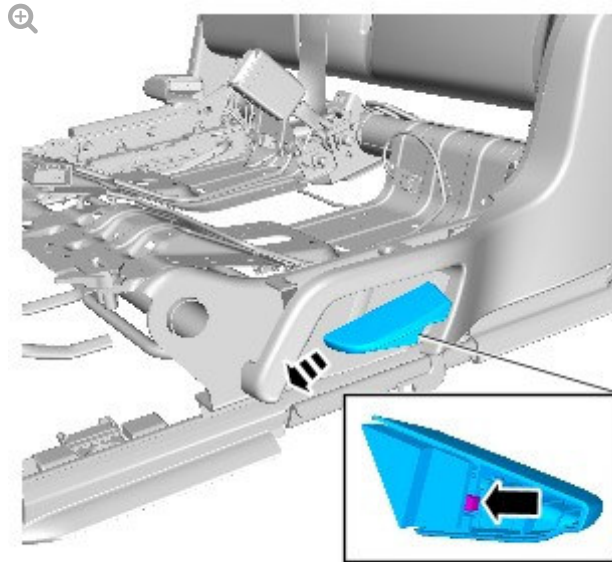
Release the two clips and lift out the seat cushion.

- Move the cushion away from the outer valance cover.

5

CAUTION:

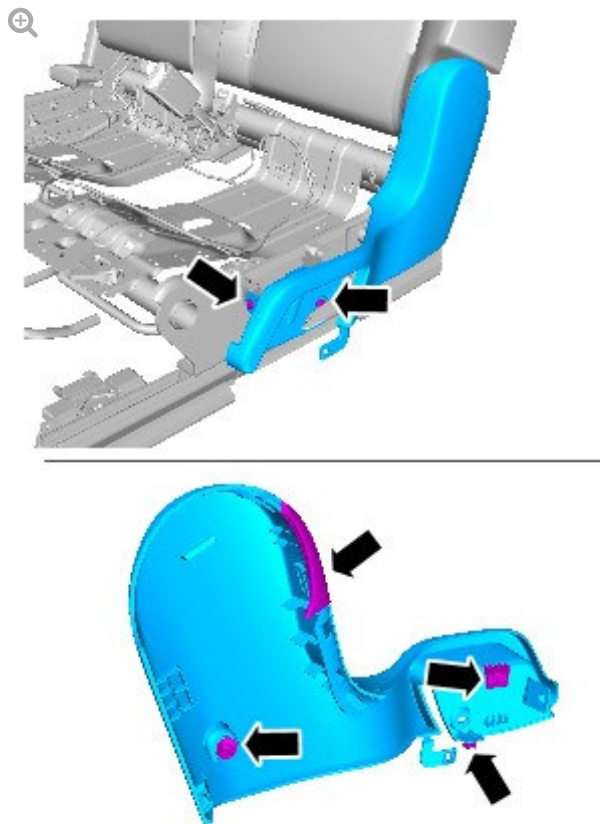
Care must be taken not to damage the component.



E175085

Remove the seatback adjuster handle.

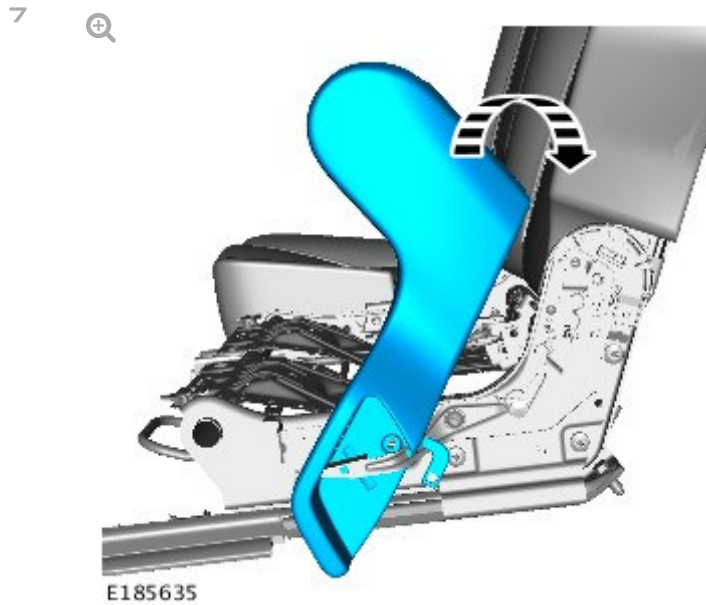
6



E175084

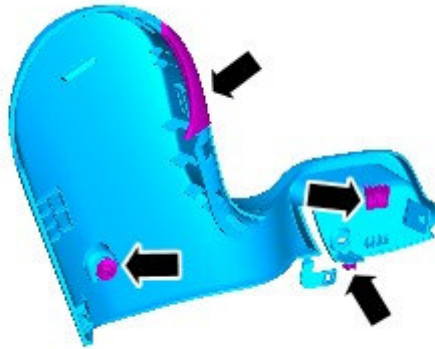
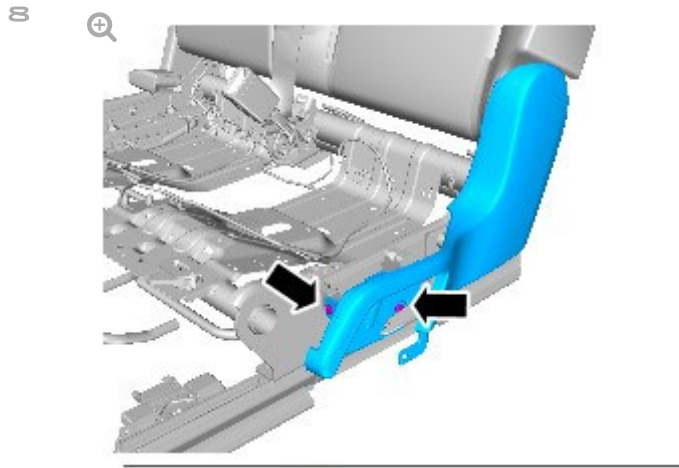
Remove the Torx screw and the trim clip from the outer valance cover.

- Remove and discard the outer valance cover.
- Pull the rear edge of the outer valance cover upwards to release the outer valance cover from the mounting points.



Install the new outer valance cover.

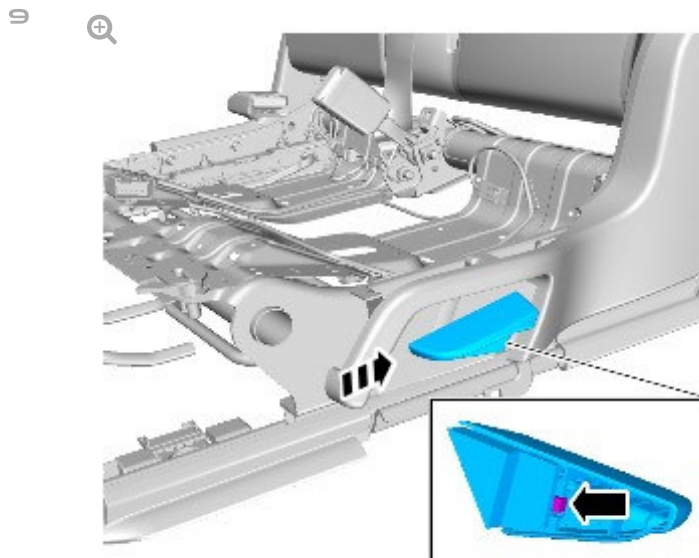
- Rotate the new outer valance cover



E175084

Make sure the outer valance cover is installed correctly.

- Fit the trim clip and the Torx bolt to secure the outer valance cover.
- Torque: 1.5Nm ± 0.5Nm.



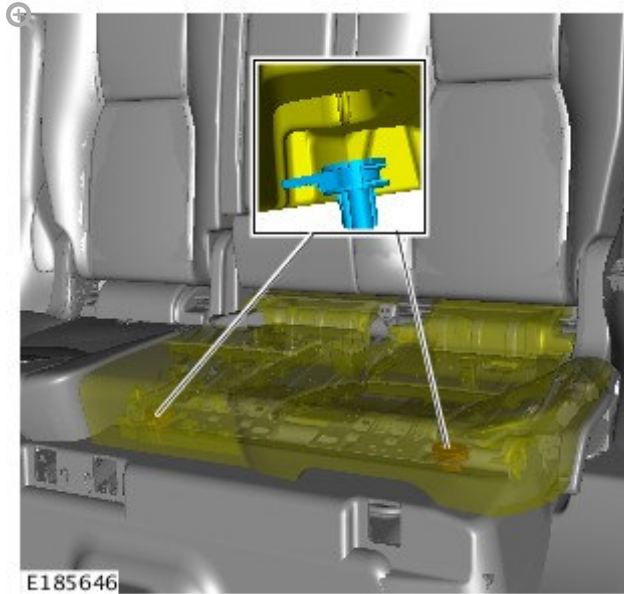
E185636

Install the seatback adjuster handle.

10

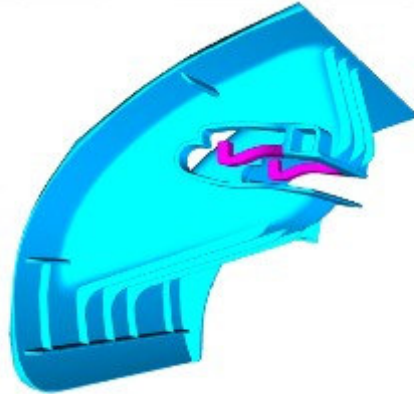
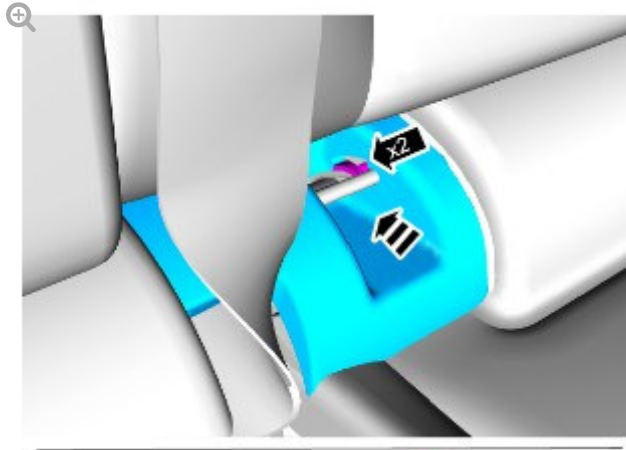
NOTE:

Make sure the seat cushion locates properly into the two clips.



Install the seat cushion.

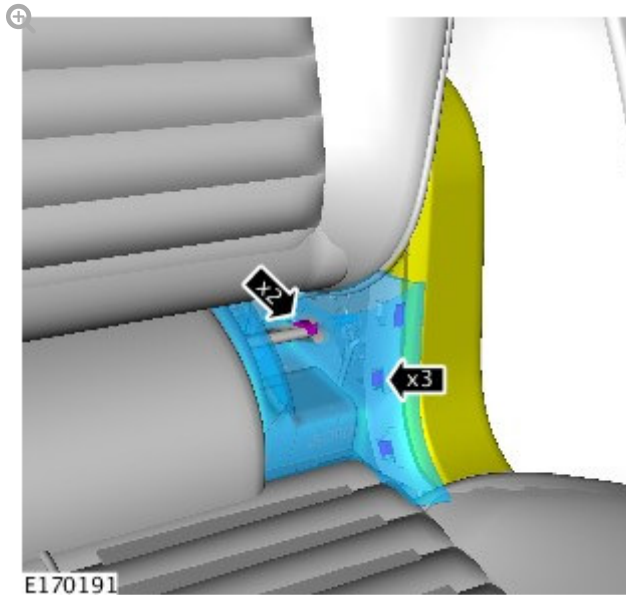
11



E185714

Install the ISOFIX bezel.

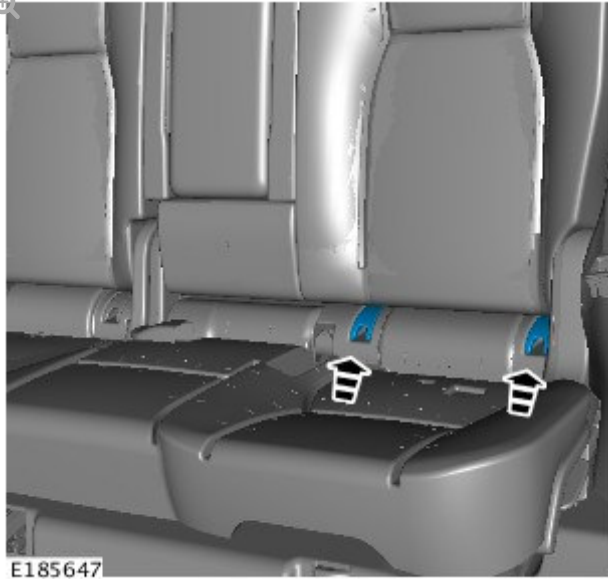
12



E170191

Install the ISOFIX bezel.

13



Install the two ISOFIX covers.

14 Repeat steps 1-13 to the second row right-hand seat.