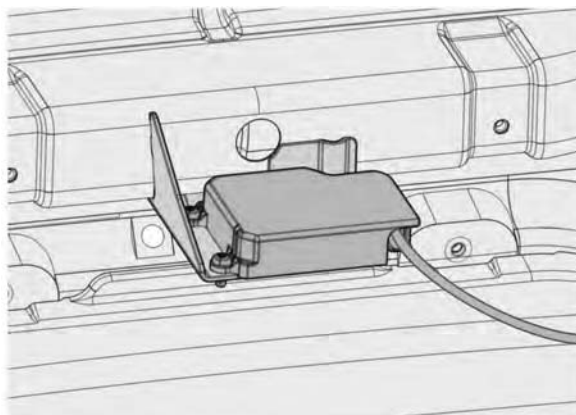


SRS Control Unit, Replacement
 VN, VHD, VAH

FSB 884-008, SRS Control Unit, Replacement

(July 2017)

This document provides the important information relating to the replacement of the SRS ECU module. The information must followed to ensure reliable and safe operation of the vehicle.



W8125793

Service personnel: Please circulate, read and initial

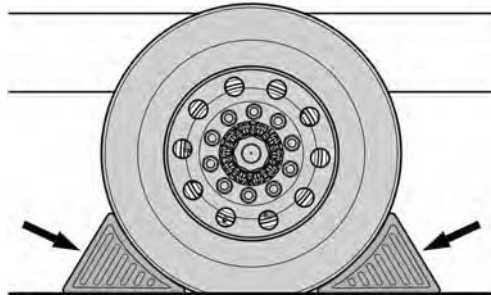
Service Manager	Warranty Administrator	Workshop Foreman	Service Technicians						

Decommissioning the Truck for Repair

You must read and understand the precautions and guidelines in Service Information, group 80, "General Safety Practices, Body, Cab & Interior" before performing this procedure. If you are not properly trained and certified in this procedure, ask your supervisor for training before you perform it.

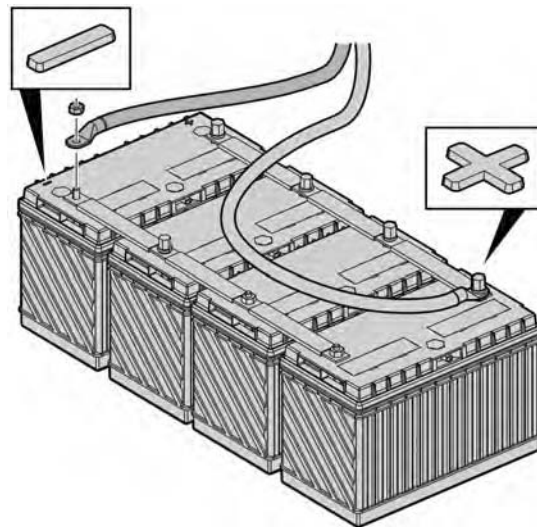
NOTE: Information is subject to change without notice. Illustrations are used for reference only and can differ slightly from the actual vehicle being serviced. However, key components addressed in this information are represented as accurately as possible.

- 1 Park the vehicle on a flat and level surface.
- 2 Apply the parking brake.
- 3 Place the transmission in neutral or park.
- 4 Install the wheel chocks on the front wheels.



W7086748

- 5 Disconnect the cable from the battery's negative terminal.



W3086747

Procedure

You must read and understand the precautions and guidelines in Service Information, group 80, "General Safety Practices, Cab" before performing this procedure. If you are not properly trained and certified in this procedure, ask your supervisor for training before you perform it.



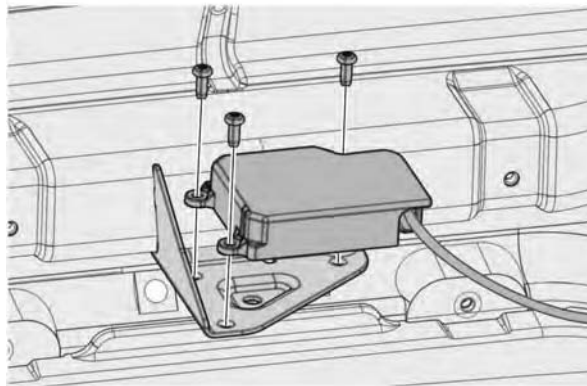
DANGER

Do not attempt to repair or service a vehicle without the proper training, tools and service information. Failure to do so may result in component damage, serious injury or death.

- 1 Perform the necessary procedure to remove the instrument panel and gain access to the cab bulkhead.

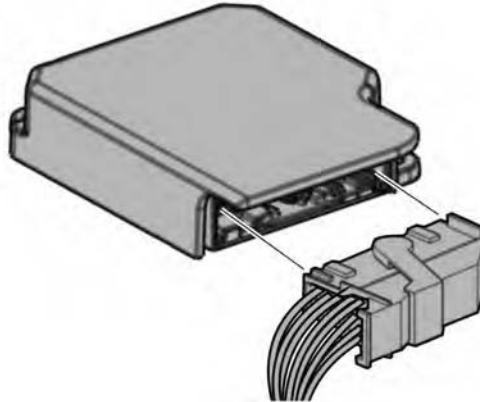
Note: The SRS ECU mounting bracket is welded to the center of the front bulkhead.

- 2 Remove the fasteners securing the SRS ECU to the bracket.



W8125794

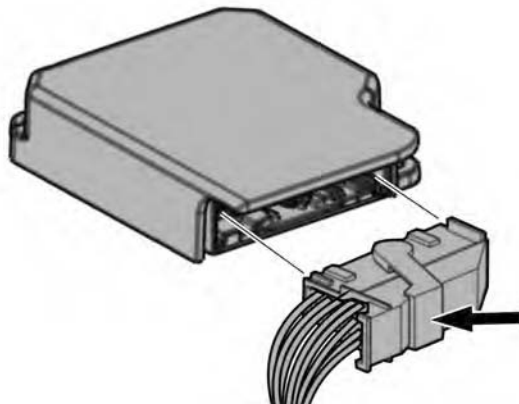
- 3 Disconnect the connector from the SRS ECU.



W8125796

- 4 Connect the connector to the new SRS ECU module.

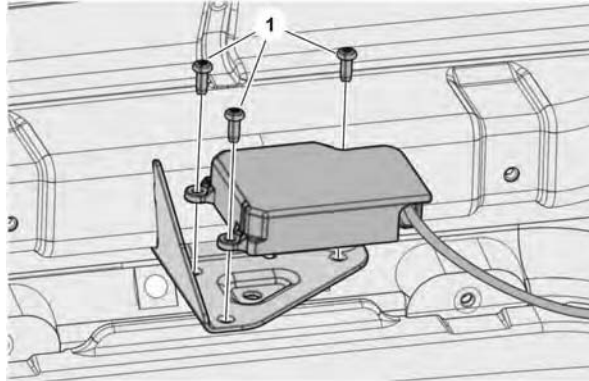
Note: Be sure to fully connect the connector by pushing the lever in fully.



W8125792

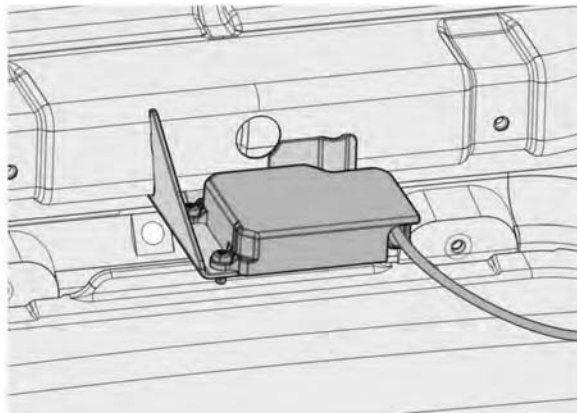
5 Install the new SRS ECU to the bracket.

Note: Check that the surface underneath the control unit is clean and smooth.



W8125795

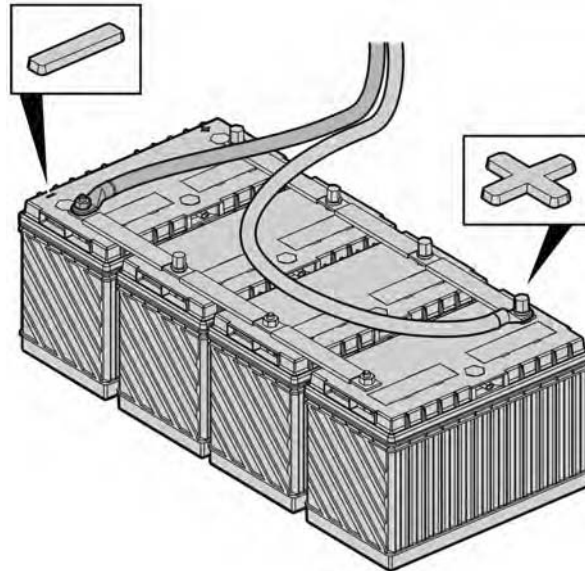
6 Torque the fasteners to the proper torque.



W8125793

Description	Measurement
SRS ECU Fastener Torque	10 Nm +/- 1.5 Nm

- 7 Perform the necessary procedure to install the instrument panel.
- 8 Connect the battery cable to the negative (ground) terminal.

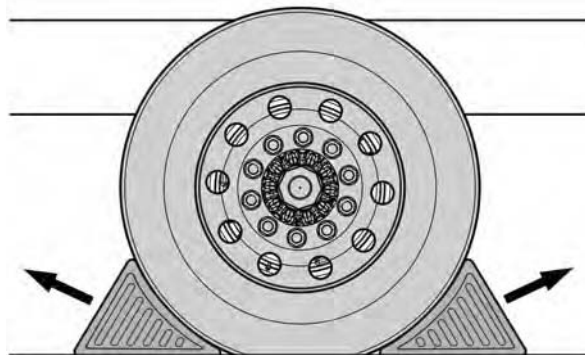


W3086758

- 9 Using Premium Tech Tool, check for any fault codes relating to the SRS ECU.

Commissioning the Truck for Operation

- 1 Remove the wheel chocks.



W7086759

Volvo Trucks North America engages in a comprehensive program of testing and evaluating to provide the best possible product. Volvo Trucks North America however, is not committed to, or liable for updating existing vehicles.