

JTB00483NAS1

TECHNICAL BULLETIN

12 JUN 2017



© Jaguar Land Rover North America, LLC

NOTE: The information in Technical Bulletins is intended for use by trained, professional Technicians with the knowledge, tools, and equipment required to do the job properly and safely. It informs these Technicians of conditions that may occur on some vehicles, or provides information that could assist in proper vehicle service. The procedures should not be performed by 'do-it-yourselfers'. If you are not a Retailer, do not assume that a condition described affects your vehicle. Contact an authorized Jaguar service facility to determine whether this bulletin applies to a specific vehicle.

INFORMATION

SECTION:

414-01: Battery, Mounting and Cables

SUBJECT/CONCERN:

Ticking Noise in Passenger Compartment While Driving

AFFECTED VEHICLE RANGE:

MODEL:	MODEL YEAR:	VIN:	ASSEMBLY PLANT:	APPLICABILITY:
F-PACE (X761)	2017	045000-069990	Solihull	V6 S/C 3.0L Petrol
XE (X760)	2017	921222-969535	Solihull	GTDi 2.0L Petrol/V6 S/C 3.0L Petrol /INGENIUM I4 2.0L Diesel
XF (X260)	2016-2017	Y00001-Y37026	Castle Bromwich	V6 S/C 3.0L Petrol

MARKETS:

NAS

CONDITION SUMMARY:

SITUATION:

A ticking noise may be heard in the passenger compartment while driving with the engine under load. The noise increases/decreases relative to engine speed.

CAUSE:

This may be caused by an incorrect specification engine-to-chassis ground strap creating a noise transfer path between the engine high pressure fuel system and the body into the passenger compartment.

ACTION:

Should a Customer express this concern, follow the Workshop Procedure below.

PARTS:

PART NUMBER	DESCRIPTION	QUANTITY:
T4A13939	Engine Ground Cable - F-PACE (X761; Ingenium I4 2.0L Diesel)	1

PART NUMBER	DESCRIPTION	QUANTITY:
T4A13937	Engine Ground Cable - F-PACE (X761; V6 3.0L S/C Petrol)	1
T4N18333	Engine Ground Cable - XE (X760; GTDi 2.0L Petrol)	1
T4N18334	Engine Ground Cable - XE (X760; Ingenium I4 2.0L Diesel; AWD)	1
T2H27020	Engine Ground Cable - XE (X760; Ingenium I4 2.0L Diesel; RWD), XF (X260; Ingenium I4 2.0L Diesel; RWD)	1
T4N18332	Engine Ground Cable - XE (X760; V6 3.0L S/C Petrol)	1
T2H20578	Engine Ground Cable - XF (X260; Ingenium I4 2.0L Diesel; AWD)	1
T2H27018	Engine Ground Cable - XF (X260; V6 3.0L S/C Petrol)	1

WARRANTY:

NOTES:

- Repair procedures are under constant review, and therefore times are subject to change; those quoted here must be taken as guidance only. Always refer to TOPIx to obtain the latest repair time.
- The JLR Claims Submission System requires the use of causal part numbers. Labor only claims must show the causal part number with a quantity of zero

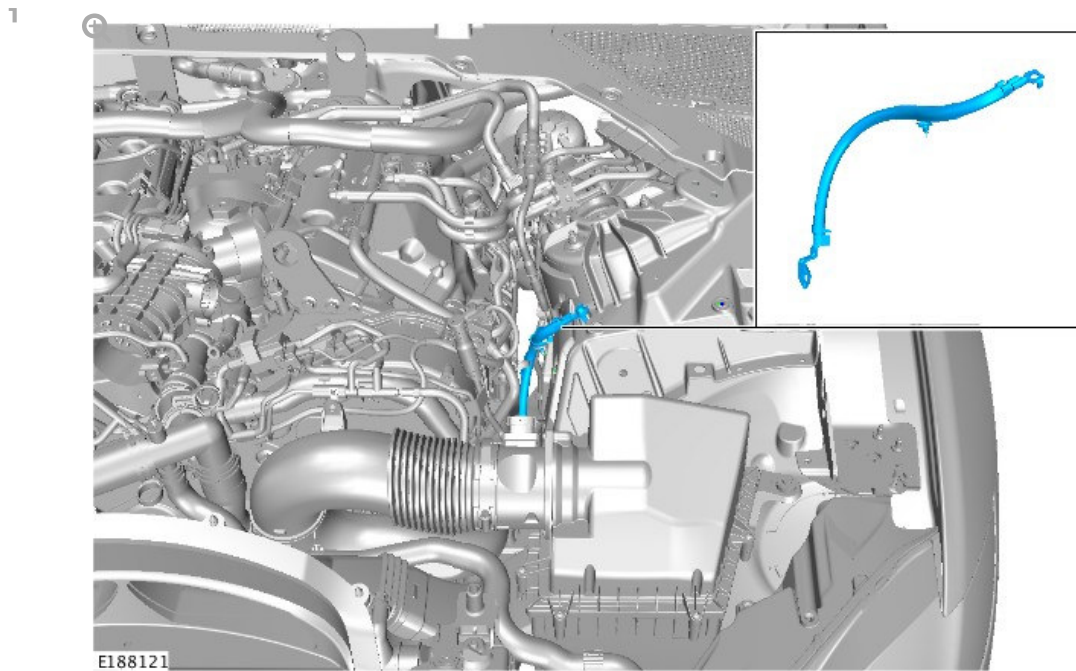
DESCRIPTION	SRO	TIME (HOURS)	CONDITION CODE	CAUSAL PART
Engine ground cable - Renew - F-PACE (X761)	86.94.96	0.1	42	T2H13682
Engine ground cable - Renew - XE (X760; except V6 3.0L S/C Petrol)	86.94.96	0.1	42	T2H13682

DESCRIPTION	SRO	TIME (HOURS)	CONDITION CODE	CAUSAL PART
Engine ground cable - Renew - XE (X760; V6 3.0L S/C Petrol)	86.94.96	0.6	42	T2H13682
Engine ground cable - Renew - XF (X260; Ingenium I4 2.0L Diesel)	86.94.96	0.1	42	T2H23416
Engine ground cable - Renew - XF (X260; V6 3.0L S/C Petrol)	86.94.96	0.6	42	T2H23416

NOTE:

Normal Warranty procedures apply.

COMPONENT LOCATION



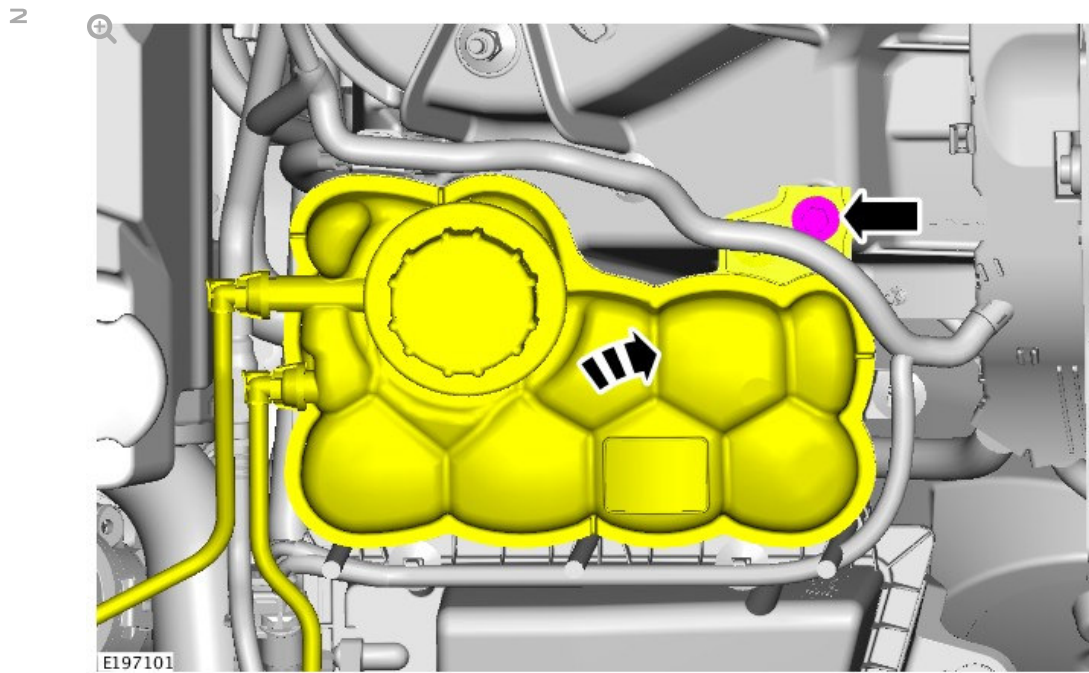
Engine ground cable location.

WORKSHOP PROCEDURE:

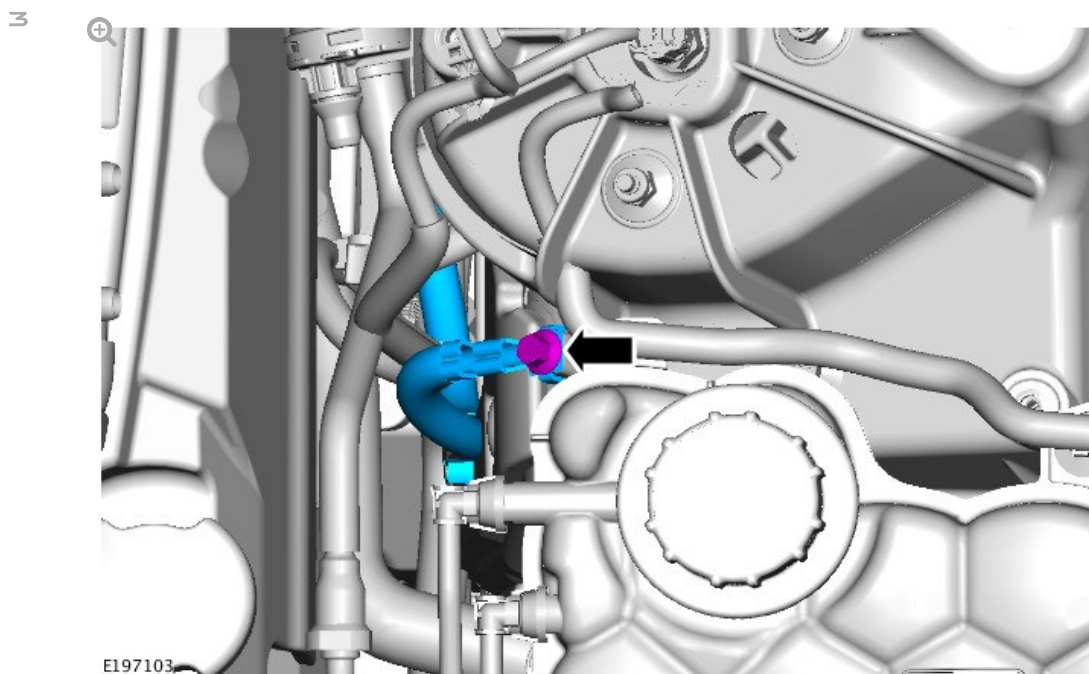
NOTE:

Some parts shown removed for clarity.

- 1 Open the hood.



Position the coolant expansion tank to one side.

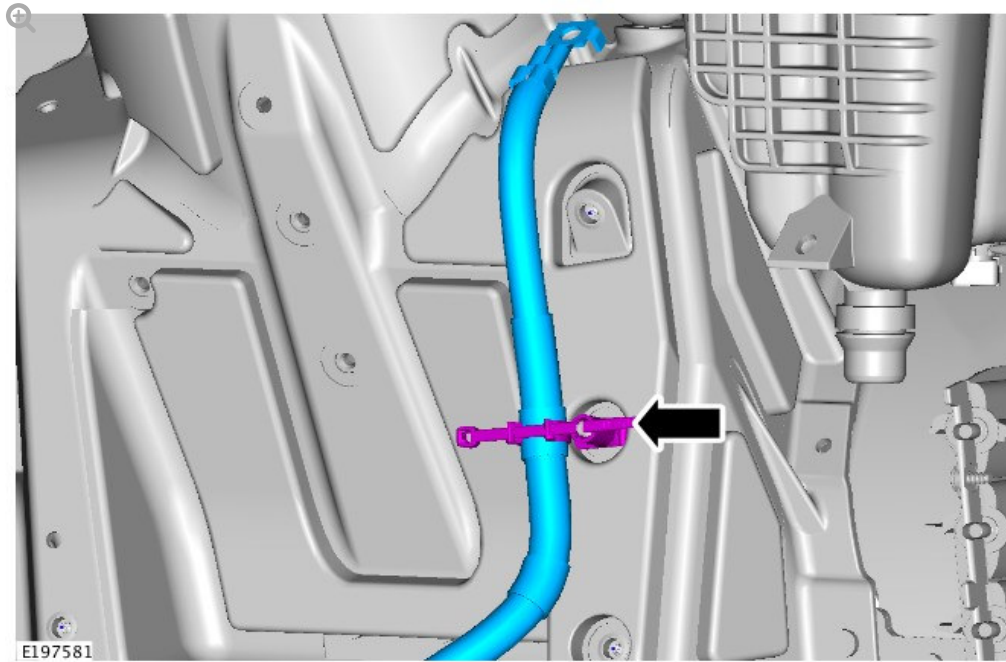


Remove the ground cable fastener.

4

NOTE:

Fastener may be installed to the ground cable but not used on engine variant.



Remove the ground cable fastener if installed to vehicle.

5

NOTE:

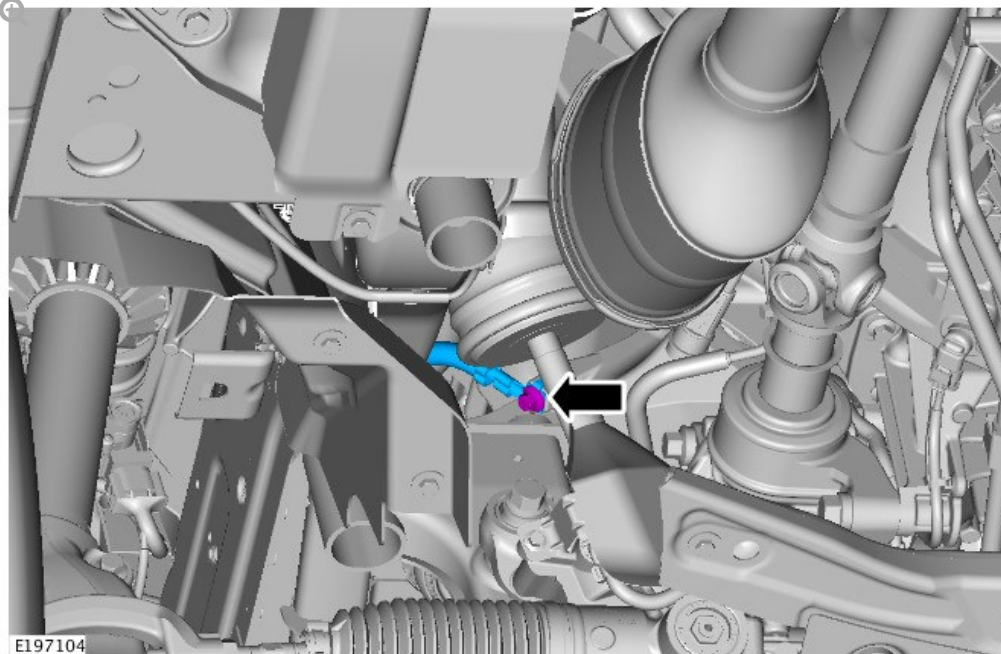
V6 3.0L S/C Petrol only.

Remove the air deflector (see TOPIx Workshop Manual section 501-02: Front End Body Panels - Air Deflector).

6

NOTE:

V6 3.0L S/C Petrol only.

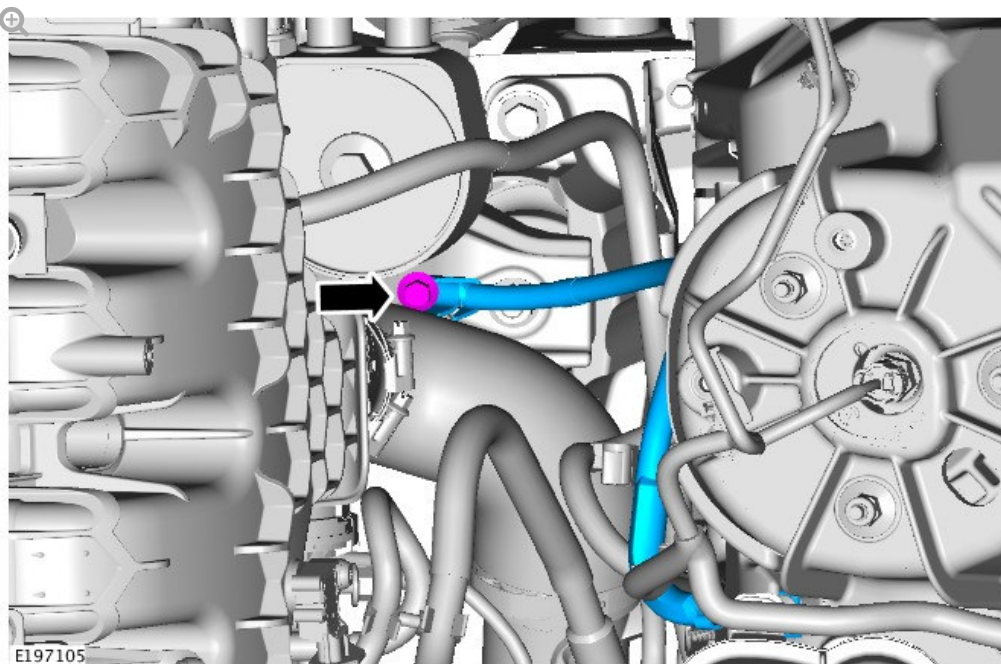


Remove the ground cable fastener and discard the ground cable.

7

NOTE:

GTDi 2.0L Petrol only.

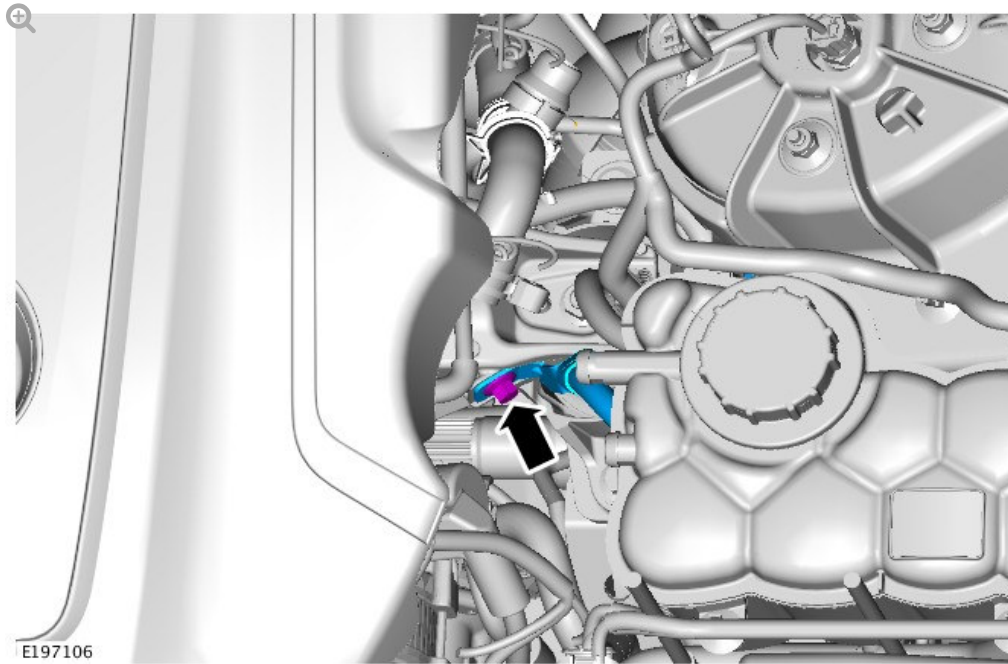


Remove the ground cable fastener and discard the ground cable.

8

NOTE:

Ingenium I4 2.0L Diesel and Ingenium I4 2.0L Petrol only.

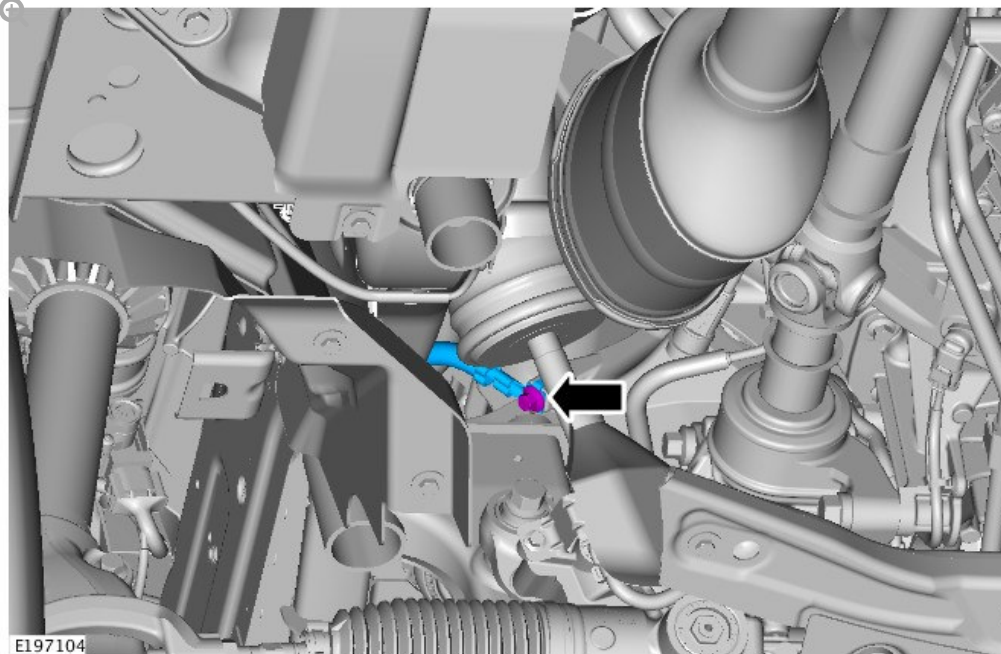


Remove the ground cable fastener and discard the ground cable.

9

NOTE:

V6 3.0L S/C Petrol only.



Install the new ground cable and install the fastener.

- Torque: **20 Nm.**

10

NOTE:

V6 3.0L S/C Petrol only.

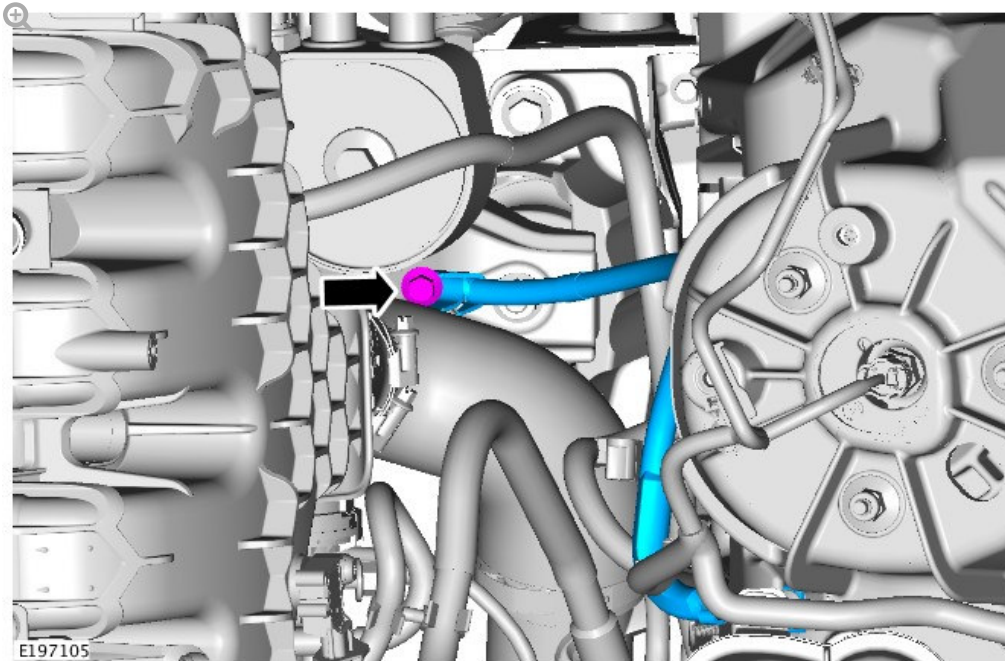
Install the air deflector (see TOPIx Workshop Manual section 501-02: Front End Body Panels - Air Deflector).

- Torque: **20 Nm.**

11

NOTE:

GTDi 2.0L Petrol only.



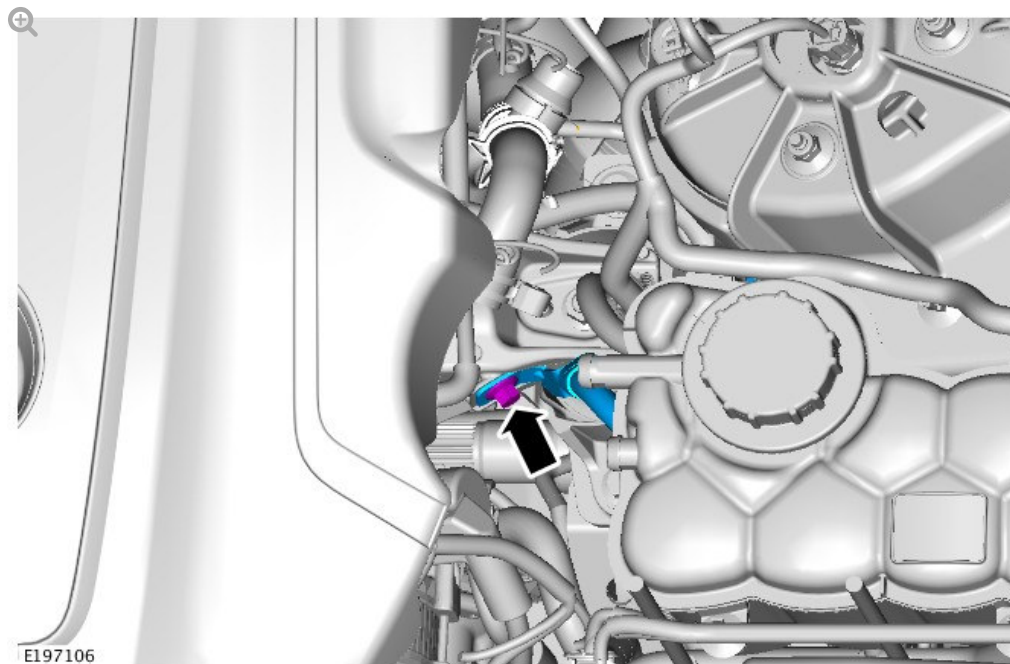
Install the new ground cable and install the fastener.

- Torque: **20 Nm.**

12

NOTE:

Ingenium I4 2.0L Diesel and Ingenium I4 2.0L Petrol only.



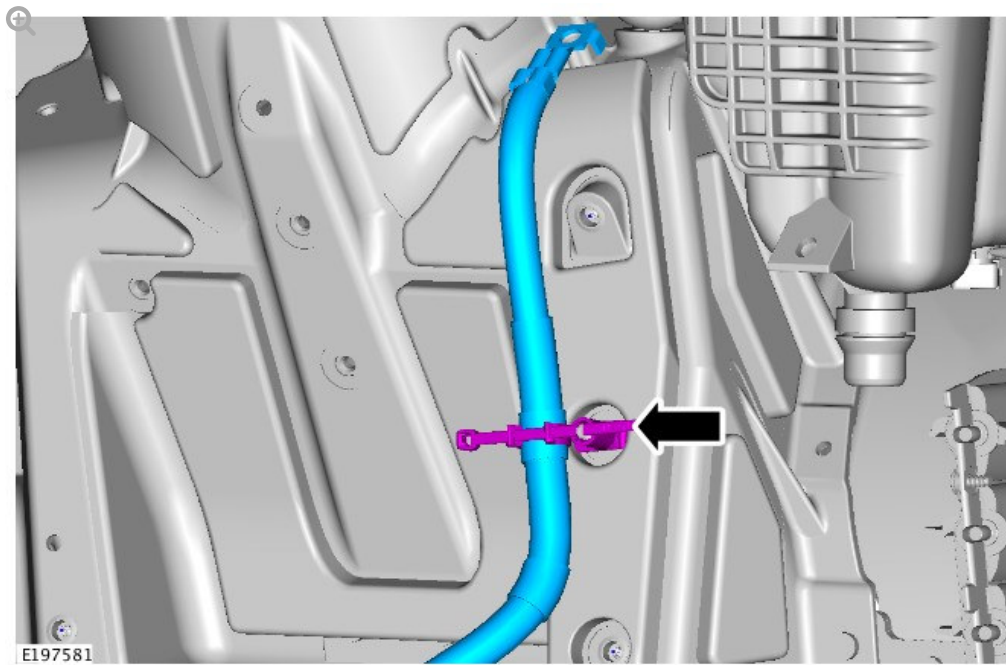
Install the new ground cable and install the fastener.

- Torque: **20 Nm.**

13

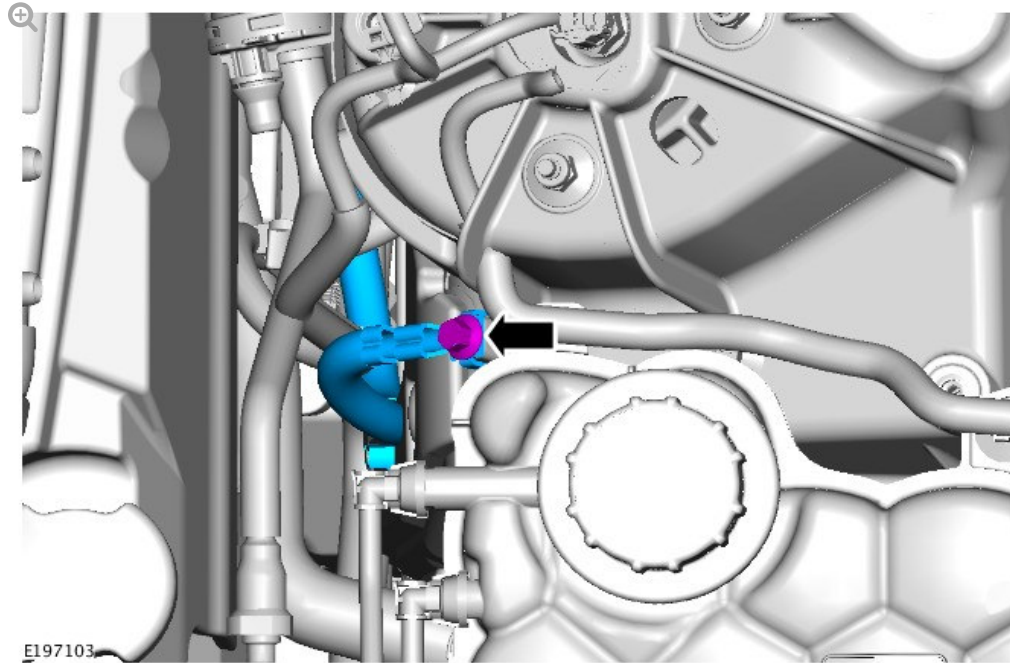
NOTE:

Fastener may be installed to the ground cable but not used on engine variant.



Install the ground cable fastener if previously installed to vehicle.

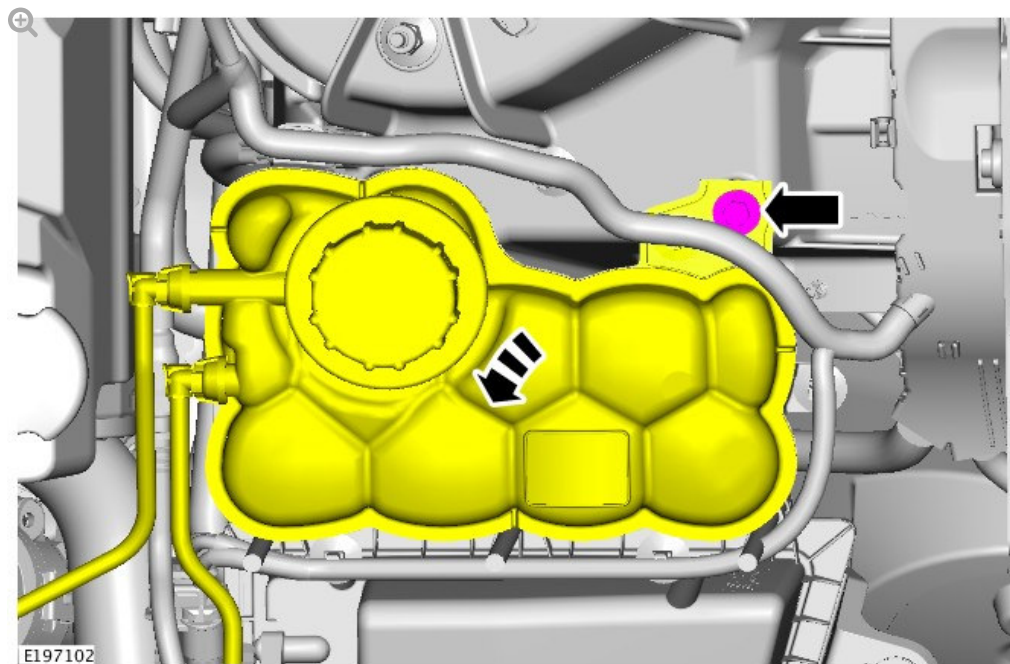
14



Install the ground cable fastener.

- Torque: **20 Nm.**

15



Install the coolant expansion tank.

- Torque: **7 Nm.**

16 Close the hood.

