

JTB00461NAS2

# TECHNICAL BULLETIN

28 JUN 2017



© Jaguar Land Rover North America, LLC

NOTE: The information in Technical Bulletins is intended for use by trained, professional Technicians with the knowledge, tools, and equipment required to do the job properly and safely. It informs these Technicians of conditions that may occur on some vehicles, or provides information that could assist in proper vehicle service. The procedures should not be performed by 'do-it-yourselfers'. If you are not a Retailer, do not assume that a condition described affects your vehicle. Contact an authorized Jaguar service facility to determine whether this bulletin applies to a specific vehicle.

## INFORMATION

---

This reissue replaces all previous versions. Please destroy all previous versions.

---

**SECTION:**

501-12: Instrument Panel and Console

**SUBJECT/CONCERN:**

Sunglasses Holder Will Not Open/Close

**AFFECTED VEHICLE RANGE:**

<b>MODEL:</b>	<b>MODEL YEAR:</b>	<b>VIN:</b>	<b>ASSEMBLY PLANT:</b>
F-PACE (X761)	2017 Onwards	045409 Onwards	Solihull
XE (X760)	2017	942528-999999	Solihull
XE (X760)	2017 Onwards	P10168 Onwards	Castle Bromwich
XF (X260)	2016 Onwards	Y00461 Onwards	Castle Bromwich

**MARKETS:**

NORTH AMERICA

**CONDITION SUMMARY:****SITUATION:**

The front overhead console sunglasses holder may appear to be distorted and will not latch correctly in certain conditions.

**CAUSE:**

This may be caused by hinge pin distortion, allowing the cam mechanism to be displaced and become inoperative.

**ACTION:**

Should a Customer express this concern, follow the Workshop Procedure below.

**PARTS:**

<b>PART NUMBER</b>	<b>DESCRIPTION</b>	<b>QUANTITY:</b>
T2H23526LKP	Sunglasses Holder - Oyster	1
T2H23526PVJ	Sunglasses Holder - Ebony	1

**TOOLS:**

Refer to Workshop Manual for any required special tools.

**WARRANTY:****NOTES:**

- Repair procedures are under constant review, and therefore times are subject to change; those quoted here must be taken as guidance only. Always refer to TOPIx to obtain the latest repair time.
- The JLR Claims Submission System requires the use of causal part numbers. Labor only claims must show the causal part number with a quantity of zero

<b>DESCRIPTION</b>	<b>SRO</b>	<b>TIME (HOURS)</b>	<b>CONDITION CODE</b>	<b>CAUSAL PART</b>
Sunglasses holder - Renew	76.13.23	0.2	07	T2H 21029 LKP

**NOTE:**

Normal Warranty procedures apply.

**COMPONENT LOCATION**

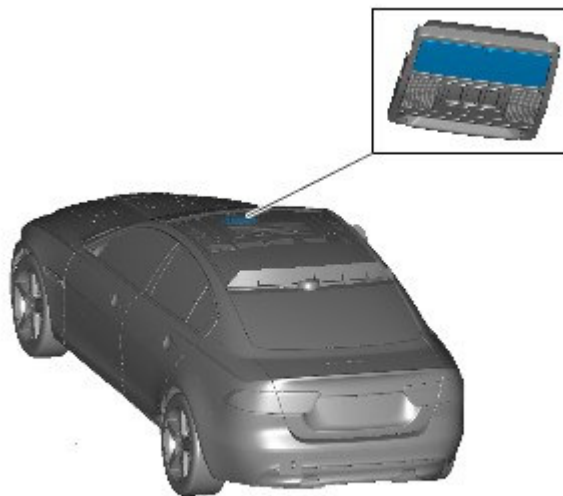
---

---

1

**NOTE:**

XE (X760) shown; F-PACE (X761), XF (X260) similar.



E184931

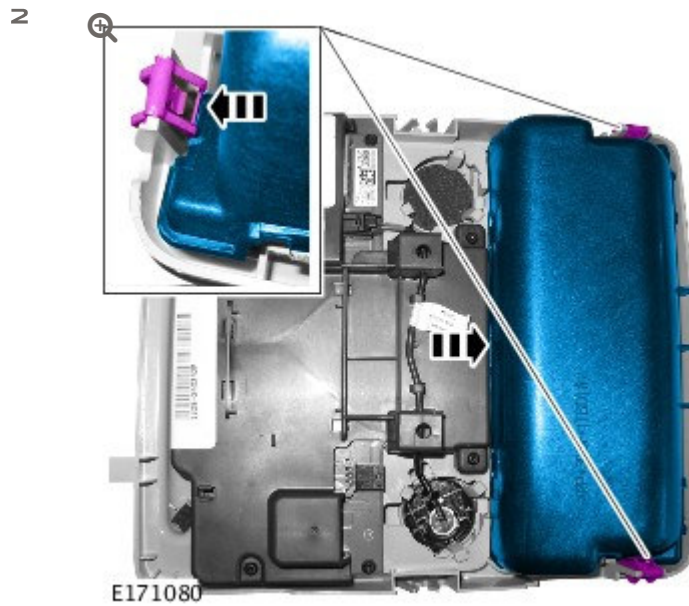
Component location.

**WORKSHOP PROCEDURE:**

---

---

- 1 Remove the overhead console (see TOPIx Workshop Manual section 501-12: Instrument Panel and Console)
-

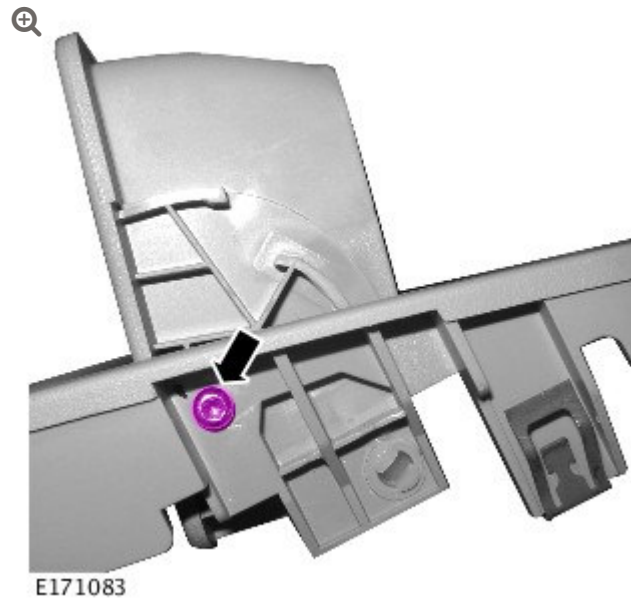


Hold the rear cover and push the sunglasses holder cover in the direction shown.

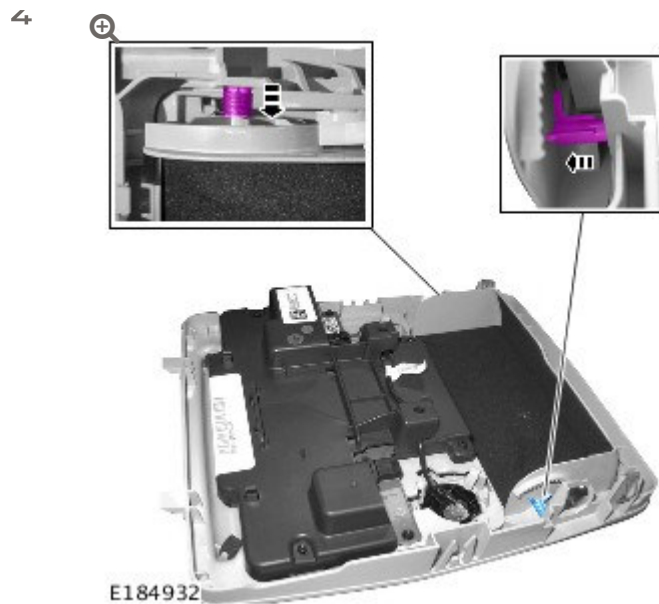
- 1 Lift up to release the 2 rear retaining clips.
- 2 Push the outboard retaining clip tower in direction shown and then the sunglasses holder cover can lift upwards, away from the metal retaining clip.
- 3 Repeat for the other side and remove the sunglasses holder cover from the front overhead console.

---

3

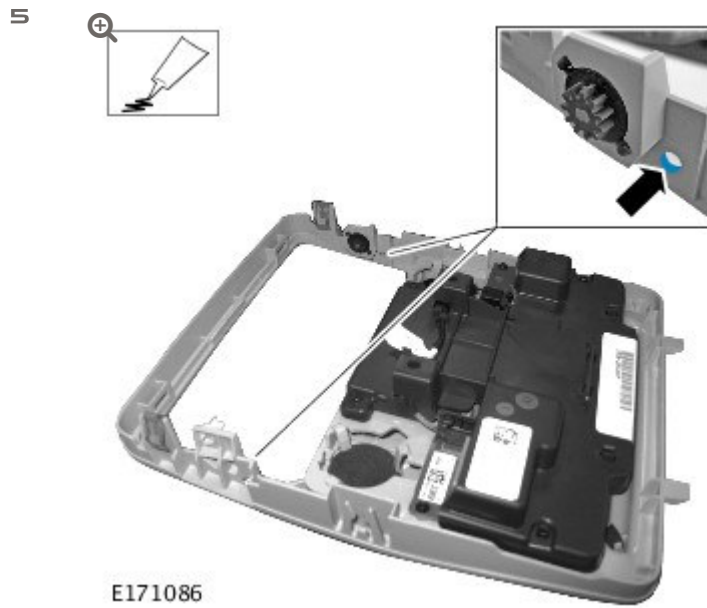


Remove and discard the retaining screw on the side of the sunglasses holder.



Remove and discard the sunglasses holder.

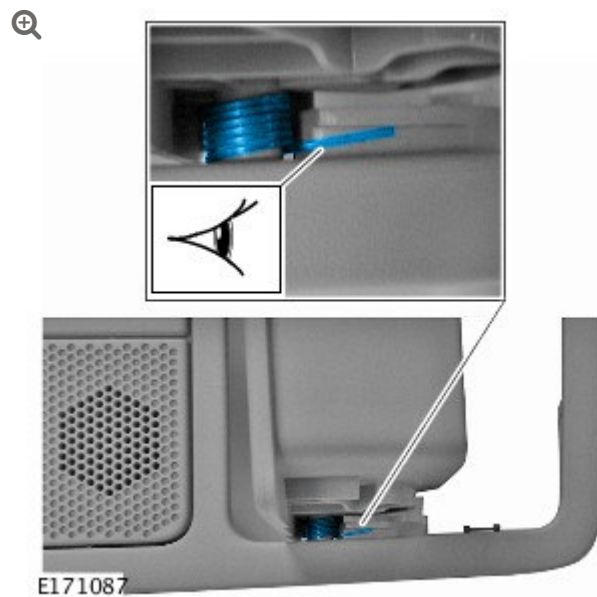
- 1 Remove the pin near to the damper.
- 2 Remove the pin on the other side of sunglasses holder door



Apply Nyogel® 774L (or equivalent) into the hinge pin holes.

6 **NOTE:**

Make sure the spring is positioned correctly.



Install the new sunglasses holder.

- 7 Operate the sunglasses holder 3 times to check correct functionality.

- 
- 8 Install the sunglasses holder cover.

- 
- 9 Install the front overhead console (see TOPIx Workshop Manual section 501-12: Instrument Panel and Console).