

LTB00999NAS1

# TECHNICAL BULLETIN

01 DEC 2016



© Jaguar Land Rover North America, LLC

NOTE: The information in Technical Bulletins is intended for use by trained, professional Technicians with the knowledge, tools, and equipment required to do the job properly and safely. It informs these Technicians of conditions that may occur on some vehicles, or provides information that could assist in proper vehicle service. The procedures should not be performed by 'do-it-yourselfers'. If you are not a Retailer, do not assume that a condition described affects your vehicle. Contact an authorized Land Rover service facility to determine whether this bulletin applies to a specific vehicle.

INFORMATION

---

---

**SECTION:**

501-12

**SUBJECT/CONCERN:**

'Rattle' Noise From Front Row Seating Center Armrest

**AFFECTED VEHICLE RANGE:**

MODEL:	MODEL YEAR:	VIN:	ASSEMBLY PLANT:
Discovery Sport (LC)	2015-2017	500429-640943	Halewood

**MARKETS:**

NAS

**CONDITION SUMMARY:****SITUATION:**

A 'rattle' noise may be evident from the front row seating center armrest.

**CAUSE:**

This may be caused by the front center armrest lid hinges being out of specification, causing excessive movement and a 'rattle' noise.

**ACTION:**

Should a Customer express this concern, follow the Service Instruction below.

**PARTS :**

<b>PART NUMBER</b>	<b>DESCRIPTION</b>	<b>QUANTITY:</b>
LR060740	Front Ctr Armrest - Lunar/Glacia Premium Leather	1
LR060741	Front Ctr Armrest - Cirrus/Lunar Premium Leather	1
LR060742	Front Ctr Armrest - Ebony/Ivory Premium Leather	1
LR060744	Front Ctr Armrest - Tan Premium Leather	1
LR067255	Front Ctr Armrest - Cirrus/Lunar	1
LR067256	Front Ctr Armrest - Ebony	1
LR067257	Front Ctr Armrest - Lunar/Glacia	1
LR067258	Front Ctr Armrest - Ebony/Almond	1
LR067259	Front Ctr Armrest - Ebony/Pimento	1
LR076389	Front Ctr Armrest - Ebony/Ebony Premium Leather	1

**TOOLS :**

Refer to Workshop Manual for any required special tools.

**WARRANTY :****NOTES:**

- Repair procedures are under constant review, and therefore times are subject to change; those quoted here must be taken

as guidance only. Always refer to TOPIx to obtain the latest repair time.

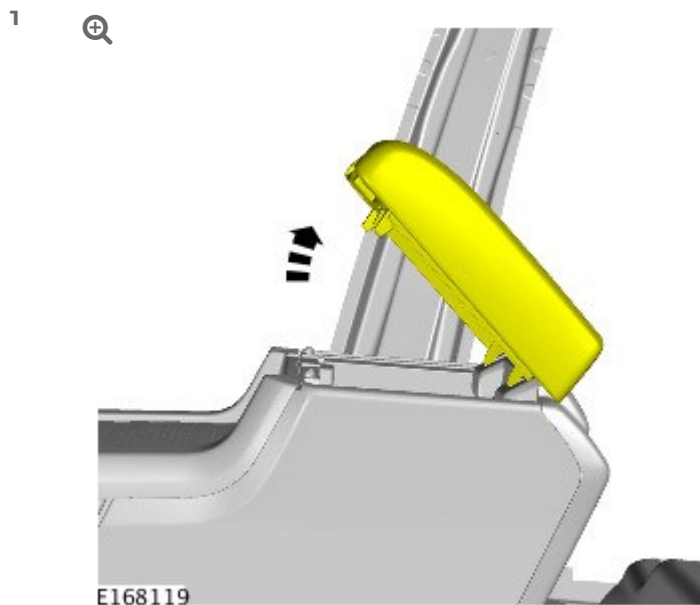
- DDW requires the use of causal part numbers. Labor only claims must show the causal part number with a quantity of zero.

DESCRIPTION	SRO	TIME (HOURS)	CONDITION CODE	CAUSAL PART
Armrest - Center console - Renew	76.25.13	0.3	12	LR067256

**NOTE:**

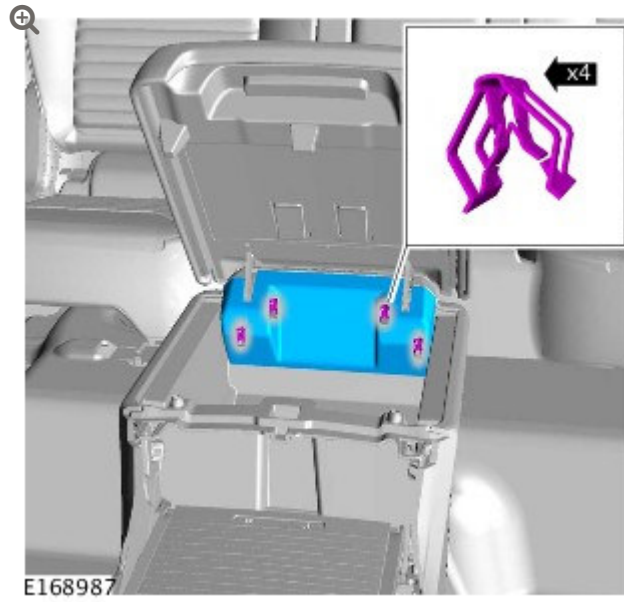
Normal Warranty procedures apply.

SERVICE INSTRUCTION:

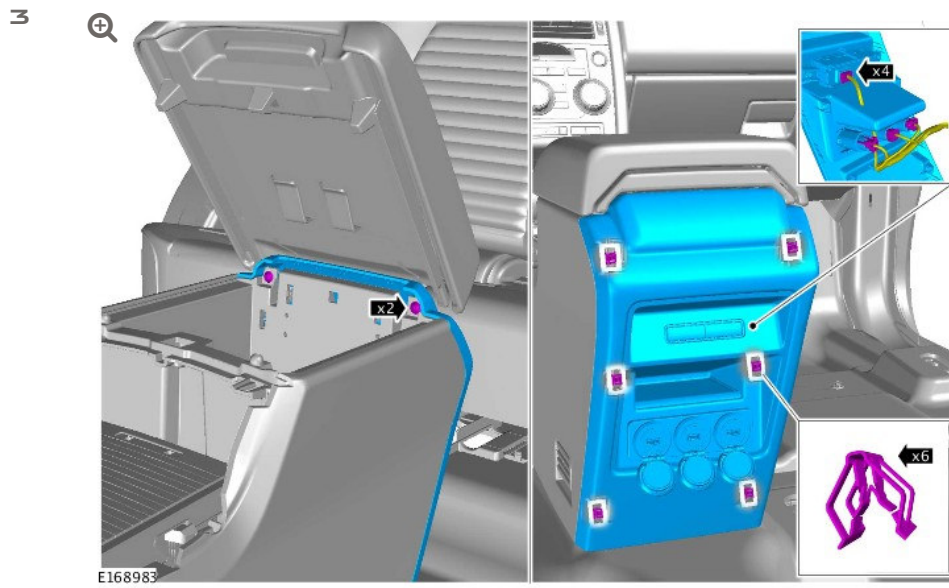


Open the front center armrest lid.

2

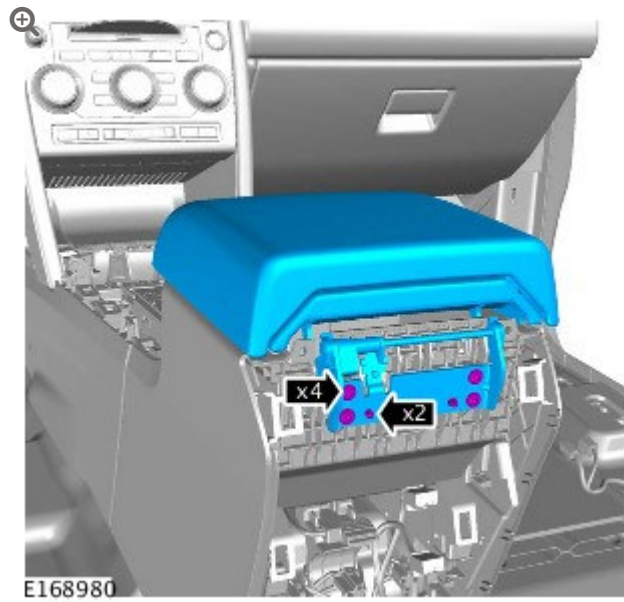


Remove the front center armrest inner trim.

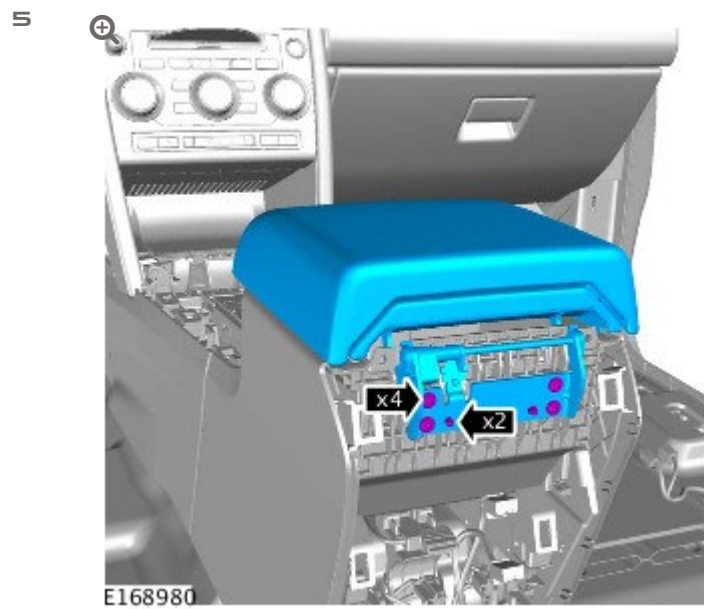


Remove the floor console rear trim.

4



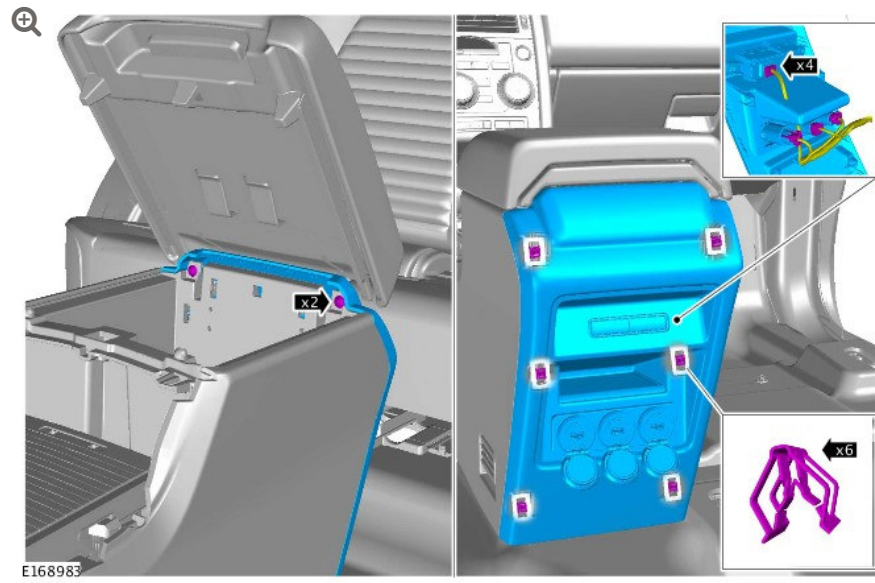
Remove and discard the front center armrest lid.



Install the new front center armrest lid.

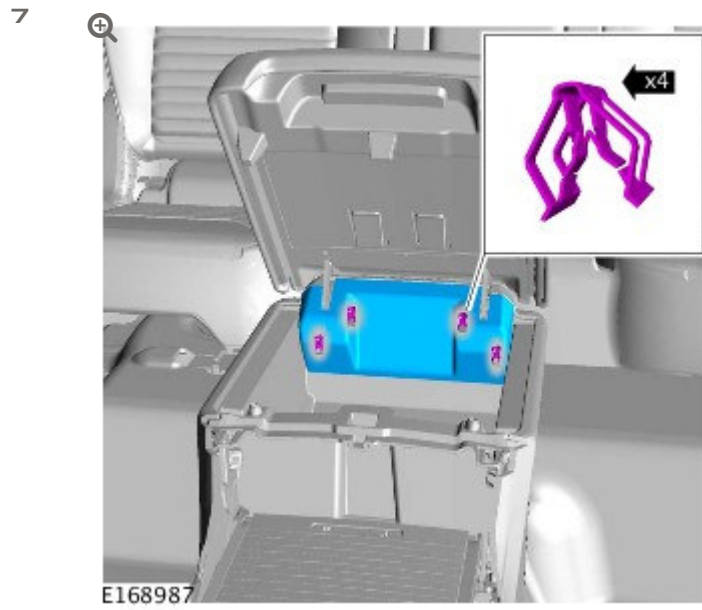
- Torque: **6 Nm**

6



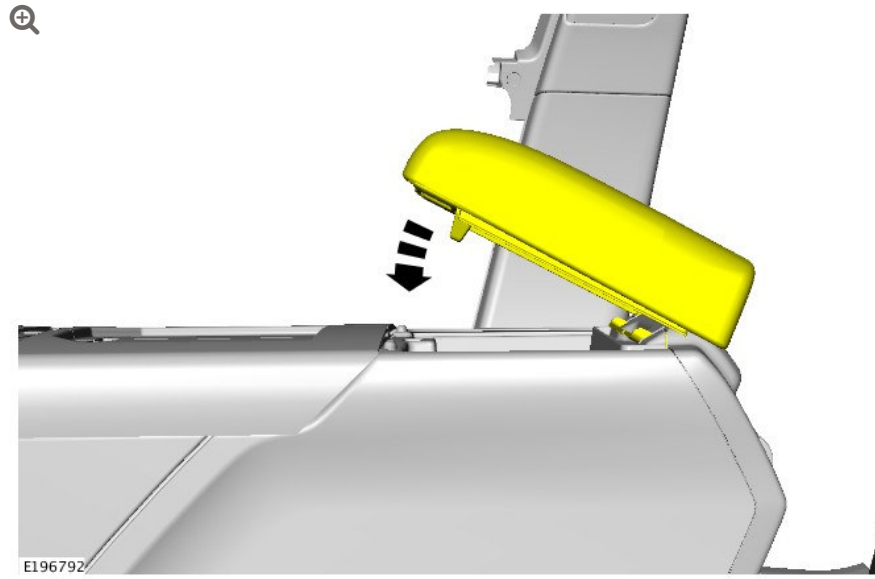
Install the floor console rear trim.

- Torque: **1.5 Nm**



Install the front center armrest inner trim.

8



Close the front center armrest lid.