

TECHNICAL BULLETIN
LTB00998NAS1
01 NOV 2016



© Jaguar Land Rover North America, LLC

NOTE: The information in Technical Bulletins is intended for use by trained, professional Technicians with the knowledge, tools, and equipment required to do the job properly and safely. It informs these Technicians of conditions that may occur on some vehicles, or provides information that could assist in proper vehicle service. The procedures should not be performed by 'do-it-yourselfers'. If you are not a Retailer, do not assume that a condition described affects your vehicle. Contact an authorized Land Rover service facility to determine whether this bulletin applies to a specific vehicle.

SECTION: 501-10

'Chirp' Noise From Second Row Seat(s)

AFFECTED VEHICLE RANGE:

Discovery Sport (LC)

Model Year: 2015-2016
VIN: 501001-544577
Assembly Plant: Halewood

MARKETS:

NAS

CONDITION SUMMARY:

Situation: A 'chirp' noise may be heard coming from the second row seat(s).

Cause: This may be caused by the metal washers fitted to rear floor to enable effective operation of the seats causing the seat locator pins to move. These pins then clash with the body, generating a 'chirp' noise.

Action: Should a Customer express this concern, follow the Service Instruction below.

PARTS:

LR095393 Nylon Spacer 2

TOOLS:

Refer to Workshop Manual for any required special tools.

WARRANTY:



NOTE: Use DDW to check for Program Code Q630 eligibility. If eligible, perform and claim this update as per that program.



NOTE: Repair procedures are under constant review, and therefore times are subject to change; those quoted here must be taken as guidance only. Always refer to TOPIx to obtain the latest repair time.



NOTE: DDW requires the use of causal part numbers. Labor only claims must show the causal part number with a quantity of zero.

DESCRIPTION	SRO	TIME (HOURS)	CONDITION CODE	CAUSAL PART
Left Side - Second Row Seat Locator Pins - Modification	78.85.51	0.4	07	LR087175
Right Side - Second Row Seat Locator Pins - Modification	78.85.52	0.3	07	LR087175



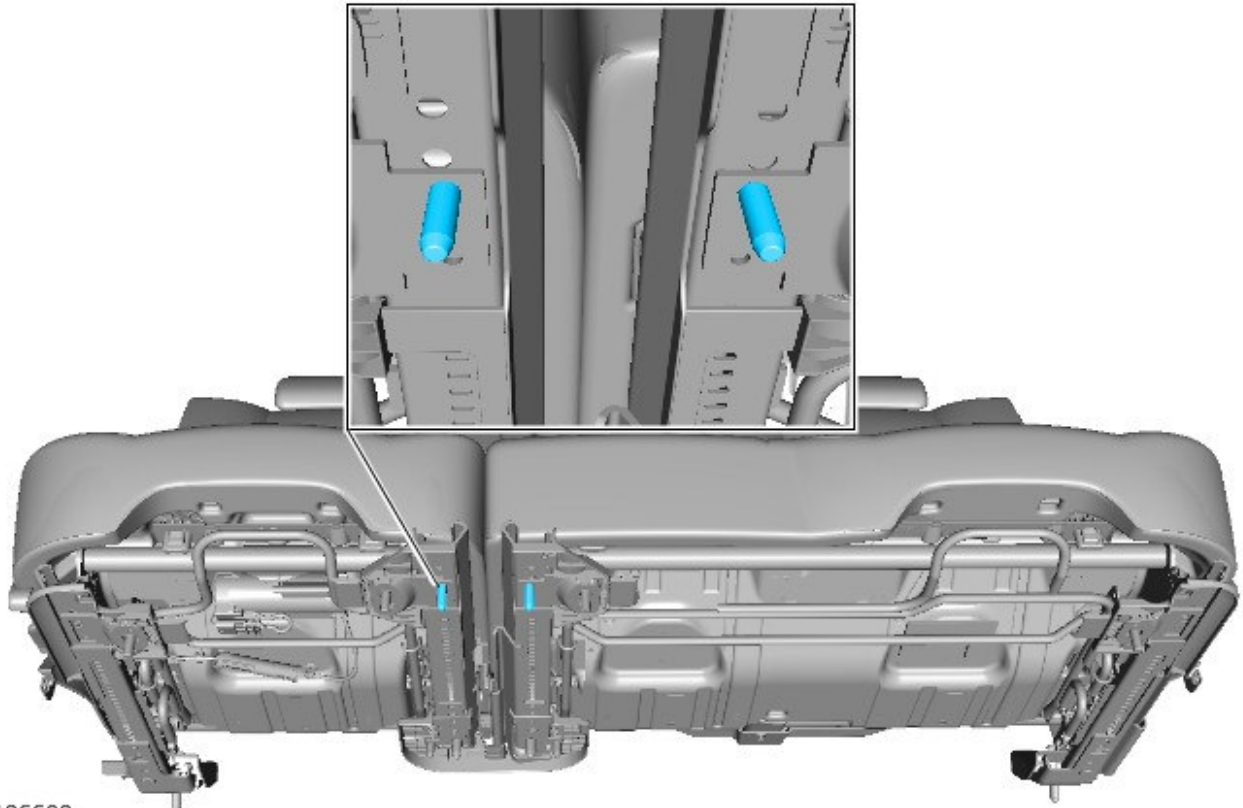
NOTE: Normal Warranty procedures apply.

SERVICE INSTRUCTION:

1. Remove both second sliding seats (see TOPIx Workshop Manual section 501-10: Seating - Rear Seat).

2.  **CAUTION: Place the seats on a flat and clean surface to avoid damage.**

Locate the areas shown.

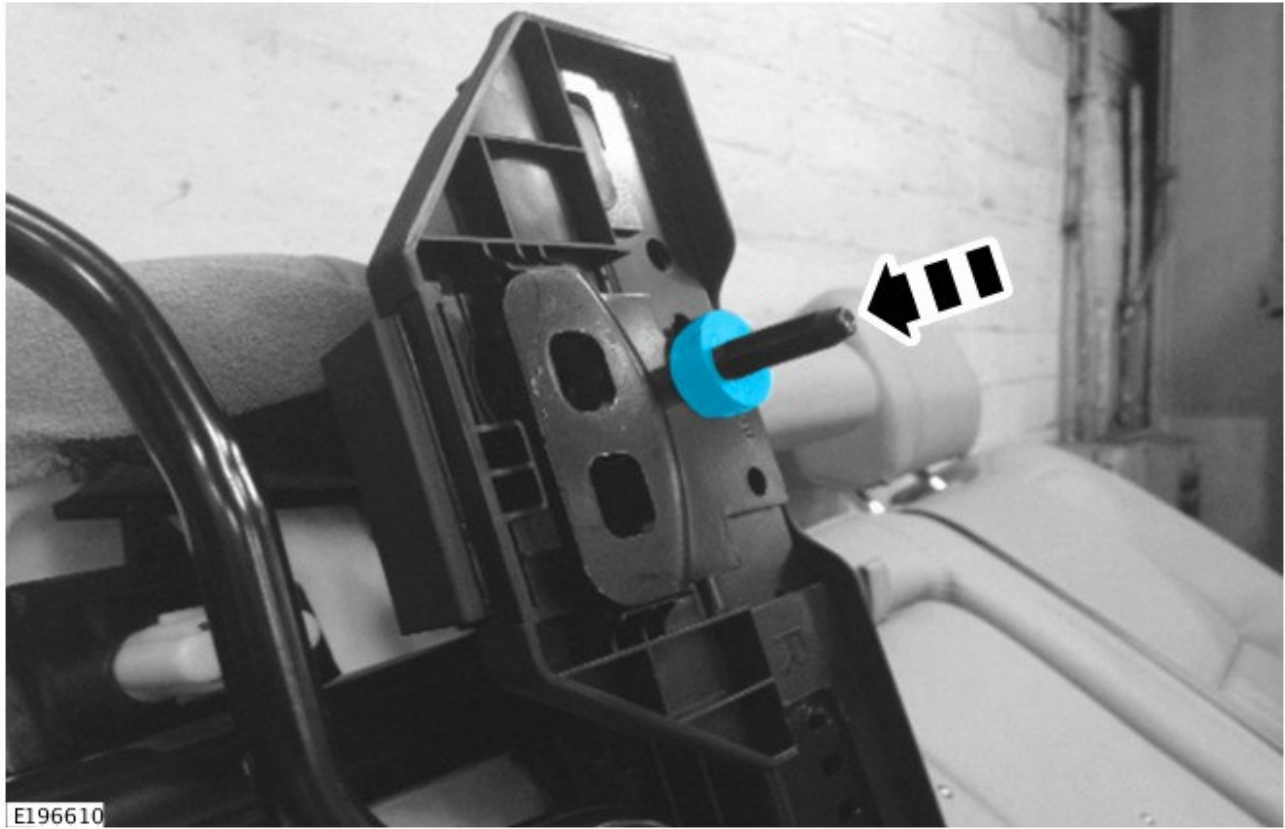


E196609

3.  **NOTE: The existing metal washers should still be installed.**

 **NOTE: Single seat shown; repeat for double seat as shown in Step 2.**

Install the new nylon spacers.



4. Install both second row sliding seats (see TOPIX Workshop Manual section 501-10: Seating - Rear Seat).