

September 15, 2017

07009 Version 1

Water Pump Seizes or the Drive Belt Is Shredded

AFFECTED VEHICLES

Year	Model	Trim	VIN Range
2013–16	Accord	L4 Only	ALL
2013–16	CR-V	ALL	ALL

SYMPTOM

The water pump seized or the drive belt shredded.

POSSIBLE CAUSES

The water pump bearing is out of specification.

CORRECTIVE ACTION

Replace the water pump and drive belt if damaged.

REQUIRED MATERIALS

Part Name	Part Number	Quantity
Honda Genuine Antifreeze/Coolant Type 2	OL999-9011	1

PARTS INFORMATION

Part Name	Part Number	Quantity
Water Pump (2013–14 CR-V)	19200-R5A-A01	1
Water Pump (2015–16 CR-V, 2013–16 Accord)	19200-5A2-A01	1
Drive Belt (Accord with CVT)	31110-5A2-A01	1
Drive Belt (Accord with manual transmission)	31110-5B0-Y01	1
Drive Belt (2013–14 CR-V)	31110-R5A-A01	1
Drive Belt (2015–16 CR-V)	31110-5LA-A02	1

CUSTOMER INFORMATION: The information in this bulletin is intended for use only by skilled technicians who have the proper tools, equipment, and training to correctly and safely maintain your vehicle. These procedures should not be attempted by “do-it-yourselfers,” and you should not assume this bulletin applies to your vehicle, or that your vehicle has the condition described. To determine whether this information applies, contact an authorized Honda automobile dealer.

WARRANTY CLAIM INFORMATION

The normal warranty applies.

Operation Number	Description	Flat Rate Time	Defect Code	Symptom Code	Template ID	Failed Part Number
113100	2013–16 Accord (All): Replace the water pump only.	1.4 hrs	02301	03217	A17063A	19200-5A2-A01
113100	2013–16 Accord (CVT): Replace the water pump and drive belt (if necessary).	1.4 hrs	02301	03217	A17063B	19200-5A2-A01
113100	2013–16 Accord M/T: Replace the water pump and drive belt (if necessary).	1.4 hrs	02301	03217	A17063C	19200-5A2-A01

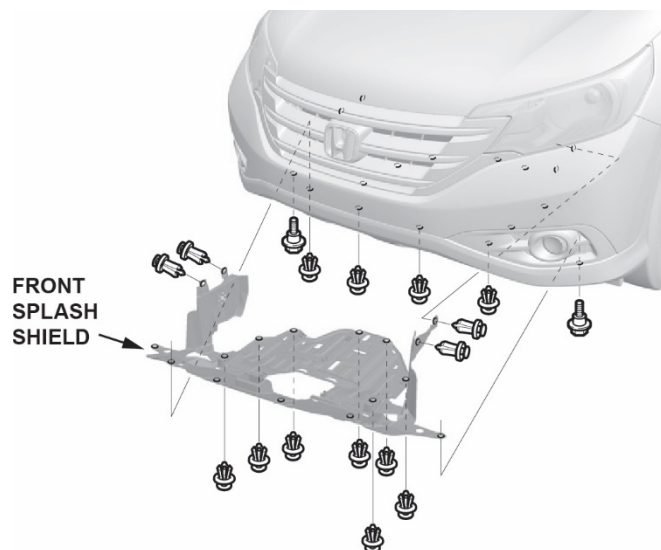
113100	2013–14 CR-V: Replace the water pump only.	1.8 hrs	02301	03217	A17063D	19200-5A2-A01
113100	2013–14 CR-V: Replace the water pump and drive belt (if necessary).	1.8 hrs	02301	03217	A17063E	19200-5A2-A01

113100	2015–16 CR-V: Replace the water pump only.	1.7 hrs	02301	03217	A17063F	19200-5A2-A01
113100	2015–16 CR-V: Replace the water pump and drive belt (if necessary).	1.7 hrs	02301	03217	A17063G	19200-5A2-A01

Skill Level: Repair Technician

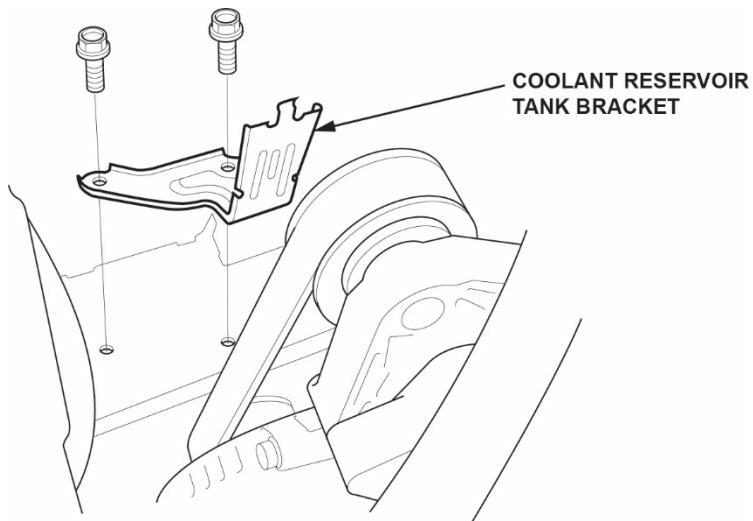
REPAIR PROCEDURE 2013–14 CR-V

1. Raise the vehicle on a lift, and make sure it is securely supported.
2. Remove the right front wheel.
3. Remove the bolts, then remove the clips that secure the front inner fender and the front splash shield to the body.

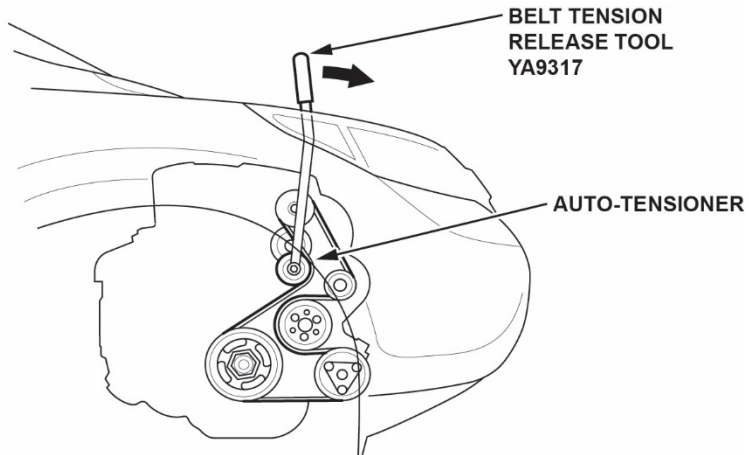


4. From under the front bumper, remove the clips.
5. From under the body, remove the clips, then pull out the front splash shield.
6. Loosen the drain plug, and drain the coolant.

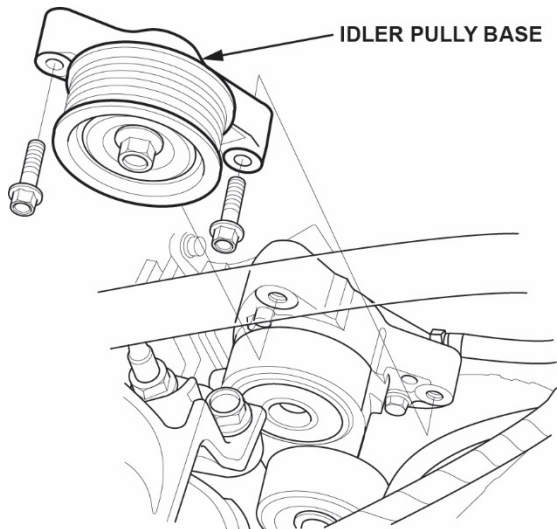
7. After the coolant has drained, tighten the drain plug securely.
8. Move the coolant reservoir.
9. Remove the coolant reservoir tank bracket.



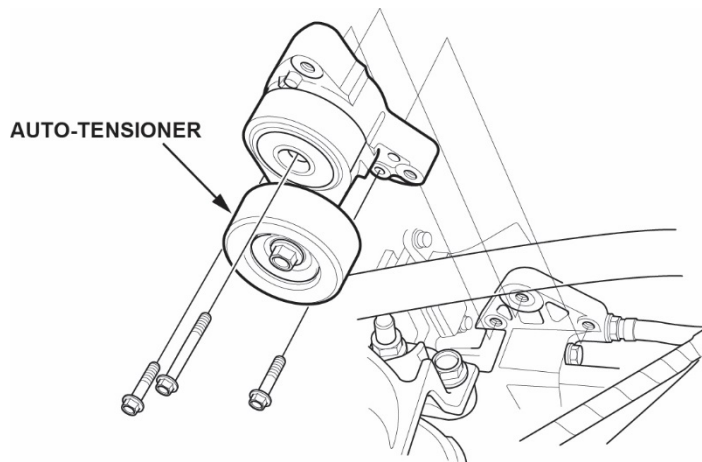
10. Move the auto-tensioner using the belt tension release tool in the direction of the arrow to relieve tension from the drive belt, then remove the drive belt.



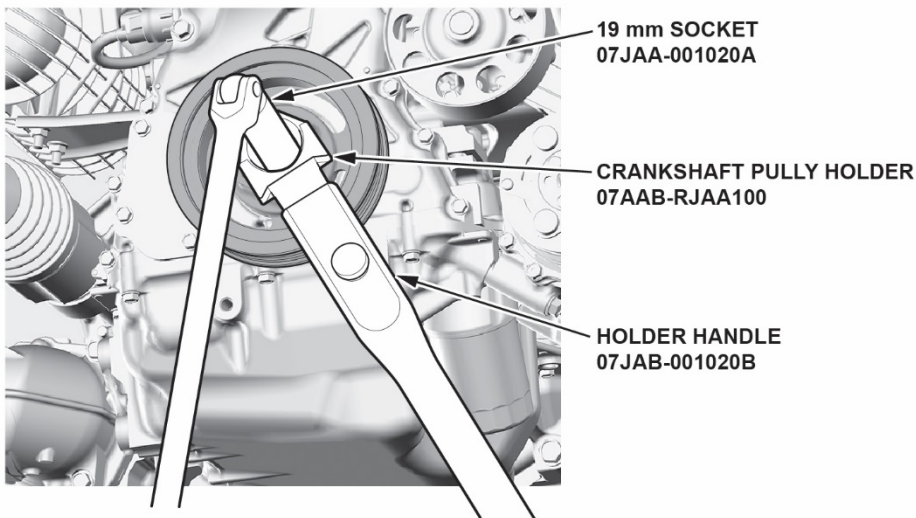
11. Remove the idler pulley base.



12. Remove the auto-tensioner.

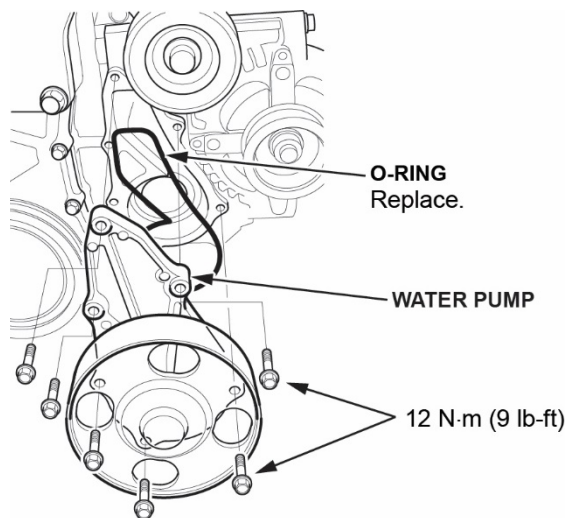


13. Hold the pulley with the holder handle and the crankshaft pulley holder.



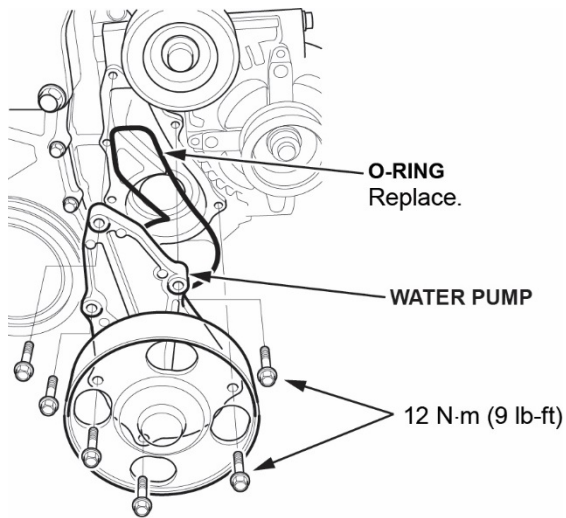
14. Remove the bolt with a socket and a breaker bar, then remove the crankshaft pulley.

15. Remove the water pump.

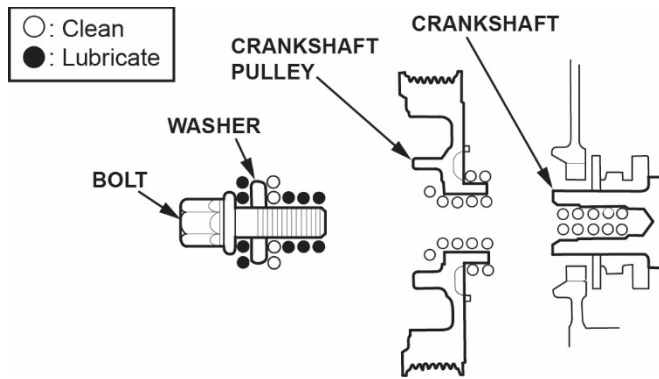


16. Inspect and clean the mating surface of the engine block.

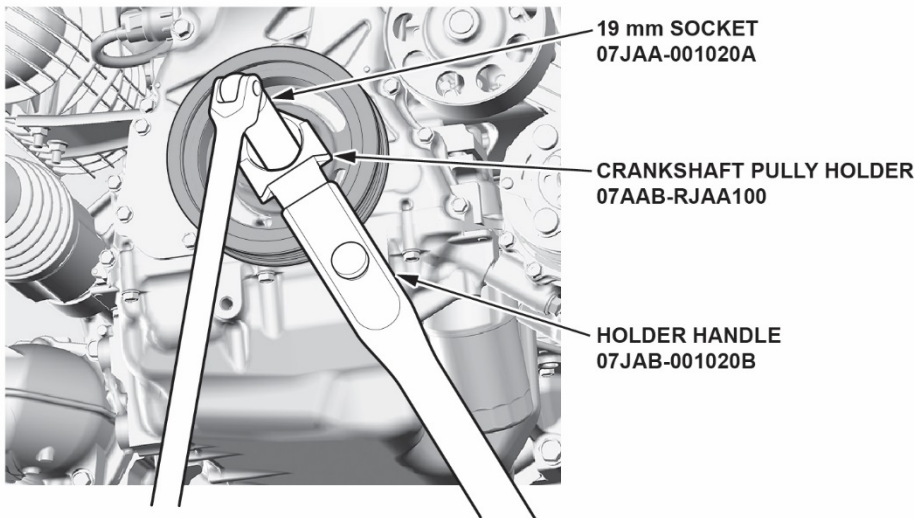
17. Install the water pump with a new O-ring, then torque the bolts to **12 N·m (9 lb-ft)**.



18. Clean the crankshaft pulley, the crankshaft, the bolt, and the washer. Lubricate with new engine oil as shown.



19. Install the crankshaft pulley, then hold the pulley with the holder handle and the crankshaft pulley holder.

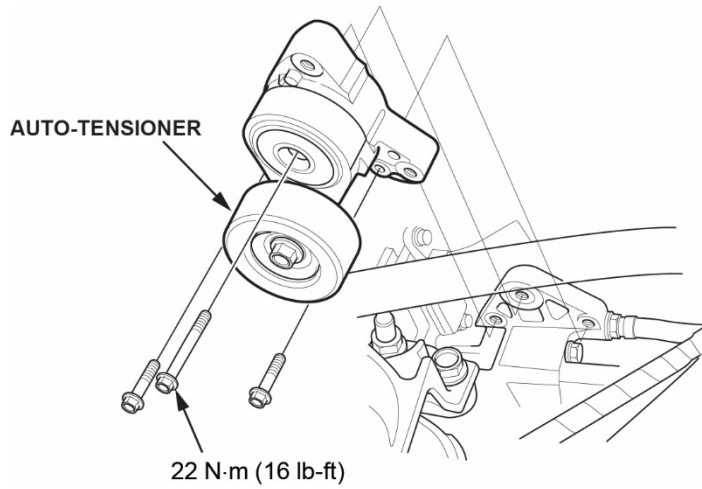


20. Torque the bolt to **50 N·m (37 lb-ft)** with a torque wrench and a 19mm socket. Do not use an impact wrench.

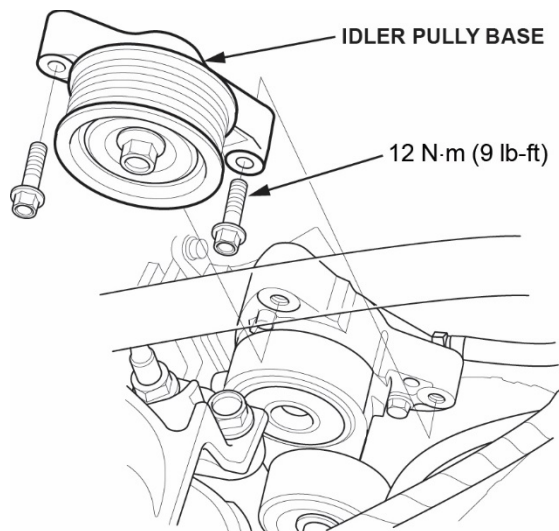
NOTE: If the pulley bolt or crankshaft are new, torque the bolt to **177 N·m (131 lb-ft)**, then remove the bolt, and torque it to **50 N·m (37 lb-ft)**.

21. Tighten the pulley bolt an additional 90°.

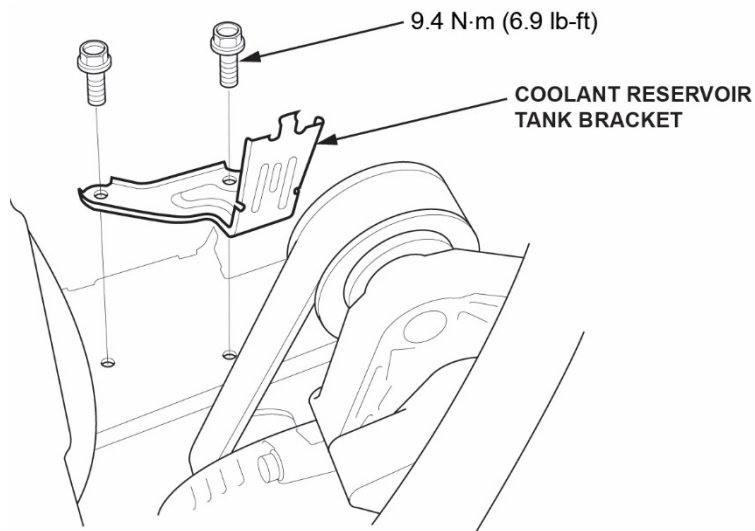
22. Install the auto-tensioner, and torque the bolts to **22 N·m (16 lb-ft)**.



23. Install the idler pulley base, and torque the bolts to **12 N·m (9 lb-ft)**.



24. Install the coolant reservoir tank bracket, and torque the bolts to **9.4 N·m (6.9 lb-ft)**.



25. Install the coolant reservoir and the drive belt.

26. Install the front splash shield.

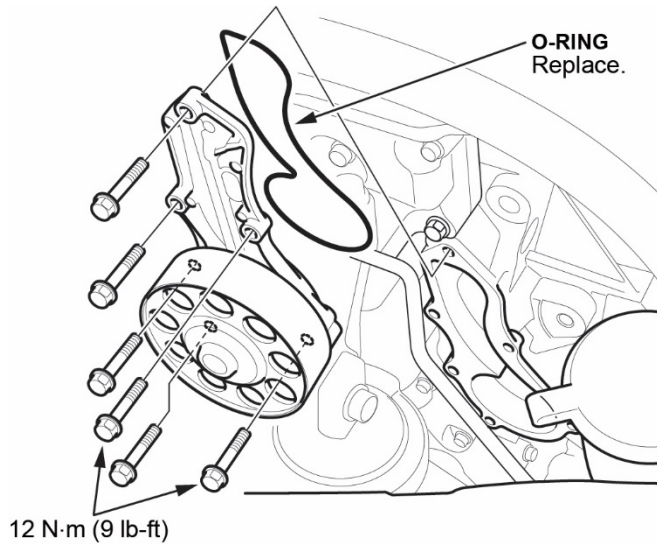
27. Install the wheel, and torque the nuts to **108 N·m (80 lb-ft)**.

28. Fill the engine with coolant.

REPAIR PROCEDURE 2013–16 ACCORD, 2015–16 CR-V

NOTE: This procedure is in an outline form. For more information, see the service information.

1. Drain the engine coolant.
2. Disconnect the 12-volt battery terminal (if required).
3. Remove the drive belt.
4. Remove the drive belt auto tensioner.
5. Remove the alternator (if required).
6. Remove the water pump.



7. Install the new water pump, and torque the bolts to **12 N·m (9 lb-ft)**.
8. Install the alternator, and torque the bolts to **45 N·m (33 lb-ft)** (if required).
9. Install all remaining parts in the reverse order of removal.
10. Fill the engine coolant.

END