



# WARRANTY BULLETIN

## Warranty Campaign

**CAUTION:** All involved customers must be notified, all involved units must be corrected as per instruction herein.

Campaign no.: 2014-0003

March 27th, 2014

Subject: **A - Possible Defective Ignition Switch**  
**B - Fast Flasher Blink Rate**

No. **2014-2**

YEAR	MODEL	MODEL NUMBER	SERIAL NUMBER
2014	RS - ST - RT	ALL	See list

## PROBLEMS

### A - Possible Defective Ignition Switch

A limited number of ignition switches may be defective. The potential failure may include:

- Unable to turn key in ignition switch
- Unable to remove key from ignition switch.

### B - Fast Flasher Blink Rate

The multifunction gauge cluster requires re-calibration of the flasher blink rate.

## SOLUTIONS

### A - Possible Defective Ignition Switch

1. Compare the number on the key tag to the list provided.

NOTE: The key tag is attached to the key in the glove box.



rst2014-004-001

EXAMPLE - KEY TAG

2. If the number on the tag is found in the list of affected key tags, replace the ignition switch. Refer to *PROCEDURES* in this publication.

NOTE: For RT models, if the ignition switch requires replacement, also replace the key barrel for the rear cargo module.

## B - Fast Flasher Blink Rate

Re-calibrate the multifunction gauge cluster as follows.

1. Set ignition key to "ON".
2. Make sure all flashers are functional.
3. Press and hold the hazard button for 30 seconds.

NOTE: The Cluster pilot lights will flash once quickly confirming the calibration has been successful carried out.

## PARTS REQUIRED

### Solution A

Order parts through the regular channel.

DESCRIPTION	PART NUMBER	QTY
Ignition Switch	710 003 598	1

Please note that shipping of parts will be prioritized according to seasonality.

### Solution B

No parts required.

## PROCEDURES

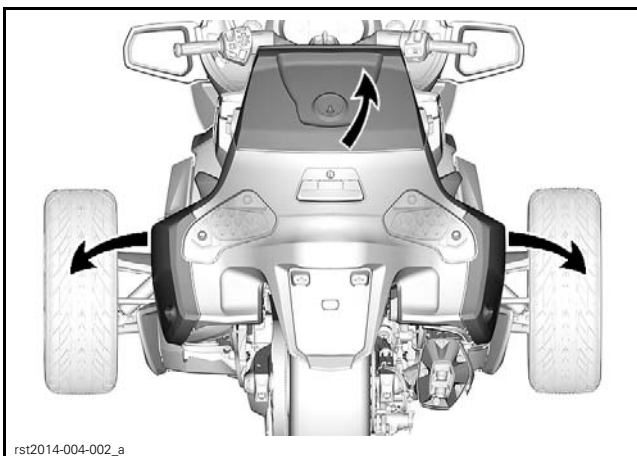
### Ignition Switch Replacement

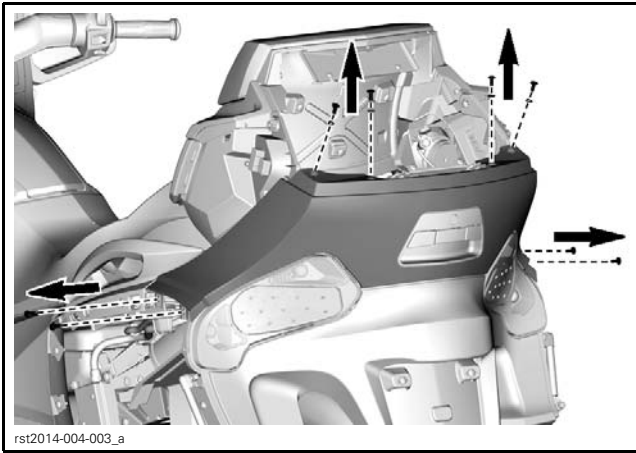
Replace ignition switch and program keys as per references listed in following table.

PROCEDURE REFERENCES			
PROCEDURE	MODELS	REQUIRED PUBLICATION	REFERENCE
Ignition switch replacement	All	2013 Roadster Shop Manual Spyder Series	Electrical System / Ignition System / Procedures / Ignition Switch
Ignition key programming	All	2014 Roadster Shop Manual Supplement Spyder RT	Electrical System / Digitally Encoded Security System (D.E.S.S.) / Procedures / Key Programming

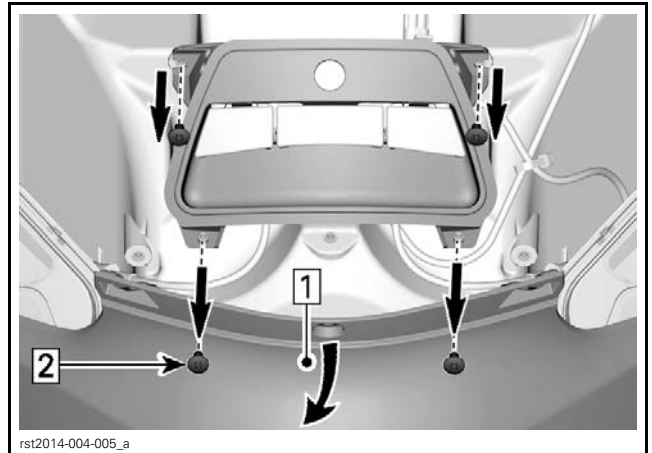
### Cargo Module Key Barrel Replacement (RT Models)

#### Key Barrel Removal

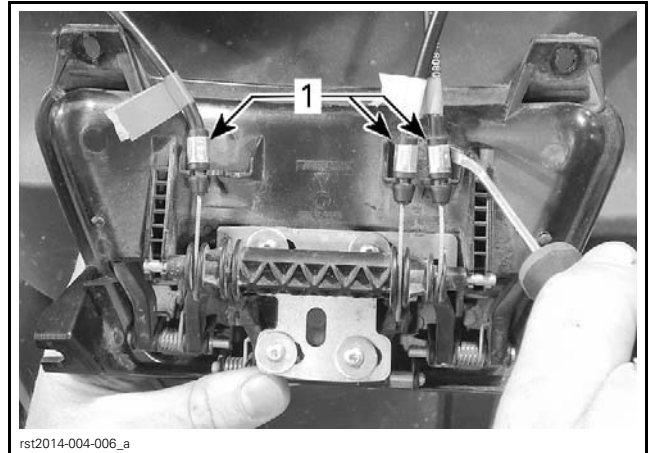
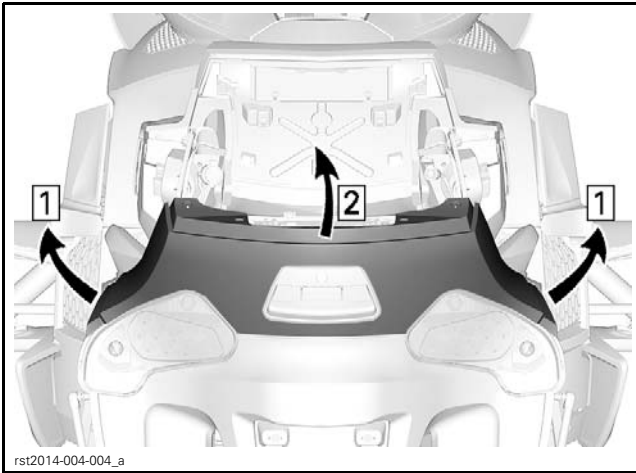




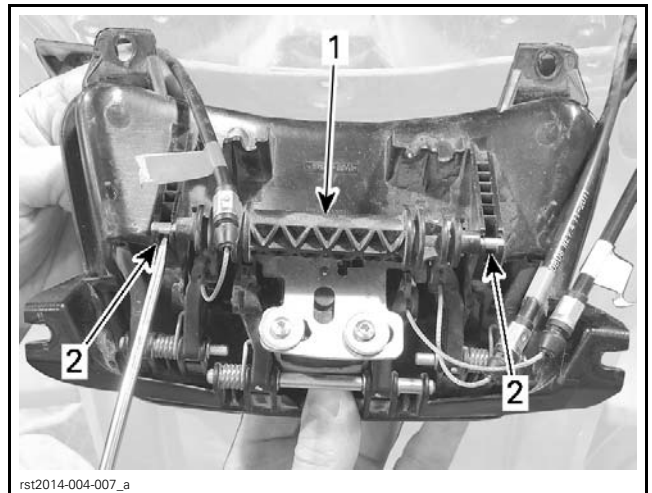
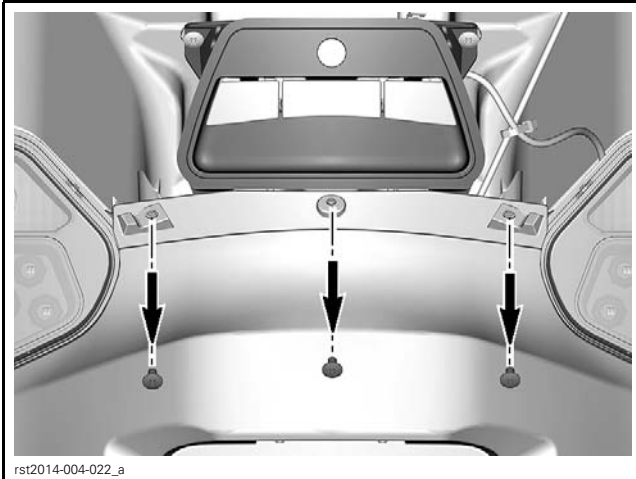
8 SCREWS AND 4 WASHERS (TOP) TO REMOVE



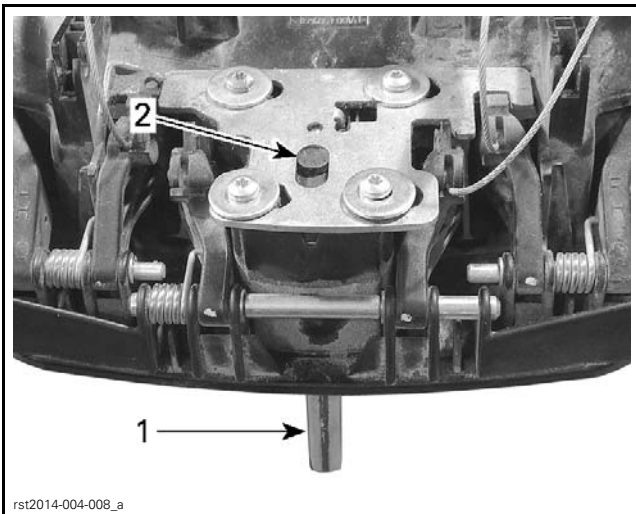
1. Pull edge of panel down for access
2. Remove screws (4x)



1. Remove cables from latch support



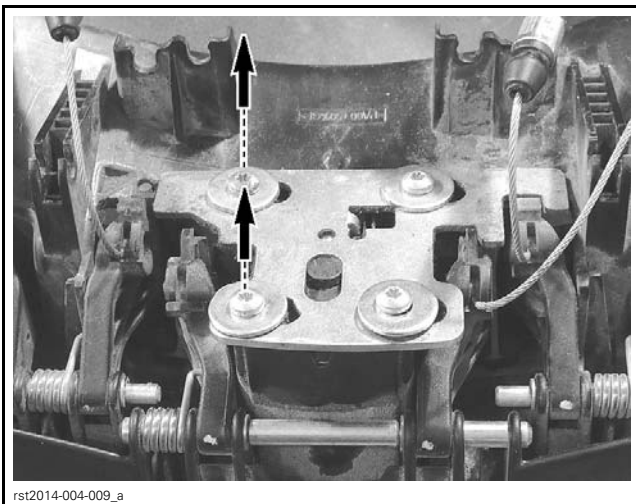
1. Cable roller
2. Remove here



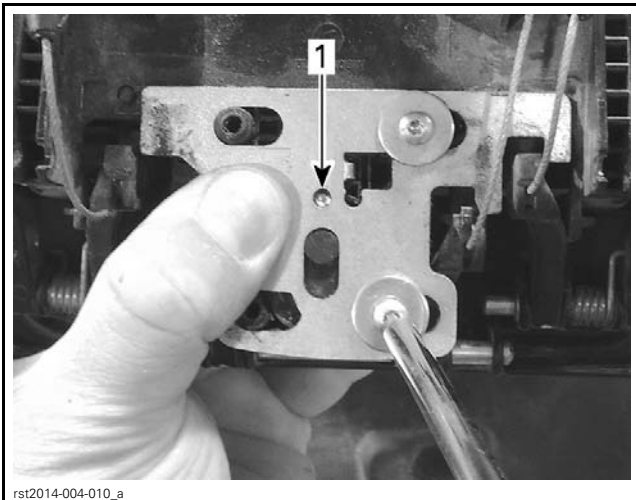
rst2014-004-008\_a

**IMPORTANT**

- 1. Key in unlock position (vertical)
- 2. Cam lobe in unlock position (away from you)



rst2014-004-009\_a



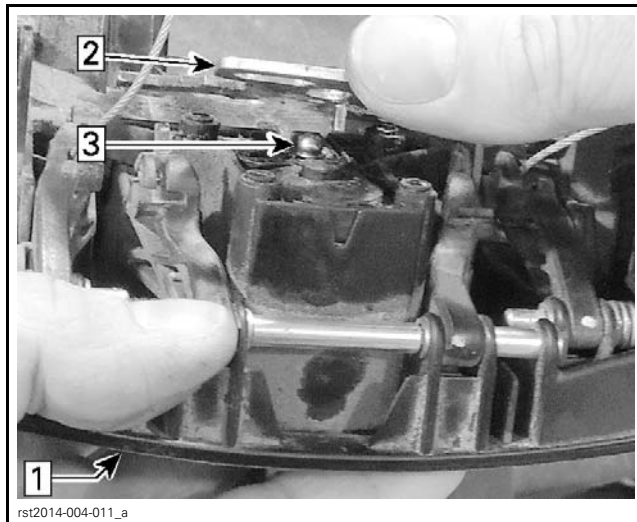
rst2014-004-010\_a

- 1. Ball and spring location under cam plate



rst2014-004-012\_a

**DO NOT LOSE**

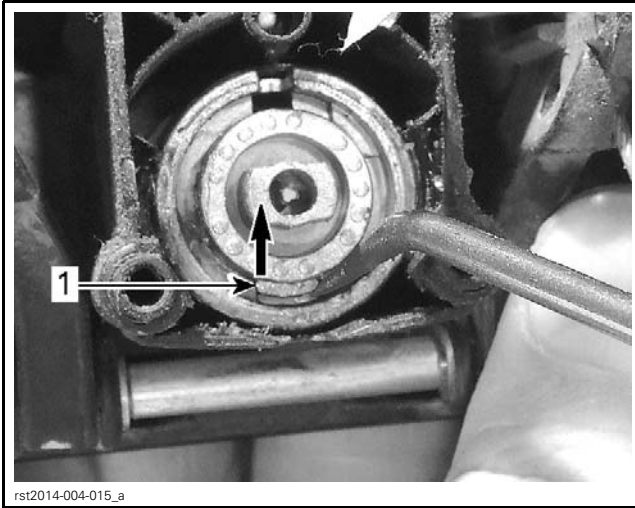


rst2014-004-011\_a

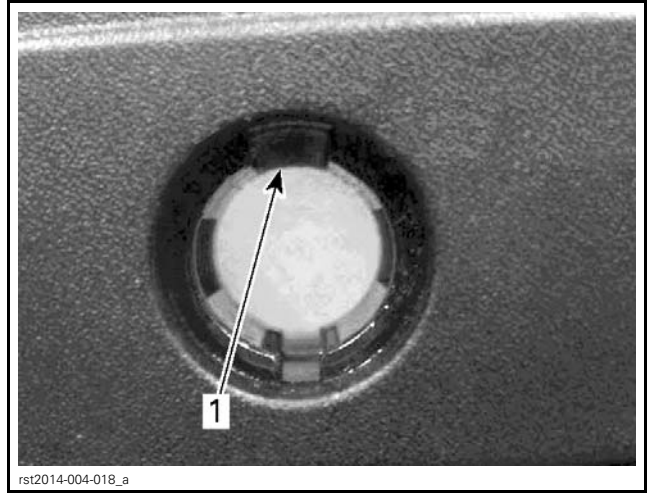
- Step 1: Hold latch assembly horizontal
- Step 2: Gently remove cam plate
- Step 3: Remove cam lock ball and spring



rst2014-004-013



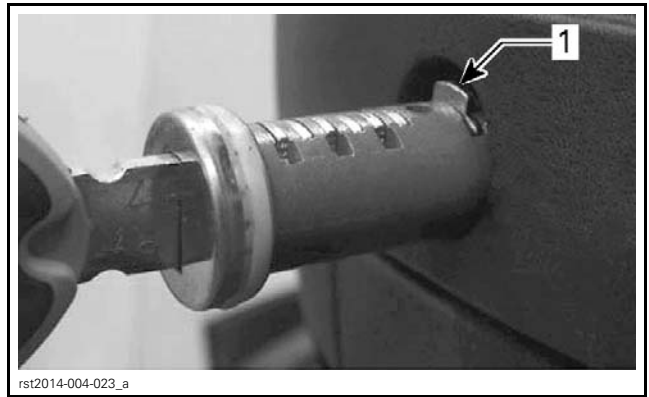
1. Push in barrel lock tab



1. Key barrel location tab



rst2014-004-016\_a



rst2014-004-023\_a

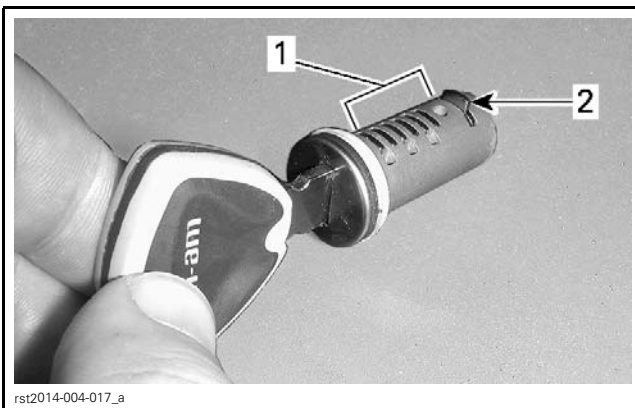
**LOCKING TAB ORIENTATION**

A. Locking tab up towards location tab

3. Insert key barrel in latch assembly and firmly push barrel in unit until a "CLICK" is heard.

**Key Barrel Installation**

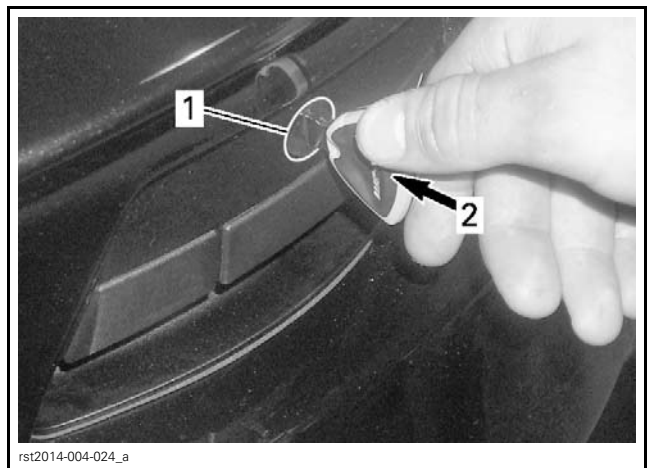
1. Insert new vehicle key in new key barrel.



rst2014-004-017\_a

- 1. Key pins retracted flush
- 2. Locking tab out

2. Orient the key barrel vertically so the barrel locking tab is facing the location tab on the latch assembly mounting panel.



rst2014-004-024\_a

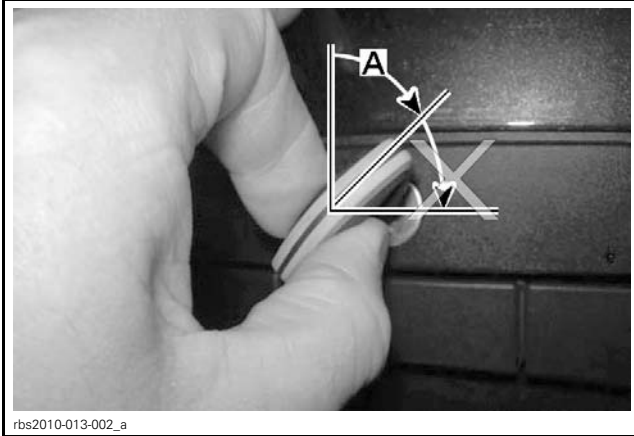
- 1. Key barrel
- 2. Push key barrel with key (inserted)

**NOTE:** The "CLICK" sound confirms the barrel is fully engaged.

## Key Barrel Installation Verification

1. To ensure the key barrel is fully seated and properly locked in its socket:

- 1.1 Turn key **45 degrees** clockwise from the unlocked position (vertical).
- 1.2 Try to pull key out.



rbs2010-013-002\_a

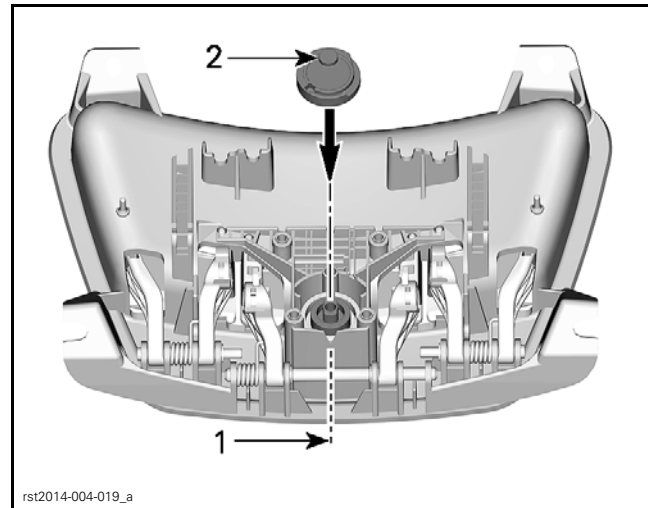
A. 45° MAXIMUM key rotation required

KEY BARREL INSTALLATION VERIFICATION		
CONDITION		CORRECTION
Key barrel cannot be pulled out (stays in place)	Correct installation	None
Key barrel can be pulled out with the key turned in the unlocked position.	Incorrect installation	Turn key to unlocked position (vertical), firmly push key and barrel in until it "clicks".

2. If key barrel remains fully seated, turn key to "locked" and "unlocked" positions alternately and ensure key can be easily removed and inserted at each position.

## Latch Mechanism Assembly and Installation

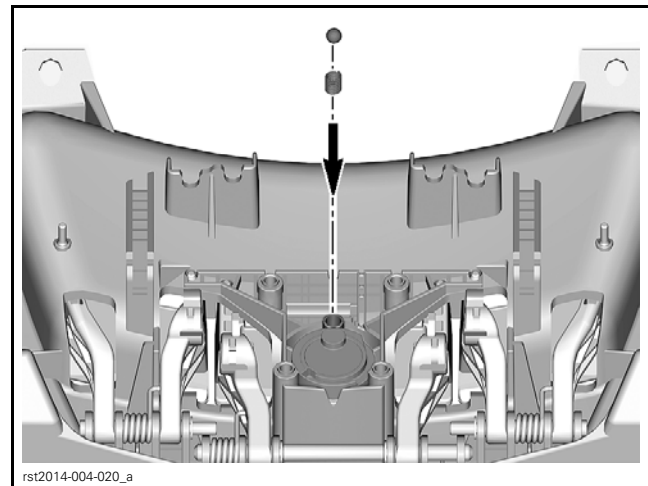
Reverse the removal procedures. However, pay attention to the details in following illustrations.



rst2014-004-019\_a

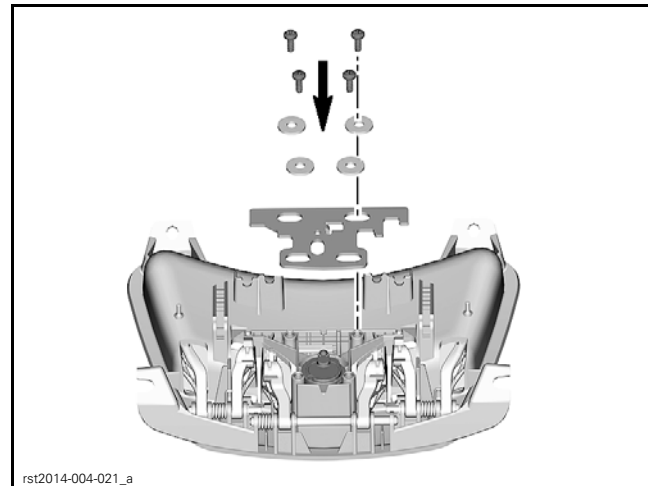
### LOCK CAM INSTALLATION

1. Key and key barrel vertical in unlock position
2. Lock cam in unlock position



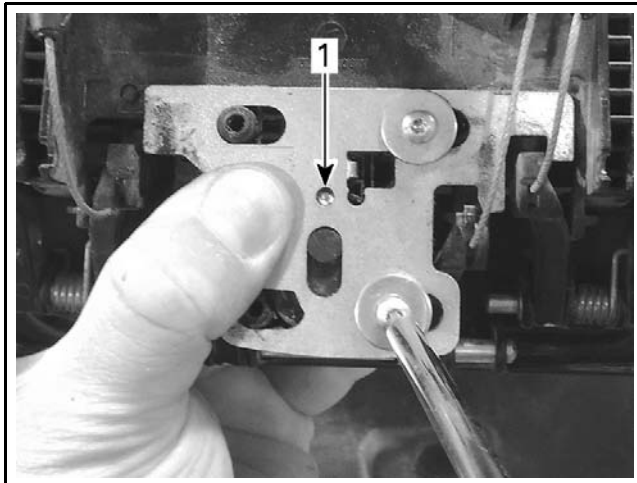
rst2014-004-020\_a

### SPRING AND BALL INSERTION



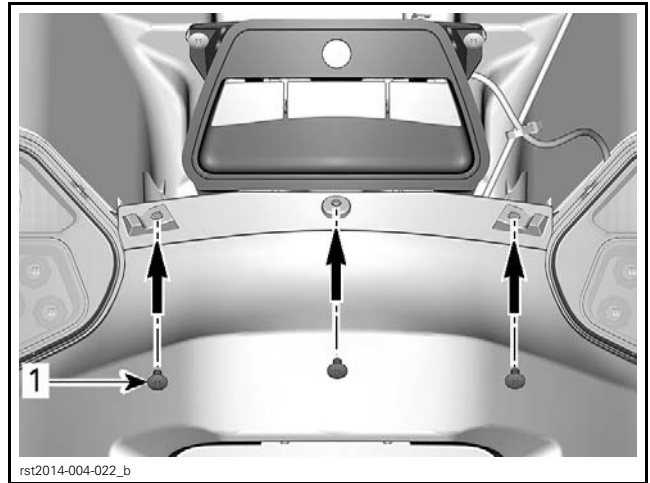
rst2014-004-021\_a

### CAM PLATE INSTALLATION



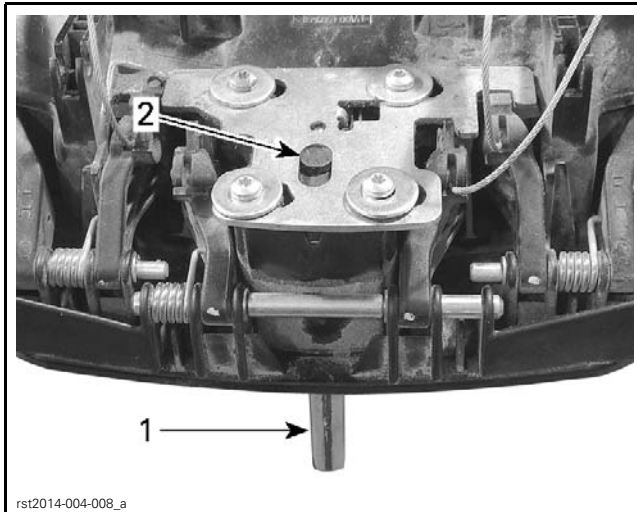
rst2014-004-010\_a

1. Ball and spring location under cam plate



rst2014-004-022\_b

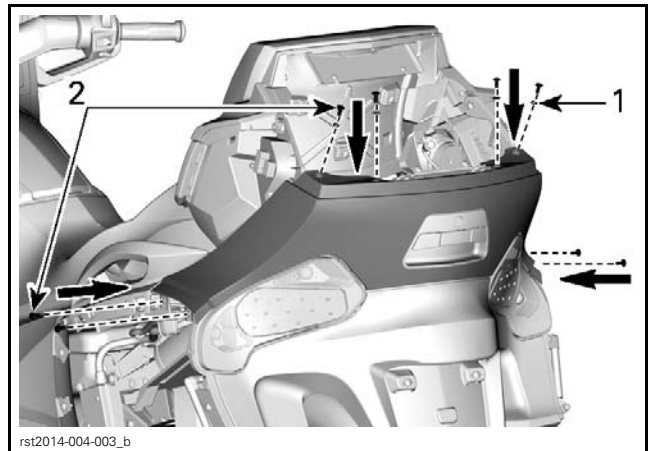
1.  $3.5\text{N}\cdot\text{m} \pm 0.5\text{N}\cdot\text{m}$  (31 lbf•in  $\pm$  4 lbf•in)



rst2014-004-008\_a

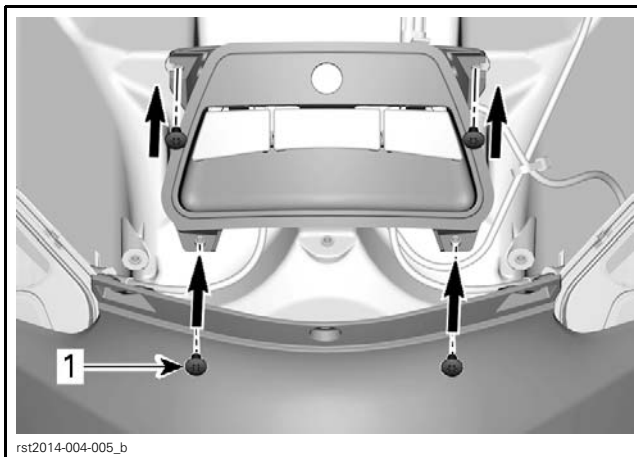
**IMPORTANT**

1. Key in unlock position (vertical)
2. Cam lobe in unlock position (away from you)



rst2014-004-003\_b

1. Washer (one each top screw)
2.  $3.5\text{N}\cdot\text{m} \pm 0.5\text{N}\cdot\text{m}$  (31 lbf•in  $\pm$  4 lbf•in)



rst2014-004-005\_b

1.  $2.5\text{N}\cdot\text{m} \pm 0.5\text{N}\cdot\text{m}$  (22 lbf•in  $\pm$  4 lbf•in)



# WARRANTY

## Involved Vehicles Claiming

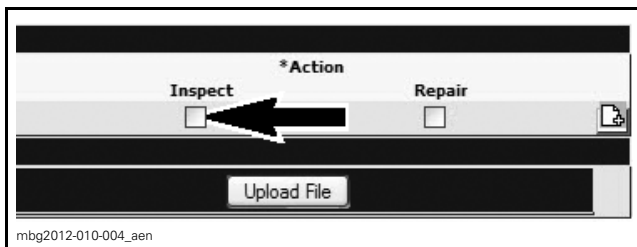
Submit a campaign claim using the following information.

For claiming procedure, refer to the *DEALER/DISTRIBUTOR WARRANTY GUIDE*.

### For Inspection Only

Campaign Number	2014-0003
Claim Type	Campaign Claim
Action	Inspect
Flat Rate Time (all models)	0.3 hour
Expiry date	2016-12-31

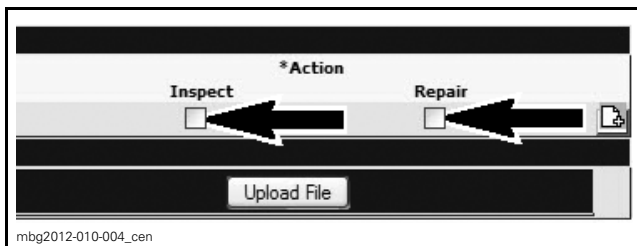
Click in the *INSPECT BOX* while completing your claim on BOSSWeb.



### For Inspection and Repair

Campaign Number	2014-0003
Claim Type	Campaign Claim
Action	Inspect and Repair
Flat Rate Time (RS and ST models)	1.0 hour
Flat Rate Time (RT models)	1.3 hour
Expiry date	2016-12-31

Click in the *INSPECT AND REPAIR BOXES* while completing your claim on BOSSWeb.



## Parts Return

Dealers and distributors are required to return ignition keys and removed parts to support their claims.

### Shipping Addresses

USA DEALERS	BRP c/o Warranty Department 7575 Bombardier Court Wausau, WI 54401
CANADIAN DEALERS	BRP Warranty Parts Inspection Center 565 de la Montagne Valcourt, QC, J0E 2L0
OTHERS COUNTRIES	Contact your local distributor or BRP Regional Office.

### Warranty Shipping Address Decals

Warranty shipping address decals can be ordered if needed.

COUNTRY	PART NUMBER
U.S.A.	490 901 601
Canada	484 500 001



---

# SERIAL NUMBERS LISTING OF INVOLVED VEHICLES

**Model: A1EB**

000006  
From 000009 to 000014  
From 000024 to 000043  
From 000069 to 000079  
000081  
From 000102 to 000108  
From 000125 to 000128  
From 000157 to 000164  
From 000193 to 000202  
From 000245 to 000248  
From 000251 to 000253  
000297  
000301  
000303  
From 000357 to 000358  
000360

**Model: A1EC**

From 000082 to 000084  
000109  
From 000131 to 000132  
From 000165 to 000167  
000203

**Model: A1ED**

From 000003 to 000005  
000015  
From 000044 to 000048  
000085  
From 000112 to 000113  
From 000133 to 000136  
From 000168 to 000170  
000417

**Model: A1EE**

000258  
From 000313 to 000314  
From 000372 to 000373  
000420

**Model: A1EG**

000007  
From 000016 to 000021  
From 000049 to 000068  
From 000086 to 000096  
From 000114 to 000119  
From 000137 to 000144  
From 000171 to 000177  
From 000204 to 000208  
000259  
From 000262 to 000263  
From 000315 to 000316

**Model: A1EH**

From 000097 to 000099  
000122

**Model: A1EH (cont'd)**

From 000145 to 000147  
000179

**Model: A2EB**

From 000560 to 000574  
From 000661 to 000668  
From 000768 to 000777  
000878

**Model: A2EC**

From 000575 to 000577  
From 000669 to 000670  
From 000778 to 000779  
000884

**Model: A2ED**

From 000163 to 000164  
From 000176 to 000177  
From 000215 to 000216  
From 000282 to 000283  
From 000394 to 000403  
From 000578 to 000583  
From 000671 to 000676

**Model: A2EF**

000030  
From 000404 to 000407  
From 000584 to 000598  
From 000678 to 000685  
000688  
From 000782 to 000785  
000787  
From 000887 to 000889  
From 000891 to 000892  
From 000895 to 000898  
000900  
000999

**Model: A2EG**

From 000599 to 000601  
000689  
000798  
From 000905 to 000906

**Model: A2EH**

From 000002 to 000004  
000031  
From 000062 to 000063  
000099  
From 000110 to 000111  
From 000120 to 000124  
From 000135 to 000137  
000146  
From 000284 to 000285  
000289  
000291

**Model: A3EB**

000010  
From 000049 to 000051  
From 000070 to 000081  
From 000127 to 000136  
From 000173 to 000180  
From 000224 to 000227  
From 000229 to 000231  
000270

**Model: A3ED**

000016  
From 000030 to 000031  
From 000052 to 000053  
000137

**Model: A3EE**

000017  
From 000019 to 000029  
000032

**Model: A3EF**

From 000033 to 000035  
From 000037 to 000047  
From 000054 to 000068  
From 000082 to 000085  
000088

**Model: A3EG**

From 000089 to 000095  
From 000140 to 000147  
From 000188 to 000191  
From 000244 to 000245  
From 000284 to 000285

**Model: A4EB**

From 000036 to 000038  
From 000073 to 000074  
From 000086 to 000089  
From 000110 to 000118  
From 000202 to 000210  
From 000313 to 000335  
From 000516 to 000542  
From 000735 to 000768  
001023  
From 001057 to 001076  
From 001524 to 001537  
From 002119 to 002133  
From 002515 to 002533  
From 002867 to 002874  
From 002876 to 002882  
From 003214 to 003228  
003230  
003576  
003601  
003603

---

**Model: A4ED**

000008  
From 000039 to 000042  
000085  
From 000090 to 000091  
From 000119 to 000126  
From 000211 to 000221  
From 000336 to 000355  
From 000503 to 000507  
From 000543 to 000571  
From 000769 to 000807  
From 001077 to 001102  
From 001538 to 001561  
From 002134 to 002160  
From 002534 to 002551  
From 002885 to 002898  
From 002900 to 002907  
From 002909 to 002912  
From 003232 to 003245  
003249  
From 003252 to 003258  
From 003260 to 003261  
003263  
003265  
From 003611 to 003612  
From 003614 to 003615  
004011

**Model: A4EF**

From 000572 to 000575  
From 000808 to 000810  
From 001025 to 001029  
From 001103 to 001108  
From 001110 to 001117  
From 001119 to 001121  
From 001562 to 001577  
002161  
From 002552 to 002554  
From 002556 to 002559  
002567

**Model: A4EG**

From 000811 to 000821  
From 001578 to 001579

**Model: A4EH**

001030  
From 001122 to 001136  
From 001580 to 001609  
From 002162 to 002176  
From 002568 to 002584  
From 002920 to 002934  
From 003280 to 003281  
003283  
003660

**Model: A4EK**

From 000009 to 000010

**Model: A4EK (cont'd)**

From 000127 to 000134  
000144  
From 000356 to 000364  
From 000508 to 000515  
From 000576 to 000598  
From 000822 to 000841  
From 001137 to 001164  
From 001610 to 001690  
From 002177 to 002183  
003304  
003666  
003686  
From 003689 to 003690  
003695  
004082  
004086

**Model: B1EB**

000813

**Model: B1EG**

000937

**Model: B1EJ**

000949  
From 001044 to 001045

**Model: B2EB**

004118

**Model: B2ED**

002975

**Model: B2EE**

003331  
003333  
003340  
003732  
003735  
004141

**Model: B5EB**

000248  
000329

**Model: B5ED**

000297

**Model: B6ED**

000437

**Model: B8EB**

000965

**Model: B8ED**

From 000833 to 000836

**Model: B8EE**

From 000603 to 000612

**Model: B8EE (cont'd)**

From 000693 to 000702  
From 000838 to 000840  
From 000842 to 000848  
From 000984 to 000986  
001122

**Model: B8EF**

000703

**Model: B9EB**

From 000046 to 000049  
From 000080 to 000081  
From 000094 to 000096  
From 000145 to 000148  
000240  
From 000242 to 000252  
From 000400 to 000402  
From 001256 to 001264  
From 001747 to 001808  
From 002249 to 002299  
002301  
From 002637 to 002645  
From 002989 to 003013  
From 003016 to 003020  
From 003341 to 003348  
003355  
003763  
003775

**Model: B9EC**

From 000884 to 000886  
From 001265 to 001321  
From 001809 to 001860  
From 002302 to 002343  
From 002646 to 002708  
From 003021 to 003052  
From 003054 to 003068  
From 003070 to 003076  
From 003078 to 003081  
From 003373 to 003384  
From 003387 to 003389  
003399  
003417  
003781  
003814  
003821  
003824

**Model: B9ED**

From 000615 to 000617  
From 000887 to 000891  
From 001322 to 001335  
From 001861 to 001872  
From 002344 to 002347  
From 002709 to 002720  
From 002729 to 002731

---

**Model: B9EE**

From 000011 to 000014  
000035  
From 000050 to 000053  
From 000075 to 000077  
From 000097 to 000099  
From 000149 to 000159  
From 000253 to 000263  
From 000403 to 000419  
From 000619 to 000653  
From 000892 to 000909  
From 001336 to 001351  
From 001873 to 001875  
From 001877 to 001911  
From 002348 to 002386  
From 002733 to 002741  
From 003082 to 003092  
From 003094 to 003110  
From 003112 to 003113  
003213  
From 003444 to 003459  
003461  
From 003463 to 003466  
003478  
---  
003833  
---  
003865  
003866

**Model: B9EG**

From 000654 to 000663  
From 000910 to 000911  
From 001040 to 001056  
From 001352 to 001390  
From 001912 to 001941  
From 002387 to 002388  
From 002742 to 002743  
From 002745 to 002748

**Model: B9EH**

From 000912 to 000933  
From 001942 to 001945  
From 002389 to 002393

**Model: B9EK**

From 000031 to 000032  
From 000054 to 000057  
000100  
From 000160 to 000169  
000241  
From 000264 to 000269  
From 000309 to 000312  
From 000420 to 000446  
From 000664 to 000668  
From 000934 to 000944  
From 001391 to 001403  
From 001946 to 001953

**Model: B9EK (cont'd)**

002118  
From 002394 to 002401  
From 002775 to 002777  
From 003121 to 003122

**Model: B9EL**

From 000015 to 000019  
From 000058 to 000061  
000082  
From 000101 to 000103  
From 000170 to 000182  
From 000200 to 000201  
From 000270 to 000278  
From 000447 to 000456  
From 000458 to 000472  
From 000669 to 000704  
From 000945 to 000956  
From 001404 to 001420  
From 001422 to 001431  
From 001954 to 001983  
From 002402 to 002421  
From 002778 to 002798  
From 003124 to 003134  
From 003136 to 003141  
From 003487 to 003490  
003493  
From 003501 to 003503  
003887  
003892

**Model: B9EN**

From 000705 to 000707  
000957  
From 001432 to 001433  
From 001984 to 001989  
From 002422 to 002427  
From 002799 to 002800  
003506

**Model: B9ER**

From 000062 to 000065  
000084  
From 000104 to 000106  
From 000183 to 000186  
From 000279 to 000289  
From 000473 to 000475  
From 000708 to 000712  
From 000958 to 000989  
From 001434 to 001466  
From 001990 to 002077  
From 002428 to 002475  
From 002802 to 002828  
From 003146 to 003164  
From 003166 to 003183  
003185  
From 003508 to 003523  
From 003941 to 003942

**Model: B9ER (cont'd)**

003945  
003947  
From 004353 to 004354

**Model: B9ET**

000033  
From 000713 to 000716  
From 000990 to 000997  
From 001467 to 001478  
From 002078 to 002084  
From 002476 to 002478  
From 002829 to 002845

**Model: B9EU**

000034  
From 000066 to 000068  
From 000107 to 000108  
From 000187 to 000195  
000239  
From 000290 to 000300  
From 000476 to 000497  
From 000717 to 000726  
From 000998 to 001008  
From 001479 to 001492  
From 002085 to 002090  
From 002479 to 002488  
From 002846 to 002848

**Model: B9EV**

From 000022 to 000027  
From 000069 to 000072  
From 000078 to 000079  
000109  
From 000196 to 000199  
From 000301 to 000308  
From 000498 to 000501  
From 000727 to 000733  
From 001009 to 001022  
001024  
From 001493 to 001523  
From 002091 to 002117  
From 002489 to 002514  
From 002849 to 002866  
From 003193 to 003203  
From 003205 to 003210  
From 003557 to 003564  
003567

**Model: C1EB**

From 000037 to 000038  
From 000064 to 000068  
From 000102 to 000103  
000105

**Model: C1EC**

000107

---

**Model: C1ED**

From 000022 to 000025  
From 000040 to 000043

**Model: C1EF**

From 000010 to 000014  
From 000016 to 000020  
000026  
000028  
From 000044 to 000045  
000069

**Model: C1EG**

From 000079 to 000081

**Model: C1EJ**

From 000046 to 000049  
From 000082 to 000086  
000122  
000125  
000145  
000180

**Model: C1EK**

000005  
000148

**Model: C2EB**

000003  
From 000221 to 000222  
From 000272 to 000282  
From 000333 to 000335  
From 000447 to 000448  
From 000613 to 000618  
From 000704 to 000715  
From 000851 to 000856  
From 000992 to 000995  
001128  
001132

**Model: C2EC**

From 000541 to 000545  
000619  
000857

**Model: C2ED**

From 000013 to 000022  
From 000045 to 000068  
From 000107 to 000129  
From 000167 to 000188  
From 000223 to 000232  
From 000266 to 000269  
000271  
From 000408 to 000410  
000449  
From 000483 to 000484  
000546  
From 000620 to 000626

**Model: C2ED (cont'd)**

From 000716 to 000719  
000858  
000860  
000864  
001001

**Model: C2EE**

From 000023 to 000024  
From 000069 to 000070  
000130  
000720  
From 000722 to 000723  
From 000865 to 000866

**Model: C2EF**

000233  
From 000283 to 000289  
000336  
From 000411 to 000412  
000547  
From 000627 to 000630  
From 000724 to 000725  
001007  
001011

**Model: C2EG**

From 000548 to 000549  
000631  
000869

**Model: C2EH**

000007  
From 000488 to 000489  
000550

**Model: C2EJ**

From 000027 to 000034  
From 000071 to 000092  
From 000133 to 000149  
From 000163 to 000165  
From 000194 to 000212  
000218  
From 000237 to 000255  
From 000291 to 000296  
From 000337 to 000339  
From 000381 to 000383  
From 000413 to 000415  
From 000490 to 000491  
From 000551 to 000560  
From 000633 to 000644  
From 000880 to 000887  
000890  
000901  
001045

**Model: C2EK**

From 000093 to 000095

**Model: C2EK (cont'd)**

From 000150 to 000152  
000903

**Model: C2EL**

From 000340 to 000345  
From 000361 to 000362  
From 000384 to 000390  
000734

**Model: C2EN**

From 000451 to 000452  
From 000492 to 000501  
000647  
000757

**Model: D4EA**

From 000256 to 000257  
From 000297 to 000304  
From 000346 to 000351  
From 000391 to 000394  
From 000417 to 000422  
From 000453 to 000454  
From 000648 to 000652  
From 000762 to 000775  
From 000905 to 000914  
001054  
001057  
001059  
001061  
001179

**Model: D4EB**

000258  
000305  
From 000352 to 000353  
From 000423 to 000425  
From 000653 to 000655  
000916

**Model: D4EC**

000008  
000035  
000354  
From 000395 to 000396  
From 000427 to 000429  
000455

**Model: D4ED**

From 000780 to 000783  
000923

**Model: D4EE**

000004  
000259  
From 000306 to 000313  
From 000355 to 000360  
From 000399 to 000402  
From 000430 to 000432

---

**Model: D4EE (cont'd)**

From 000456 to 000462  
From 000502 to 000516  
From 000561 to 000576  
From 000656 to 000665  
From 000784 to 000797  
From 000924 to 000932  
From 001073 to 001074  
From 001084 to 001085  
From 001088 to 001090  
001211  
999999

**Model: D4EF**

From 000314 to 000315  
From 000363 to 000364  
From 000433 to 000434  
From 000463 to 000464  
From 000666 to 000667  
000798  
000934

**Model: D4EG**

000009  
000012  
From 000041 to 000042  
From 000099 to 000102  
From 000154 to 000156  
From 000213 to 000214  
From 000260 to 000262  
From 000317 to 000320  
From 000367 to 000369  
From 000403 to 000405  
000436  
000521  
000577

**Model: D4EJ**

000263  
From 000322 to 000329  
From 000370 to 000375  
From 000406 to 000407  
From 000438 to 000443  
From 000469 to 000475  
From 000522 to 000533  
From 000578 to 000595  
From 000668 to 000679  
From 000807 to 000810  
From 000812 to 000823  
From 000949 to 000957  
From 000959 to 000961  
000963  
From 001093 to 001096  
001245  
001517

**Model: D4EK**

From 000330 to 000331

**Model: D4EK (cont'd)**

From 000376 to 000377  
000444  
From 000476 to 000478  
000534  
From 000680 to 000681

**Model: D4EL**

000010  
000036  
From 000043 to 000044  
From 000103 to 000106  
From 000157 to 000159  
From 000215 to 000217  
From 000264 to 000265

# List Of Affected Key Tags

1656	1750	1800	1900	2009	2163	2200
1657	1751	1801	1901	2010	2164	2202
1658	1752	1802	1902	2011	2165	2203
1659	1754	1803	1903	2013	2166	2204
1661	1755	1805	1905	2014	2167	2205
1662	1756	1806	1906	2015	2169	2206
1663	1758	1807	1907	2017	2170	2208
1665	1759	1890	1908	2018	2171	2209
1666	1760	1891	1909	2019	2173	2211
1667	1761	1892	1910	2020	2174	2212
1668	1762	1893	1912	2021	2175	2213
1669	1764	1894	1913	2023	2176	2214
1670	1765	1896	1914	2024	2177	2215
1671	1766	1897	1915	2025	2178	2217
1673	1768	1899	1917	2027	2180	2218
1674	1769		1918	2028	2181	2220
1676	1770		1920	2029	2182	2221
1677	1771		1921	2030	2183	2222
	1772		1922	2031	2184	2223
	1773		1923	2032	2185	2224
	1774		1924	2033	2186	2226
	1775		1926	2034	2187	2227
	1777		1927	2036	2189	2229
	1778		1929	2037	2190	2230
	1780		1930	2039	2192	2231
	1781		1931	2040	2193	2232
	1782		1932	2041	2194	2233
	1783		1933	2042	2195	2235
	1784		1934	2043	2196	2236
	1785		1936	2044	2198	2237
	1787			2046	2199	2239
	1788			2047		2240
	1789			2048		2241
	1791			2050		2242
	1792			2051		2243
	1793			2052		2244
	1794			2053		2245
	1795			2054		2246
	1797			2056		2248
	1798			2057		2249
				2059		2251
				2060		2252
				2061		
				2062		
				2064		
				2065		
				2066		