

K455NAS3

**TECHNICAL BULLETIN**

28 JUL 2017



© Jaguar Land Rover North America, LLC

NOTE: The information in Technical Bulletins is intended for use by trained, professional Technicians with the knowledge, tools, and equipment required to do the job properly and safely. It informs these Technicians of conditions that may occur on some vehicles, or provides information that could assist in proper vehicle service. The procedures should not be performed by 'do-it-yourselfers'. If you are not a Retailer, do not assume that a condition described affects your vehicle. Contact an authorized Jaguar service facility to determine whether this bulletin applies to a specific vehicle.

**INFORMATION**

---

Changes are highlighted in blue

---

**SECTION:**

415-01: Information and Entertainment System

---

**SUBJECT/CONCERN:**

Service Action: USB 2.0 Cable Incorrect Specification

---

**AFFECTED VEHICLE RANGE:**

<b>MODEL:</b>	<b>MODEL YEAR:</b>	<b>VIN:</b>	<b>ASSEMBLY PLANT:</b>	<b>APPLICABILITY:</b>
F-PACE (X761)	2017	046166-075904	Solihull	Vehicles With: InControl Touch Pro
XE (X760)	2017	921222-962738	Solihull	Vehicles With: InControl Touch Pro
XF (X260)	2016-2017	Y00124-Y39363	Castle Bromwich	Vehicles With: InControl Touch Pro

---

**MARKETS:**

NORTH AMERICA

---

**CONDITION SUMMARY:**

**SITUATION:**

An issue has been identified on certain vehicles within the listed Affected Vehicle Range which may have a cable assembly for the USB network between the USB hub and the digital disc player that does not match the specification required for robust USB 2.0 communication.

**ACTION:**

Retailers are required to **HOLD** affected new vehicles that are within your control and refrain from releasing the vehicles for **new vehicle sale** pending completion of the Workshop Procedure detailed in this Technical Bulletin. Unsold vehicles should have this performed as part of the Pre-Delivery Inspection (PDI) process but **must** have it completed prior to vehicle handover to the customer.

Affected vehicles already in the hands of customers should be updated at the next available opportunity.

---

**PARTS:****NOTE:**

Order only the expected percentage demand of parts identified.

DESCRIPTION	PART NO./SUNDRY CODE*	QTY./VALUE*	EXPECTED % OF VEHICLES REQUIRING PARTS
USB Link Lead	T2H32167	1	100
* Felt anti-rattle wiring harness tape	ZZZ001	\$3.75	100

\* - an allowance (\$3.75 USD [or local equivalency]) has been provided to cover the cost of the felt anti-rattle wiring harness tape. Claim using Sundry Code 'ZZZ001'.

---

**SPECIAL TOOLS:**

Refer to Workshop Manual/Workshop Procedure for any required special tools.

---

**WARRANTY:****NOTE:**

Check DDW to ensure that a vehicle is affected by this program prior to undertaking any rework action.

At the time of confirming a booking for vehicle repair, ensure that **all** outstanding Recall and Service Actions are identified to ensure the correct parts are available and adequate workshop time is allocated for repairs to be completed at one visit.

Warranty claims must be submitted quoting the Program Code together with the relevant Option Code. The SRO and parts information is included for information

only. The Option Code(s) that allows for the drive in / drive out allowance can only be claimed if the vehicle is brought back into the workshop for this action alone to be undertaken.

Repair procedures are under constant review and therefore times / prices are subject to change; those quoted here must be taken as guidance only. Refer to TOPIx to obtain the latest repair time.

This program is valid for a limited time only. Warranty claims with a repair date prior to the **31 March 2019** closure date must be submitted or payment within 30 calendar days of completion of the repair.

PROGRAM CODE	OPTION CODE	DESCRIPTION	SRO	TIME (HOURS)	PARTS/SUNDRY CODE*	QTY./VALUE*
K455	B	Install new USB 2.0 link lead between digital disc player and USB hub	86.51.38	0.40	T2H32167 ZZZ001	1 \$3.75
K455	C	Install new USB 2.0 link lead between digital disc player and USB hub  Drive in/drive out	86.51.38 10.10.10	0.40 0.20	T2H32167 ZZZ001 -	1 \$3.75 -
K455	D	Install new USB 2.0 link lead between digital disc player and USB hub  Disengage and reengage transit mode	86.51.38 86.93.93	0.40 0.10	T2H32167 ZZZ001 -	1 \$3.75 -
K455	E	Install new USB 2.0 link lead between digital disc player and USB hub  Disengage and	86.51.38 86.93.93 10.10.10	0.40 0.10 0.20	T2H32167 ZZZ001 - -	1 \$3.75 - -

PROGRAM CODE	OPTION CODE	DESCRIPTION	SRO	TIME (HOURS)	PARTS/SUNDRY CODE*	QTY./VALUE*
		reengage transit mode Drive in/drive out				

\* - an allowance (\$3.75 USD [or local equivalency]) has been provided to cover the cost of the felt anti-rattle wiring harness tape. Claim using Sundry Code 'ZZZ001'.

Normal Warranty policies and procedures apply.

**WORKSHOP PROCEDURE:**

---

- 
- 1 Disconnect the battery negative cable (see TOPIx Workshop Manual section 414-01: Battery, Mounting and Cables - General Procedures).
- 

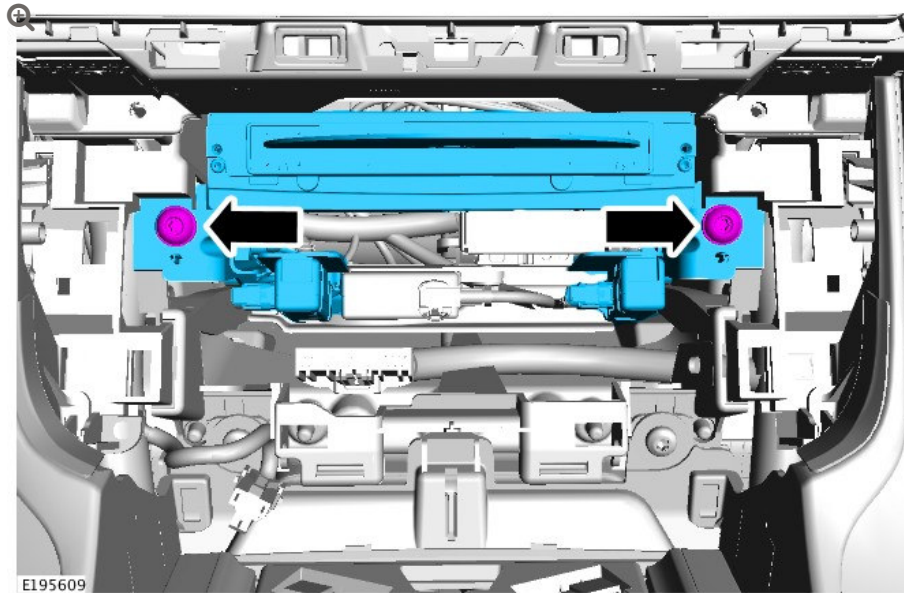
2 **NOTE:**

Integrated Control Panel (ICP) may also be referred to as Audio and Climate Control Assembly.

Remove the Integrated Control Panel (ICP) (see TOPIx Workshop Manual section 415-01: Information and Entertainment System - Audio and Climate Control Assembly).

---

3

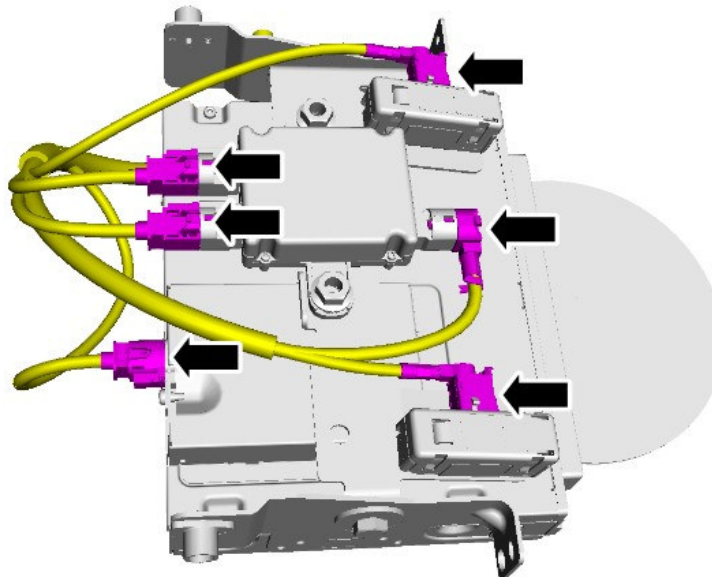


Remove the digital disc player and withdraw the unit to view the wiring harness connections.

4

**CAUTION:**

Note the relative positions of the USB 2.0 hub connections before removal.



Disconnect the electrical connectors from the digital disc player, USB 2.0 hub, and Wi-Fi/Bluetooth™ antennas.

---

5

**CAUTION:**

Make sure no damage is caused to the wiring harness when removing the spot tape.

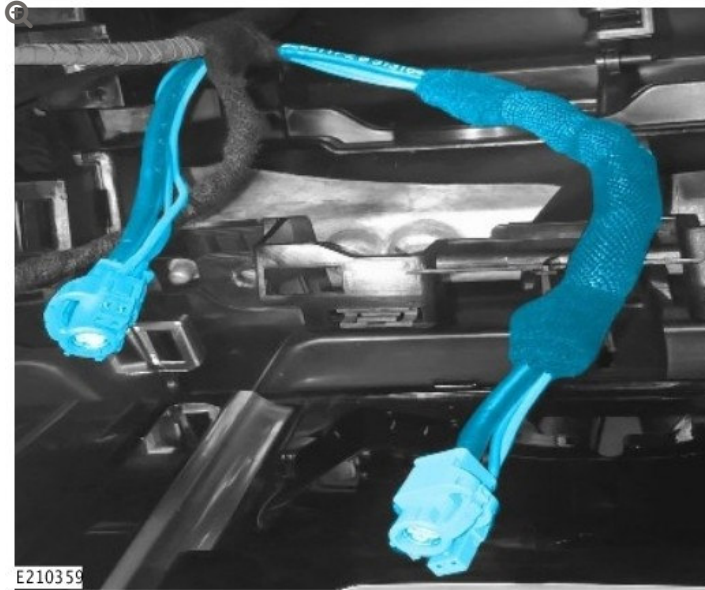


E195610

Remove and discard the spot tape attaching the link lead to the Instrument Panel (IP) harness.

---

6



Remove and retain the original link lead.

7

**NOTE:**

Discard the 2 locking tabs.



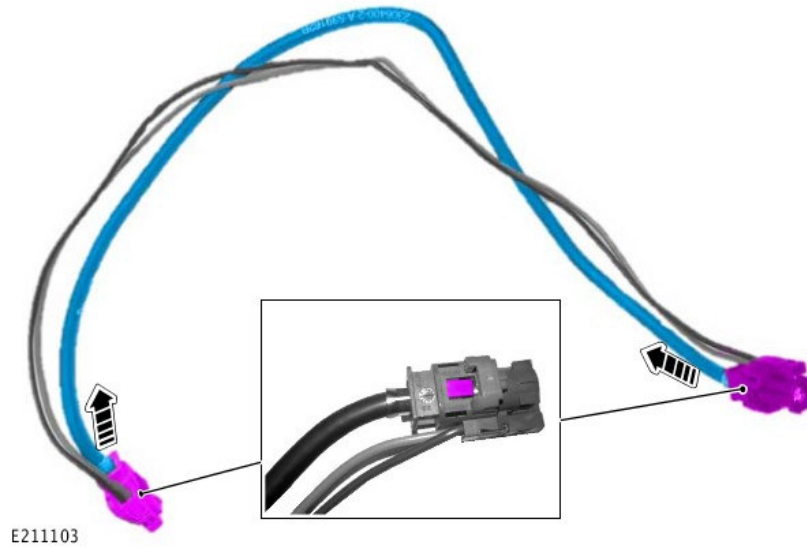
Using a suitable tool, remove and discard the locking tab from the electrical connector at each end of the original USB link lead.



8

**NOTE:**

Only release the electrical connectors from the main black coaxial cable.



Release the electrical connectors from both ends of the original USB link lead.

- Discard the original black coaxial USB link lead.

9

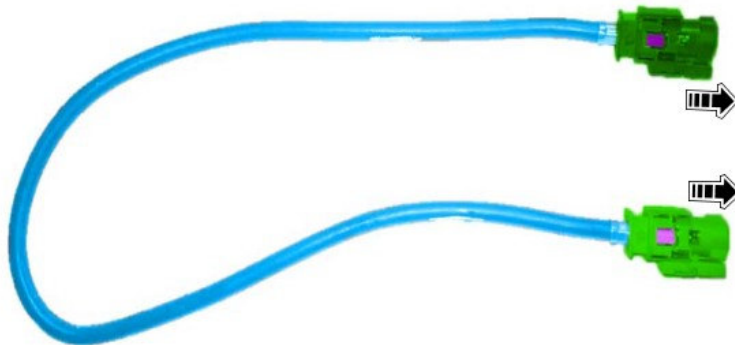
**NOTE:**

Retain the 2 locking tabs for later use.



Use a suitable tool to remove the locking tab from the electrical connector at each end of the new USB link lead.

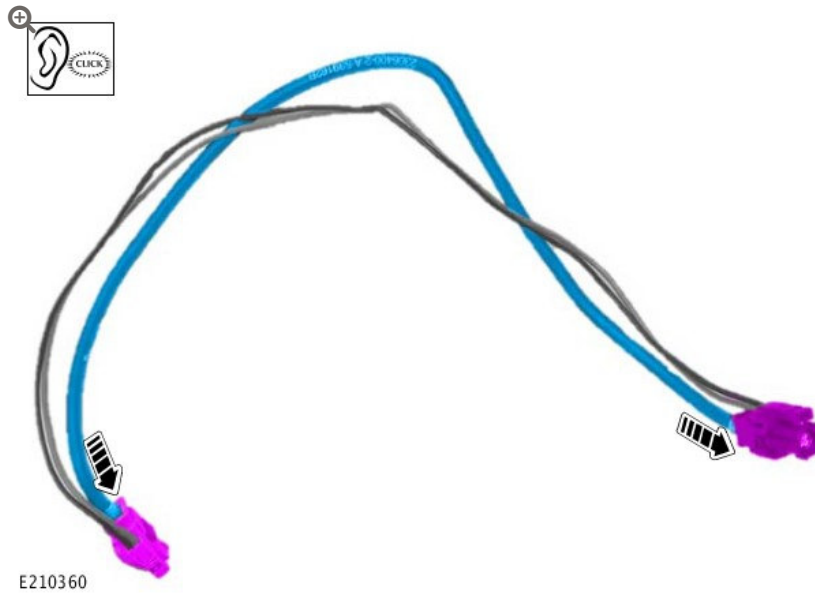
10



Release the electrical connectors from both ends of the new USB link lead.

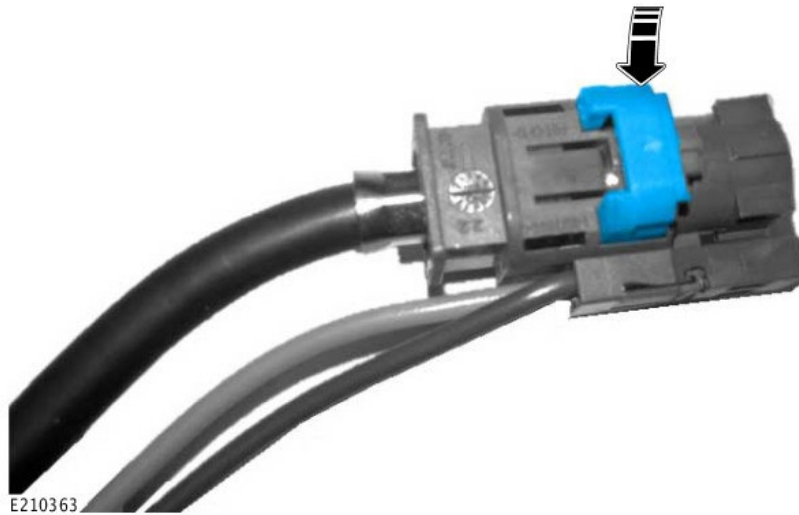
- Discard the electrical connectors.

11



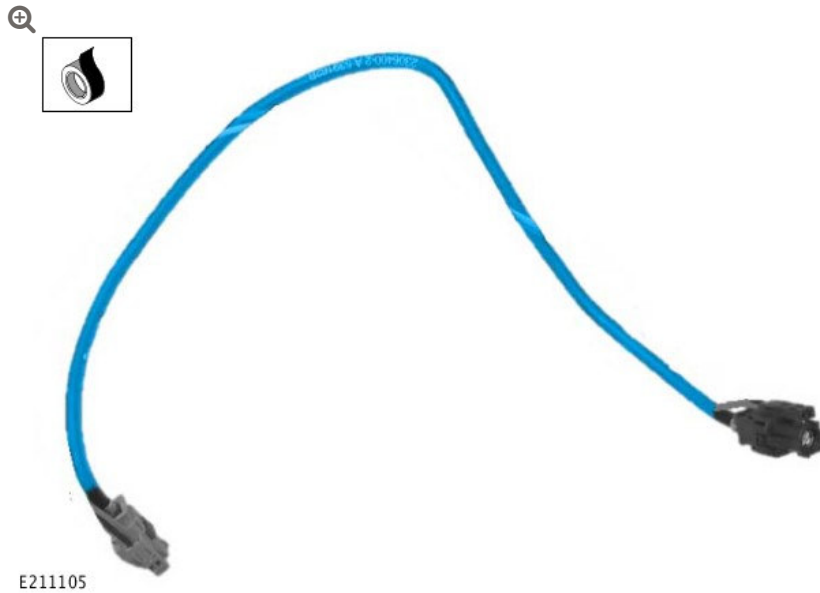
Install the replacement black coaxial USB link lead into the original electrical connectors.

12

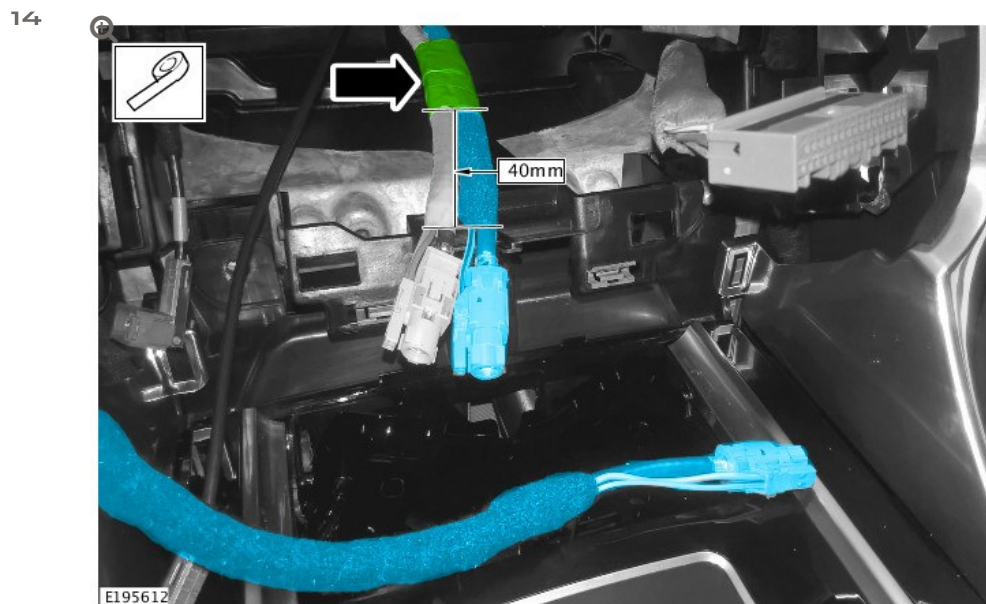


Install the locking tabs into the electrical connector at each end of the new link lead.

13



Apply felt anti-rattle tape around the length of the replacement USB link lead.

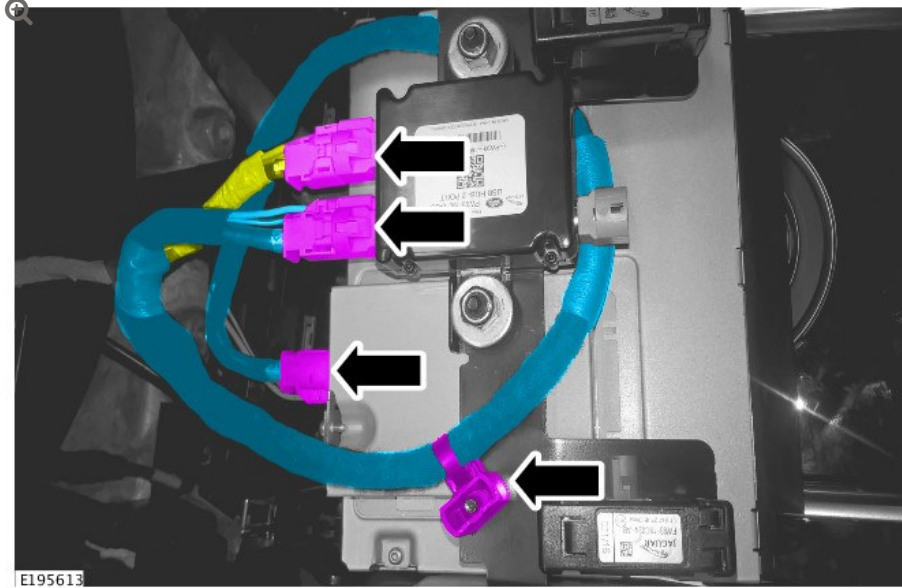


Tape the modified link lead yellow connector alongside the pink connector on the Instrument Panel (IP) harness.

- Apply tape 40mm rearward of the back of the connector plug.
-

Make sure that both connector plugs are taped in the correct orientation to allow connection to the USB 2.0 hub when installed.

15



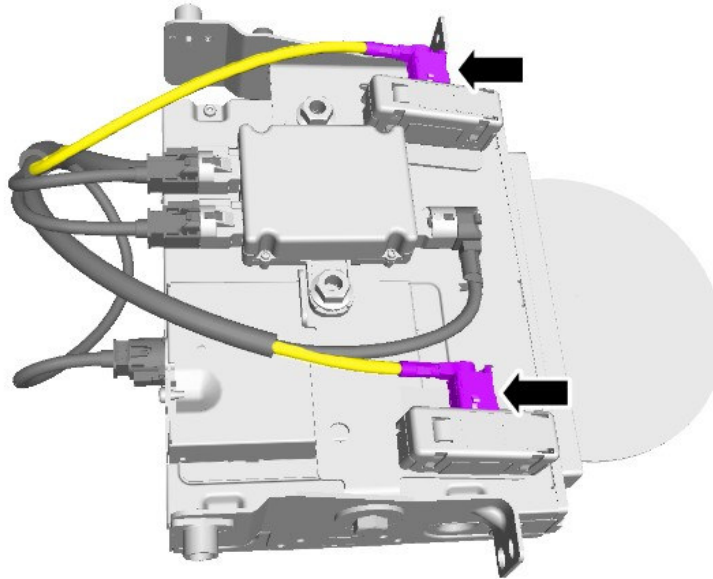
Connect the pink and yellow link lead harness connectors (taped together in Step 13) into the USB 2.0 hub.

- Route the new link lead as shown and fit the stud clip to the stud on the bracket.
- Loop the remaining pink connector between the USB 2.0 hub and the digital disc player and connect as shown.

16

**NOTE:**

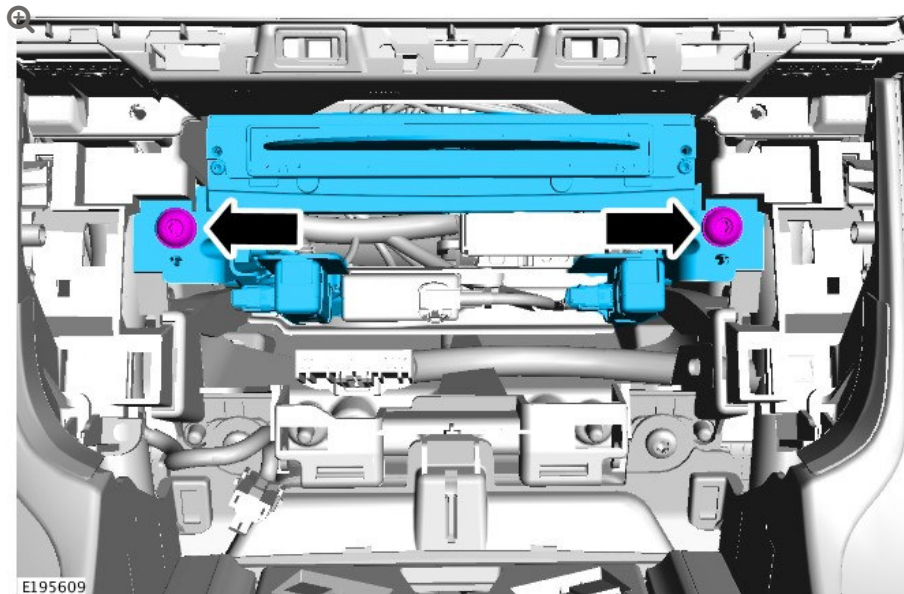
Make sure the leads are connected as removed in Step 4.



E195614

Connect the two remaining leads to the Wi-Fi/Bluetooth™ antennas.

17



E195609

Install the digital disc player.

- 
- 18 Install the Integrated Control Panel (ICP) (see TOPIX Workshop Manual section 415-01: Information and Entertainment System - Audio and Climate Control Assembly).
- 

19

Install the battery negative cable (see TOPIx Workshop Manual section 414-01: Battery, Mounting and Cables - General Procedures).

- 
- 20 Before releasing the vehicle, check DDW and confirm program K437 has been completed.
    - To be performed as a separate claim.