

Technical Service Bulletin



19 Low coolant warning on; stone damage to intercooler radiator

19 13 45 2034439/2 September 3, 2013. Supersedes Technical Service Bulletin Group 19 number 13-43 dated July 12, 2013 for reasons listed below.

Model(s)	Year	VIN Range	Vehicle-Specific Equipment
S4, S5, S5 Cab	2010-2013	All	3.0 FSI Engine
A6, A7	2012-2013	All	3.0, 4.0 FSI Engine

Condition

REVISION HISTORY		
Revision	Date	Purpose
2	-	Revised <i>Required Parts and Tools</i> (Added information)
1	7/12/2013	Initial publication

- The coolant warning light is illuminated.
- Coolant is leaking from the front intercooler radiator because of stone damage to the radiator.

Technical Background

When vehicles are driven on gravel roads, there is a greater chance of front-end stone impact damage to the intercooler radiator (Figure 1).



Figure 1. Damage from front-end stone impact.

Production Solution

Beginning with CW15 2013, a protective grill has been added.

Service

1. Verify that the coolant is leaking from the front intercooler radiator, and that the cause is stone damage.
2. Replace intercooler radiator and install a radiator protective grill (Figure 2) to prevent leaking. Follow instructions in Elsa.

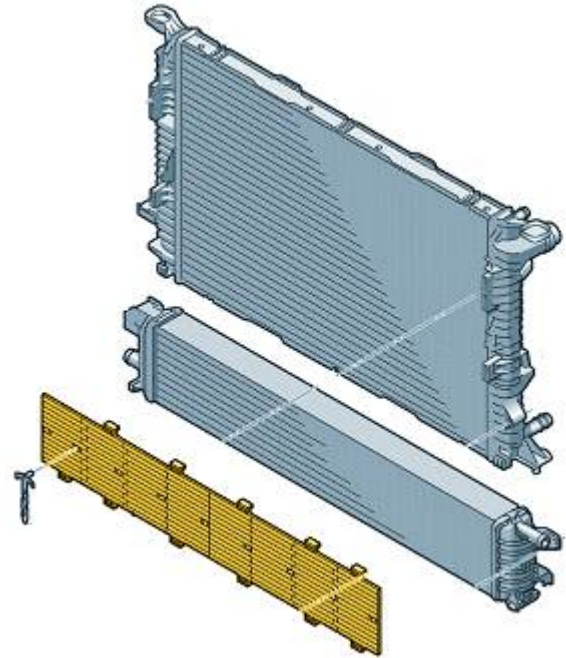


Figure 2. Radiator protective grill.

Technical Service Bulletin



Warranty

Claim Type:	Use 1SP claim type.		
Service Number:	1980		
Damage Code:	0010		
Labor Operations:	For S4, S5, S5 Cab:		
	Front bumper cover remove+reinstall	6627 1900	30 TU
	Additional radiator remove+reinstall	1980 1992	90 TU
	For A6/S6, A7/S7 (3.0T):		
	Additional radiator remove+reinstall	1980 1941	90 TU
	For A6/S6, A7/S7 (4.0T):		
	Additional radiator remove+reinstall	1980 1921	110 TU
Diagnostic Time:	GFF	No allowance	0 TU
	Road test prior to service procedure	No allowance	0 TU
	Road test after service procedure	0121 0004	10 TU
	Technical diagnosis at dealer's discretion (Refer to Section 2.2.1.2 and Audi Warranty Online for DADP allowance details)		
Claim Comment:	As per TSB # 2034439/2		

All warranty claims submitted for payment must be in accordance with the *Audi Warranty Policies and Procedures Manual*. Claims are subject to review or audit by Audi Warranty.

Required Parts and Tools

Part number	Part Description	Quantity
8K0145804E or 4G0145804 (Check ETKA for correct part number)	Radiator	1
8K0820746C	Protective grill	1
8K0867646	Clips	9
G 012A8G1G	Coolant (as needed)	1

Additional Information

All parts and service references provided in this TSB (2034439) are subject to change and/or removal. Always check with your Parts Department and service manuals for the latest information.