

Technical Service Bulletin



74 Rear center armrest lid does not latch

74 13 09 2018004/3 September 13, 2013. Supersedes Technical Service Bulletin Group 74 number 08-06 dated December 5, 2008 for reasons listed below.

Model(s)	Year	VIN Range	Vehicle-Specific Equipment
A8	2003	All	Not Applicable
A8	2004	000001-024456	Not Applicable

Condition

REVISION HISTORY		
Revision	Date	Purpose
3	-	Revised header data (Updated customer codes)
2	12/5/2008	Revised Title to include Repair Group

Rear center armrest lid does not latch.

Technical Background

Unfavorable tolerance between the release and the armrest.

Production Solution

Improved release button with additional stop.

Service

The entire armrest does not need to be replaced for an inoperative release button. The release button with additional stop can be replaced separately:

1. Use a screwdriver to carefully press the lugs (Figure 1, 2) out of the holes (Figure 1, 3).
2. Detach the spring (Figure 1, 4) from the mountings (Figure 1, 5).
3. Take off the release handle (Figure 1, 1).
4. Carefully feed the lugs (Figure 1, 2) of the replacement release button into the holes (Figure 1, 3).
5. Attach the spring (Figure 1, 4) in the mountings (Figure 1, 5).

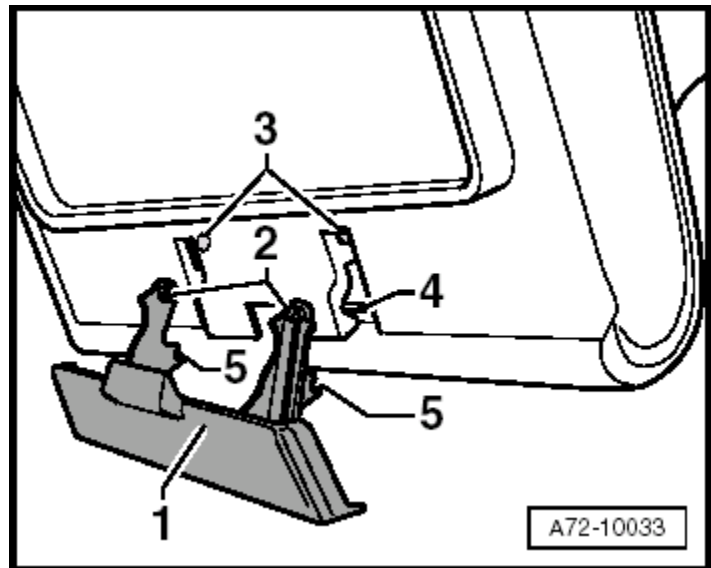


Figure 1. The release handle (1), lugs (2), holes (3), spring (4) and mountings (5).

Technical Service Bulletin



Warranty

Claim Type:	Use applicable claim type. If vehicle is outside any warranty, this Technical Service Bulletin is informational only.		
Service Number:	7455		
Damage Code:	0010		
Labor Operations:	Armrest with cover remove and reinstall	7455 1907	30 TU
Diagnostic Time:	GFF	No allowance	0 TU
	Road test prior to service procedure	No allowance	0 TU
	Road test after service procedure	No allowance	0 TU
	Technical diagnosis at dealer's discretion (Refer to Section 2.2.1.2 and Audi Warranty Online for DADP allowance details)		
Claim Comment:	As per TSB #2018004/3		

All warranty claims submitted for payment must be in accordance with the *Audi Warranty Policies and Procedures Manual*. Claims are subject to review or audit by Audi Warranty.

Required Parts and Tools

Part Number	Part Description	Quantity
4E0886243 + color code	Release button center armrest	1

Additional Information

All parts and service references provided in this TSB (2018004) are subject to change and/or removal. Always check with your Parts Department and service manuals for the latest information.