



Technical Bulletin

Model(s)	Year	Eng. Code	Trans. Code	VIN Range From	VIN Range To
Golf	2015	2.0L TDI (CRUA)	All	All	All
Passat, Beetle, Beetle Convertible, Jetta	2015	2.0L TDI (CVCA)	All	All	All

Condition

26 15 02 April 13, 2014 2038752

MIL ON, Exhaust Flap Faults P048B, P048E, P0475, P0478, P0477 stored in ECM Fault Memory

DTC	Description
P048B	Exhaust Pressure Control Valve Position Sensor/Switch Circuit
P048E	Exhaust Pressure Control Valve Pos. Sensor/Switch Circuit High
P0475	Exhaust Pressure Control Valve "A"
P0478	Exhaust Pressure Control Valve "A" High
P0477	Exhaust Pressure Control Valve "A" Low

Technical Bulletin

Technical Background

The new Generation III TDI engines have an exhaust flap that is welded into the exhaust pipe assembly. If faults for the flap electronics are stored, it is not necessary to replace the complete pipe. Replacement electronics components are available.

! **Note:**

As an Electrostatic Discharge (ESD) sensitive part, the actuator must be removed from the ESD bag and handled in an ESD safe area.

If the actuator has been dropped on the floor, it must be scrapped.

Contents of the package:

Actuator

2 screws

2 nuts

! **Note:**

All contents of the package must be used. Re-use of the existing fasteners is not allowed.

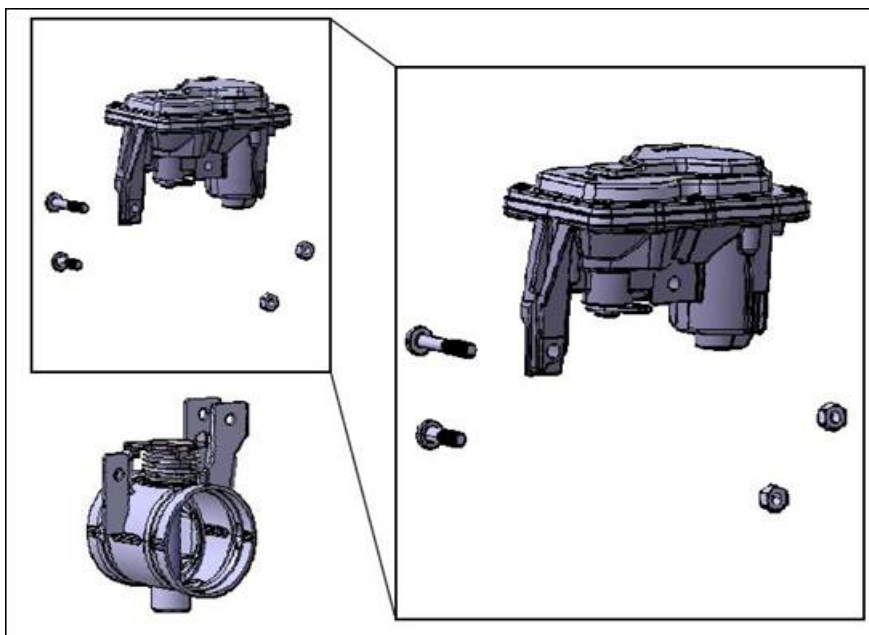


Figure 1

Technical Bulletin

Production Solution

Not Applicable.

Service

Disassembly:

! **Note:**

Carefully inspect the associated wiring harness and wiring harness end connector for damage prior to replacement.

- Disconnect the electrical connector.
- Unscrew the two nuts (inset 1, Figure 2) by using a number 10mm wrench (and if necessary a Torx plus IP30 wrench).
- Disassemble the actuator (Inset 3) from the rest of the exhaust flap by pulling along in the direction of the flap axis (Figure 2).

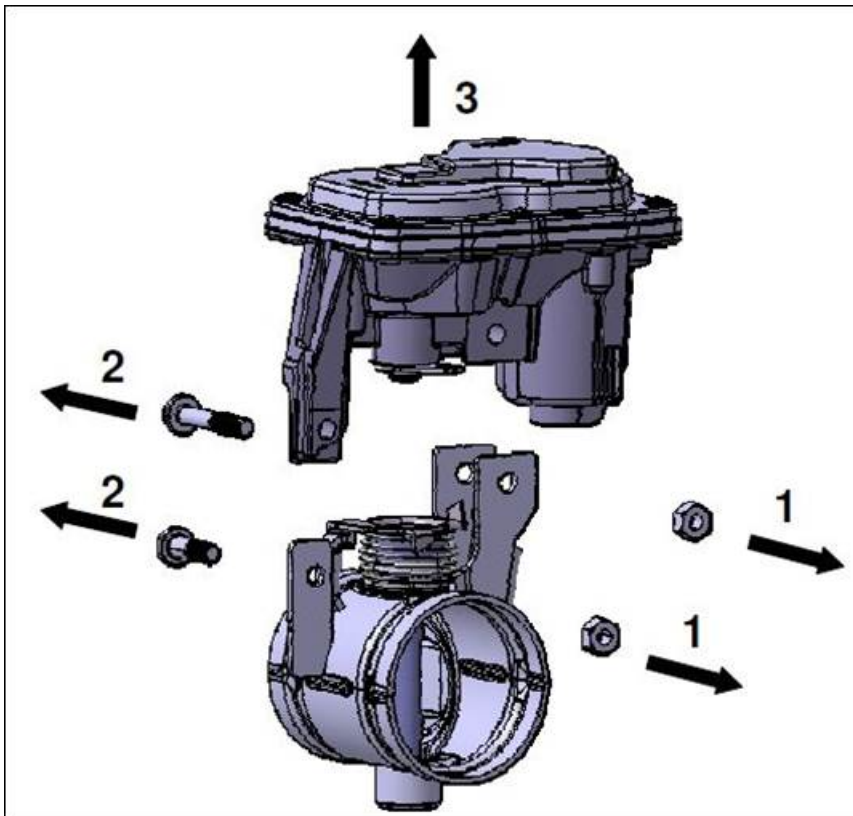


Figure 2

Technical Bulletin

! Note:

If it is difficult to remove the actuator, gently tap only at the following locations (see green points in Figure 3) to separate components.

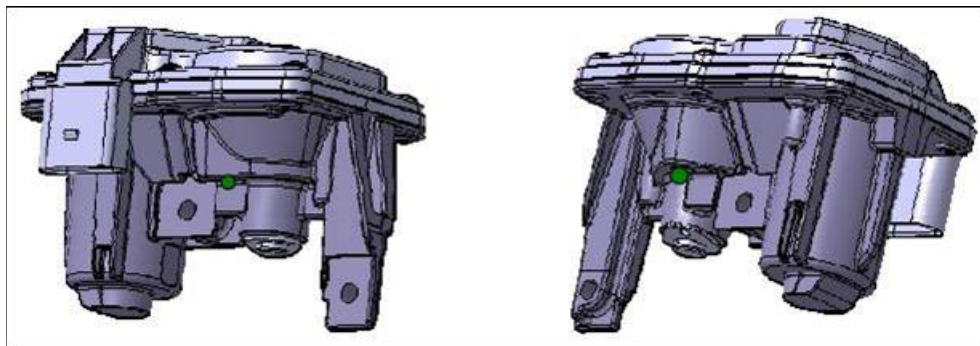


Figure 3

In addition to the actuator, save and return the four (4) old components to the Volkswagen Warranty Parts Return Center (WPRC) (see orange parts in Figure 4): nuts (2), screws (1 big + 1 small).

If any of these components is missing, the warranty claim will be rejected by the WPRC.



Figure 4

Technical Bulletin

Assembly:

Note:

Use **only new components** delivered with the spare part actuator.

Use the following sequence of operations:

- Mate the actuator with the exhaust flap housing.

Note:

Ensure the position of the spring brackets compared to the actuator (Figure 5).

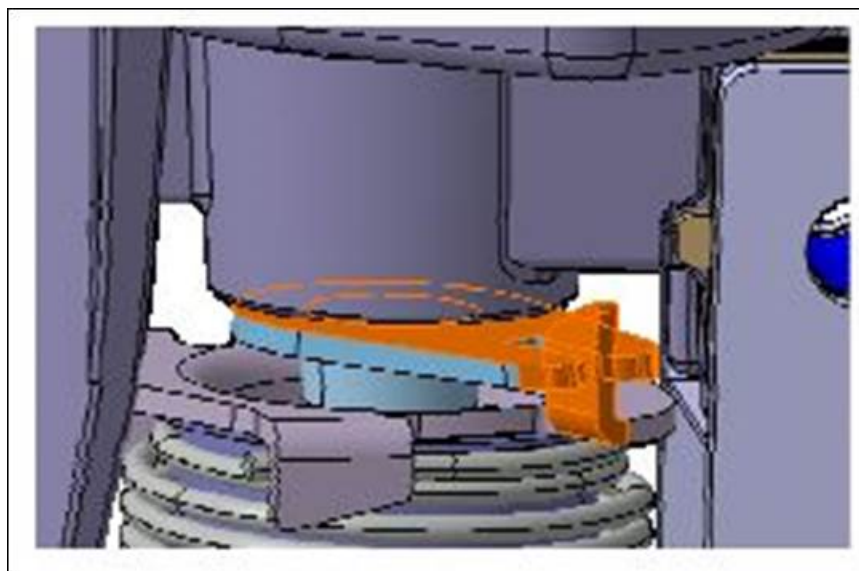


Figure 5

- First install the short screw (inset 1 in Figure 6), second, install the long screw (inset 2 in Figure 6).
- Assemble the two screws and two nuts with a torque of 11 Nm \pm 1 Nm by using a 10mm wrench and a Torx plus IP30 wrench (tightening screw, not nut).

Technical Bulletin

! Note:

Ensure the correct position of each screw (size of each screw and side of the nuts).

If a screw is used and has to be removed for any reason, it must be replaced due to thread damage.

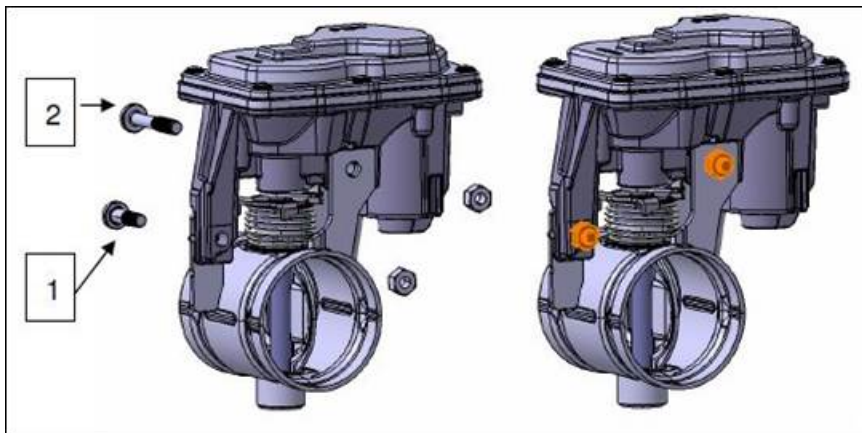


Figure 6

- Reconnect the electrical connector.
- Once the repair is complete basic settings must be learned using ODIS.
- In the Control Module Networking diagram screen choose “MOT_01” (Figure 7).

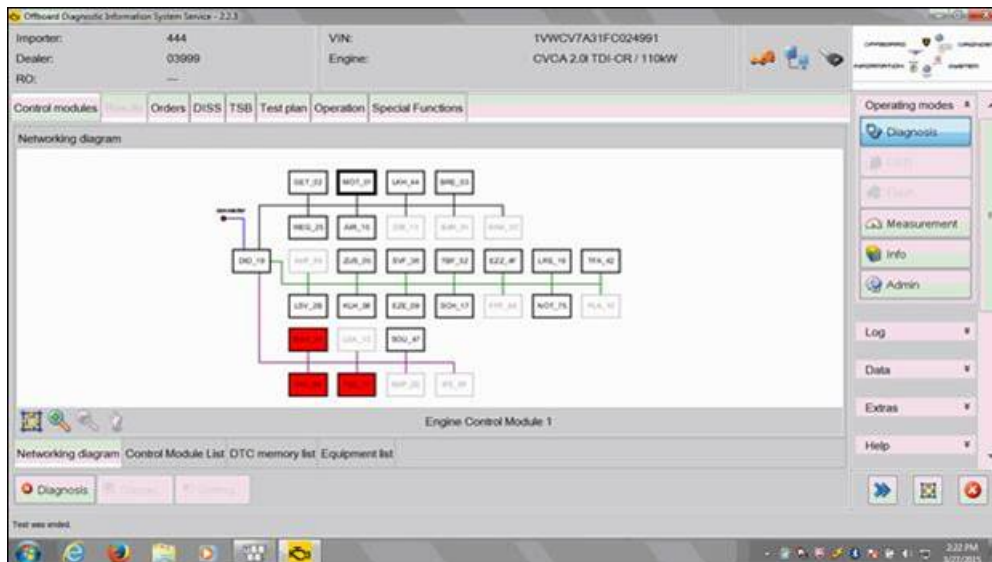


Figure 7

Technical Bulletin

- Highlight “Basic settings” and click perform (Figure 8).

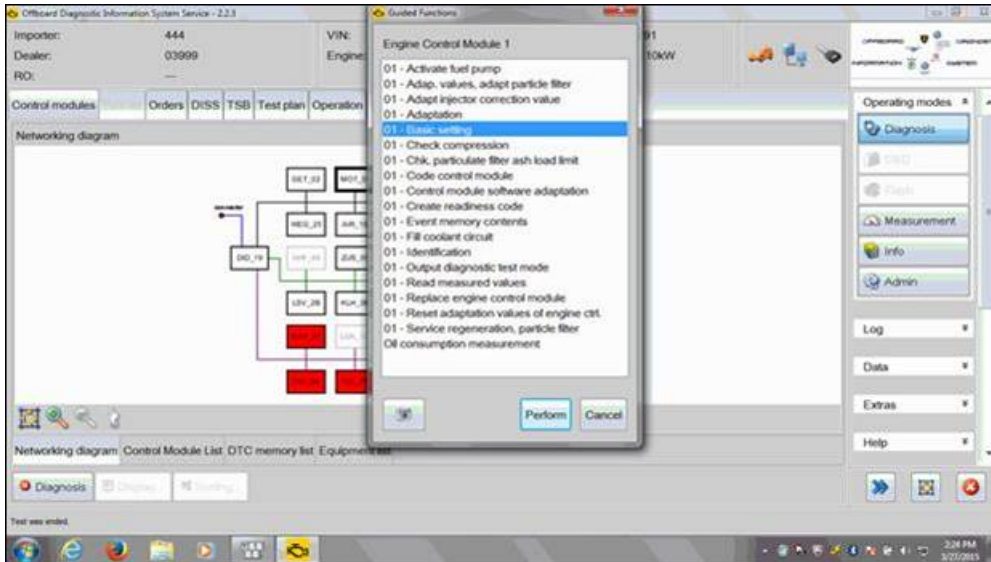


Figure 8

- Using the “+” and “-“ select “Adaption of exhaust flap” and click start (Figure 9). Basic settings will now run for the adaption of the exhaust flap.

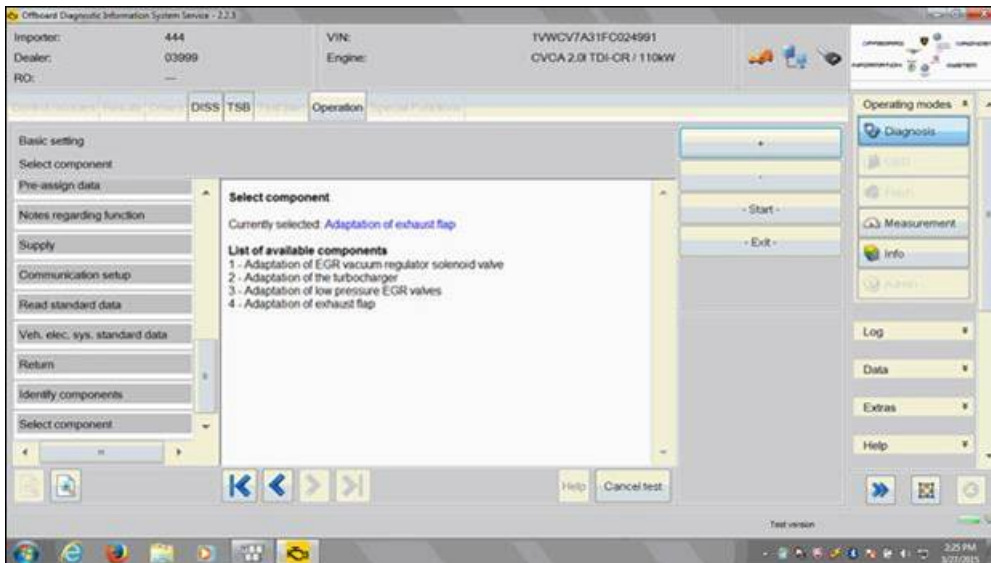


Figure 9

- Once Basic Settings is done, repair is complete.



Technical Bulletin

Warranty

To determine if this procedure is covered under Warranty, always refer to the Warranty Policies and Procedures Manual ¹⁾					
Model(s)	Year(s)	Eng. Code(s)	Trans. Code(s)	VIN Range From	VIN Range To
Golf	2015	2.0L TDI (CRUA)	All	All	All
Passat, Beetle, Beetle Convertible, Jetta	2015	2.0L TDI (CVCA)	All	All	All
SAGA Coding					
Claim Type:		Use applicable Claim Type ¹⁾			
Service Number:		Damage Code	HST	Damage Location (Depends on Service No.)	
2671		0040	--	Use applicable when indicated in ElsaWeb (L/R)	
Parts Manufacturer		Golf, Passat		WVO ²⁾	
		Beetle, Beetle Convertible, Jetta		3ME ²⁾	
Labor Operation ³⁾ : Replace Actuator (Passat Only)			26711933 = 40 TU		
Labor Operation ³⁾ : Replace Actuator			26711905 = 40 TU		
Labor Operation ³⁾ : Actuator learn procedure			Included in GFF Time expenditure		
Causal Part:			5Q0 253 692		
Diagnostic Time ⁴⁾					
GFF Time expenditure		01500000 = 30 TU max.		YES	
Road Test		01210002 = 00 TU 01210004 = 00 TU		NO	



Technical Bulletin

Technical Diagnosis	01320000 = 00 TU max.	NO
Claim Comment: Input "As per Technical Bulletin 2038752" in comment section of Warranty Claim.		
1) Vehicle may be outside any Warranty in which case this Technical Bulletin is informational only		
2) Code per warranty vendor code policy.		
3) Labor Time Units (TUs) are subject to change with ELSA updates.		
4) Documentation required per Warranty Policies and Procedures Manual.		

Required Parts and Tools

Part No:	Part Description	Quantity
5Q0 253 692	Exhaust Flap Actuator (with hardware)	1

Tool Description	Tool No:
Midtronics Battery Tester/Charger	InCharge 940 (INC-940) or GRX3000VAS
VAS Diagnostic Tool	VAS 6150/X & VAS 6160/X with ODIS Service with: current online updates

Additional Information

All part and service references provided in this Technical Bulletin are subject to change and/or removal. Always check with your Parts Dept. and Repair Manuals for the latest information.