

This Field Service Bulletin replaces bulletin "Two Piece Valve Cover Name Plate, Replacement", (USA138683208) PV729-FSB211-004_V, dated 05/2017.

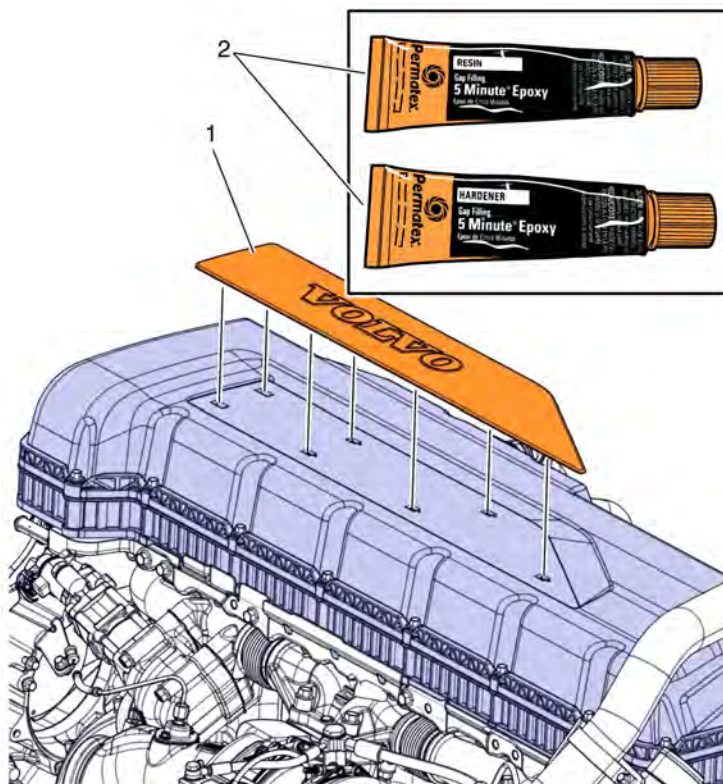
Date	Group	No.	Release	Page
10.2017	211	002	02	1(7)

Two Piece Valve Cover Name Plate,
Replacement
VN, VHD, VAH

FSB 211-002, Two Piece Valve Cover Name Plate, Replacement

(October 2017)

On some VOLVO VN, VHD, and VAH trucks built from January 2014 to July 2017 and equipped with the name plate on a two piece valve cover, the name plate may come loose. Over time, weak clips in combination with water absorption in the plastic may lead to the deformation of the nameplate. Epoxy must be added at seven positions between the valve cover and nameplate to secure the name plate to the valve cover. Follow the repair instructions outlined in this Field Service Bulletin (FSB).



W2120330

Required Parts Two Piece Valve Cover Name Plate, Replacement

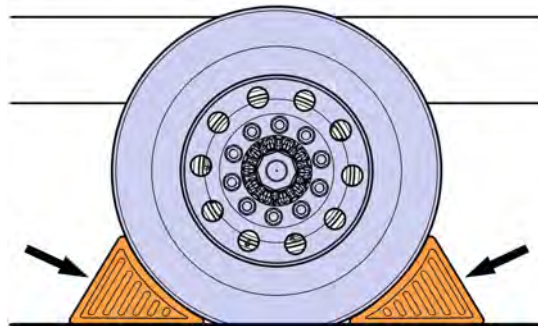
Item	Description	Part Number	Qty
1	Valve Cover Name Plate	23014326	1
2	5 Minute Epoxy	(Off the shelf item)	2

Decommissioning the Truck for Repair

You must read and understand the precautions and guidelines in Service Information, group 20, "General Safety Practices, Engines" before performing this procedure. If you are not properly trained and certified in this procedure, ask your supervisor for training before you perform it.

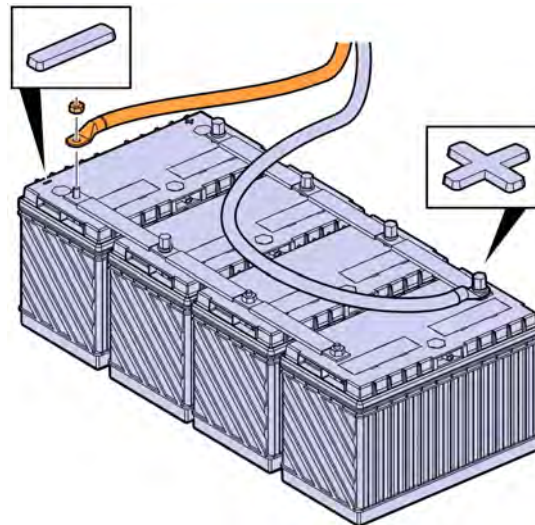
NOTE: Information is subject to change without notice. Illustrations are used for reference only and can differ slightly from the actual vehicle being serviced. However, key components addressed in this information are represented as accurately as possible.

- 1 Park the vehicle on a flat and level surface.
- 2 Apply the parking brake.
- 3 Place the transmission in neutral or park.
- 4 Install the wheel chocks on the front wheels.



W7086748

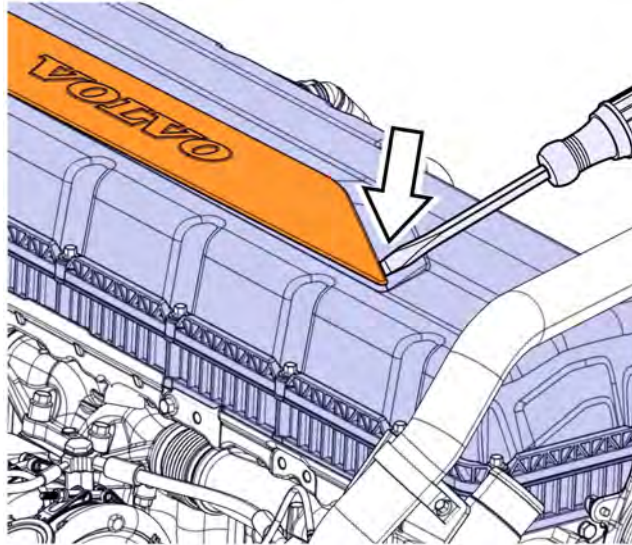
- 5 Disconnect the cable from the battery's negative terminal.



W3086747

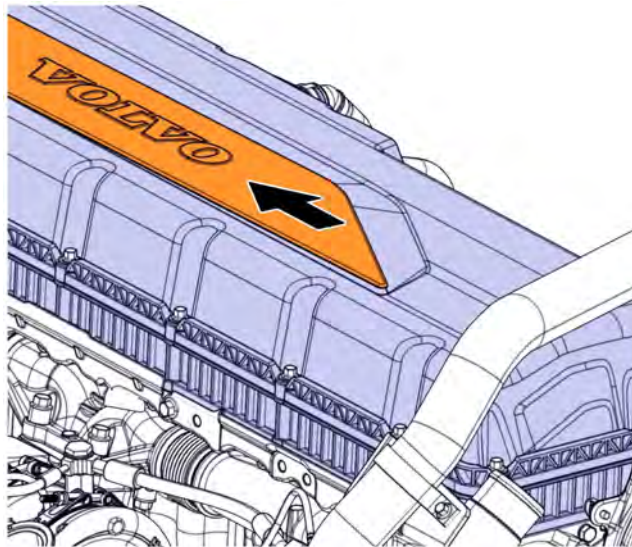
Two Piece Valve Cover Name Plate, Replacement Procedure

- 1 Raise the hood.
- 2 With a screwdriver or suitable tool, carefully pry up on the front edge of the name plate.



W2120331

- 3 Using your hands, apply steady pressure on the name plate and push straight back until it is free from the valve cover.



W2120332

- 4 Clean the name plate and valve cover mating surfaces.

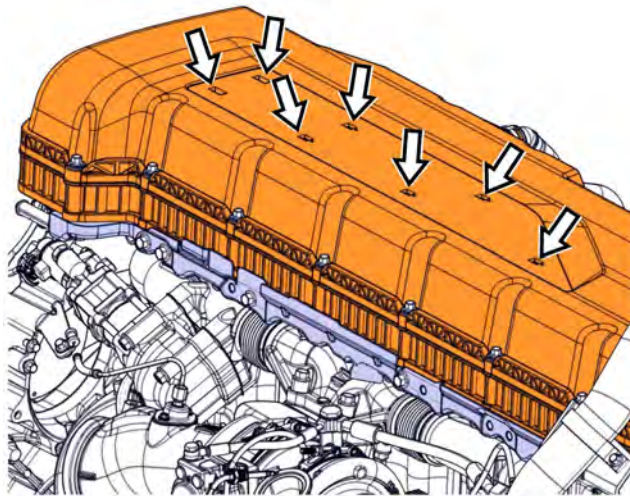
Note: If the removed name plate is deformed or damaged, replace it with a new name plate (part number 23014326).

- 5 Mix the appropriate amount of epoxy per manufacture instructions.



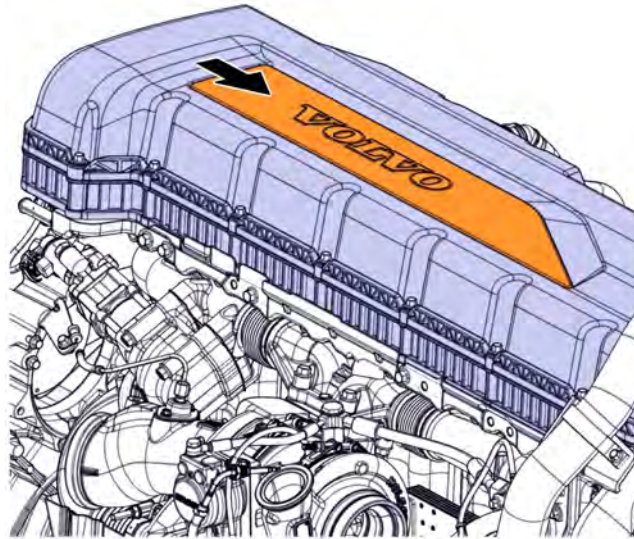
W2120333

- 6 Apply the mixed epoxy to the valve cover locations shown in the image below.



W2120334

- 7 Starting at the rear, position the name plate and push forward until it is seated properly on the valve cover.
- 8 Apply pressure on the name plate to ensure the epoxy has bonded between the name plate and the valve cover.

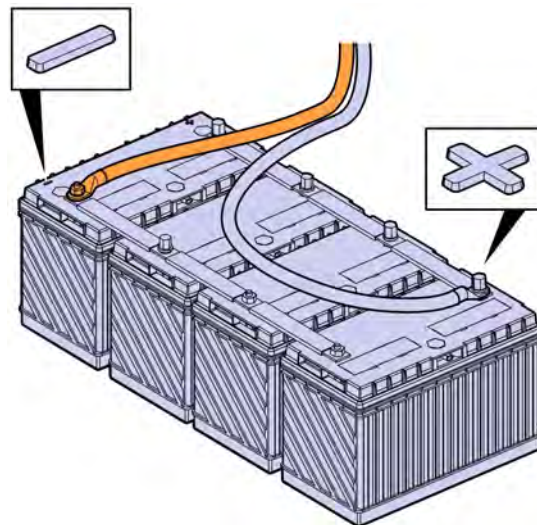


W2120335

- 9 Close and latch the hood.

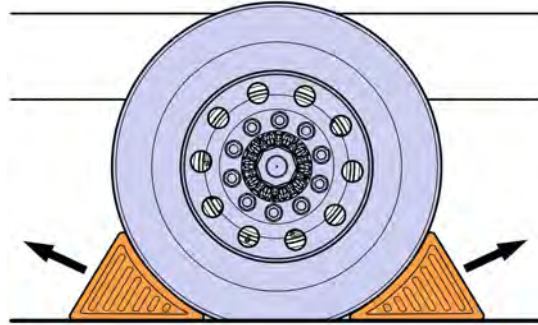
Commissioning the Truck for Operation

- 1 Connect the battery cable to the negative (ground) terminal.



W3086758

2 Remove the wheel chocks.



W7086759

Reimbursement

<p>This repair may be eligible for reimbursement if a product failure was experienced within time and mileage limits of the applicable Warranty coverage. Reimbursement is obtained via the normal claim handling process.</p>	<p>UCHP Reimbursement</p>
<p>Claim Type (used only when uploading from the Dealer Bus. Sys.)</p>	<p>W</p>
<p>Labor Code</p>	<p style="background-color: #cccccc;"></p>
<p>Primary Labor Code (Two Piece Valve Cover Name Plate, Replacement)</p>	<p>2115-03-09-01 0.3 hrs.</p>
<p>Causal Part</p>	<p>21682581</p>

VOLVO Trucks North America reserves the right to make any changes in design or to make additions to or upon its products without incurring any obligations to install the same on vehicles previously built.