

# Technical Service Bulletin



## 17 Engine oil service - filter cartridge replacement

17 13 38 2012913/5 March 27, 2013. Supersedes Technical Service Bulletin Group 17 number 10-07 dated June 3, 2010 for reasons listed below.

Model(s)	Year	VIN Range	Vehicle-Specific Equipment
A6	2005 - 2008	All	Engine code BKH
A6	2009 - 2011	All	Engine code CCAA
A6/A7	2012	All	Engine code CGXB
A6/A7	2013 - 2014	All	Engine code CTUA
Q7	2011 - 2012	All	Engine code CJWB
Q7	2011 - 2012	All	Engine code CJWC
Q7	2013 - 2014	All	Engine code CTWB
Q7	2013 - 2014	All	Engine code CTWA
A5 Cabriolet	2010 - 2013	All	Engine code CCBA
A5 Cabriolet	2014	All	Engine code CTUB
TT	2007 - 2008	All	Engine code BPY
A4	2010 - 2012	All	Engine code CCBA
A4	2013 - 2014	All	Engine code CGXC
A4	2005 - 2006	All	Engine code BPG
A4	2005 - 2008	All	Engine code BKH
A4	2007 - 2008	All	Engine code BWT
A3	2005 - 2008	All	Engine code BPY
Q5	2009 - 2012	All	Engine code CALB
Q5	2013	All	Engine code CGXB

# Technical Service Bulletin



Q5	2014	All	Engine code CTUC
Q5	2014	All	Engine code CTUD
A5	2013	All	Engine code CGXC
A5	2014	All	Engine code CTUB
Cabriolet	2007 - 2008	All	Engine code BKH
Cabriolet	2007 - 2008	All	Engine code BWT

## Condition

REVISION HISTORY		
Revision	Date	Purpose
5	-	Revised header data (added model years and engine code)
4	6/3/2010	Revised header data (Controlling TSB display in ElsaWeb)
3	12/22/2008	Revised Title to add Repair Group

Oil filter cartridge requires replacement.

## Technical Background

Not applicable.

## Production Solution

Not applicable.

## Service

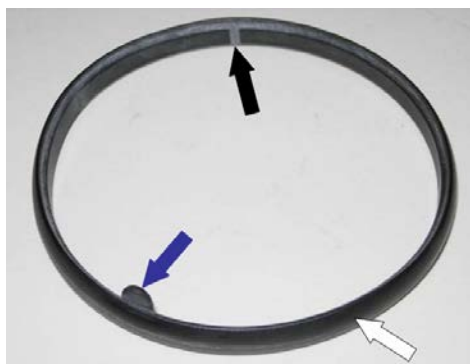
When changing the oil filter and installing the new filter seal(s) in the oil filter housing, special attention is required.



**Note:** Be aware that this seal can be installed inside-out, which must be avoided to prevent oil leaks.

# Technical Service Bulletin

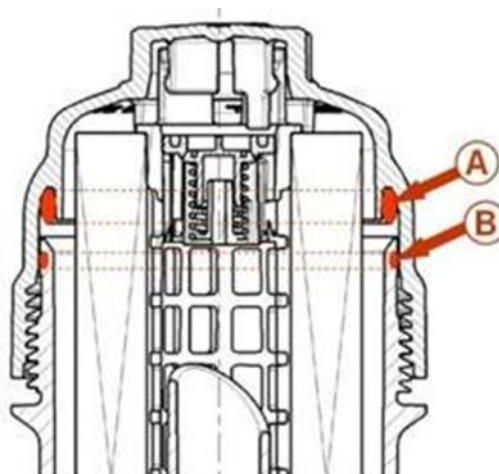
1. Before installing new oil seal(s), remove old seal(s) and ensure that the filter cover seal groove is clear of any debris.
2. Lubricate the surface of the new seal (Figure 1). Do not use any sharp tool to install the gasket.
3. Install the seal with the convex surface of the seal (Figure 1, white arrow) facing out and the flat surface of the seal with the vertical slot (Figure 1, black arrow) in. The "half-moon" tab (Figure 1, blue arrow) must be visible when the seal is installed in the groove.



**Figure 1.** The proper position of the seal, with the convex surface facing out and the flat surface facing in.

### 3.0T and 3.2FSI engines only:

1. An additional O-Ring (Figure 2, B) is used in the 3.2 FSI oil filter housing. Place the O-Ring (Figure 2, B) in the groove of the oil filter bracket before installing the oil filter housing.
2. After properly inserting the new cartridge into the housing, torque the assembly to 25Nm.



**Figure 2.** The 3.2, 3.0T FSI oil filter cover in service position.

## Warranty

This TSB is informational only and not applicable to any Audi warranty.

## Additional Information

All part and service references provided in this TSB are subject to change and/or removal. Always check with your Parts Dept. and service manuals for the latest information.