

# Service Information

## Special Tools and Equipment

Number: ATE-13-05

**Subject:** Audi Special Tool Package  
Automatic tool shipment AT-348 Minimum Requirement  
Audi USA and Canada

Date: Feb. 22, 2013

VWGoA is pleased to inform you of the release and automatic delivery of new Required Special Tools used on Audi vehicles.

Starting March 25, 2013, every Audi dealer will be shipped one AT-348 Special Tool Package, Freight F.O.B. Snap-On OEM and invoiced directly by the Audi Special Tools Program (Snap-On Business Solutions - SBS).

**If you wish to order additional AT-348 Special Tool Packages, please notify the Audi Tools and Equipment program (800-892-9650) before March 25, 2013. To save on shipping, additional individual pieces of the package may be ordered from the Audi Tools and Equipment program after the automatic shipments take place.**


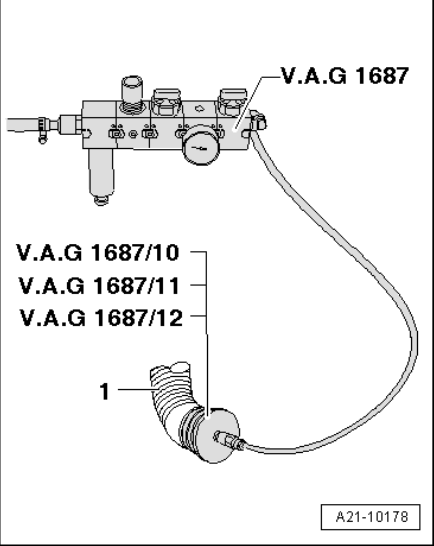
**All shipping and billing inquiries should be directed to the Audi Tools and Equipment program (800-892-9650).**

### AUDI SPECIAL TOOL PACKAGE AT-348

<u>Package Qty</u>	<u>Franchise Type</u>	<u>Dealer Price USA</u>	<u>Dealer Price CDN</u>
Two Tools	All Audi dealers	\$66.40	\$98.35*

Note \* Canadian prices are subject to change. USD to CAD conversion will be calculated at time of invoicing at the current rate. Canadian pricing also accounts for importation costs from US to Canada.

# Service Information

Tool Description	Repair Group	Illustration
<p>VAG1687/12 Adapter VAG1687/12</p> <p>The stepped adapter V.A.G 1687/12 is required to check for leaks in the charge air path. The check is described in the relevant technical product information and workshop manuals (for example, for problems with diesel particulate filters).</p> <p>Audi A3 with a 2.0L 4V TDI CR</p> <p>Warranty 24 months</p> <p>ASE 402 115 00 000</p>	<p>21</p>	  

# Service Information

## VAG1687/13 Adapter set V.A.G 1687/13

The adapter set is required in conjunction with charge air system tester V.A.G 1687 for leak testing on the compressor module.

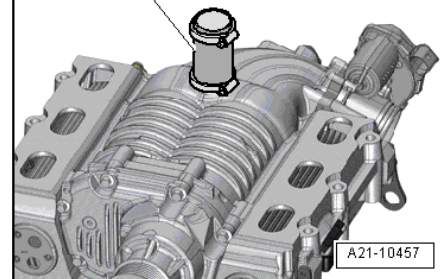
Audi A4 2008 >, Audi A6 2005 >, 6 cyl. Petrol direct injection 3.0 L 4V compressor. Audi A8 2010>, 6 cyl. 3.0 L 4V compressor.

Warranty 24 months

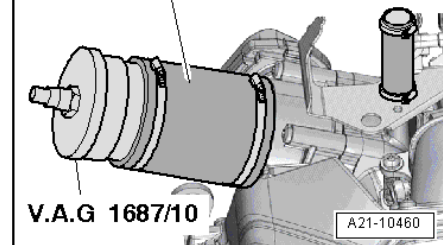
21



V.A.G 1687/13-1



V.A.G 1687/13-2



V.A.G 1687/13-3

