



Applies To: **2003 3.2CL** – Check the iN VIN status for eligibility  
**2002-03 3.2TL** – Check the iN VIN status for eligibility

September 26, 2014

## Safety Recall: Driver's Airbag Inflator Can Be Over-Pressurized (Supersedes 09-033, dated December 21, 2011, to revise the information marked by the black bars)

### REVISION SUMMARY

- Not all serial numbers have 13 digits, so this numerical reference was deleted from WARRANTY CLAIM INFORMATION and REPAIR PROCEDURE.
- Under REPAIR PROCEDURE, a step was changed.

### BACKGROUND

A manufacturing error can produce over-pressurization of the driver's (front) airbag inflator during airbag deployment. If an affected airbag deploys, the increased internal pressure may cause the inflator casing to rupture. Metal fragments could pass through the airbag cushion material, possibly causing an injury or fatality to vehicle occupants.

### CLIENT NOTIFICATION

All owners of affected vehicles will be sent a notification of this campaign. An example of the client notification is included at the end of this service bulletin.

Do an **iN VIN status inquiry** to make sure the vehicle is shown as eligible.

In addition, check for a punch mark above the third character of the engine compartment VIN. A punch mark in that location means this campaign has already been completed.

Some vehicles affected by this campaign may be in your used vehicle inventory. These vehicles must be repaired before they are sold.

Should a dealership sell an unrepaired vehicle that subsequently causes an injury or damage because of the recalled item, the dealership will be solely responsible to the damaged party, and will be required to defend and indemnify American Honda for any resulting claims. To see if a vehicle in inventory is affected by this campaign, do a VIN status inquiry before selling it.

### CORRECTIVE ACTION

Install a driver's airbag inflator kit, then return the original, **undeployed** inflator as directed.

### PARTS INFORMATION

Driver's Airbag Inflator Kit:

P/N 04770-S5A-305\*

Includes inflator with wire harness, locknuts (4), felt tape, felt washers (4), Torx bolts (2), and shipping instructions.

### NOTE:

- The inflator kit box must be used to return the old inflator to its supplier, **ideally within 48 hours of the repair**. Be careful not to damage the inflator kit box.
- If the defective, undeployed inflator is not returned, the warranty claim for that vehicle will be charged back to your dealership.

\*The kit contains FedEx Ground shipping documents and instructions for the airbag inflator. If you are a dealer in Alaska or Hawaii, call the WPI administrative office at **937-642-2737** for FedEx Air shipping documents and instructions; do not use the documentation included in the airbag inflator kit.

## WARRANTY CLAIM INFORMATION

### NOTE:

- To avoid non-payment of warranty claims, the serial number on the box of the new airbag inflator must be entered in the **Diagnostic Trouble Codes** field on each warranty claim. For more information, refer to step 1 of REPAIR PROCEDURE.
- To avoid a warranty claim being charged back to your dealership, the original, undeployed inflator must be returned.
- Follow the shipping instructions supplied with the inflator kit. If you have any questions about shipping, call Warranty Parts Inspection (WPI) at **937-642-2737**.

Operation Number: 7521F4

Flat Rate Time: 0.5 hour

Failed Part: P/N 06770-S84-A11ZA

Defect Code: 5SZ00

Symptom Code: R1300

Skill Level: Repair Technician

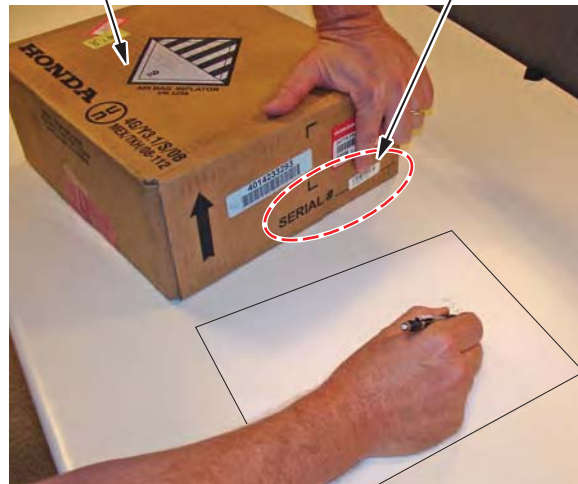
## REPAIR PROCEDURE

### NOTE:

- Be careful not to damage any parts when replacing the inflator, and **follow the procedure exactly**.
  - If, before removing the airbag, you suspect that it may not be the correct airbag for the vehicle or a counterfeit, **do not remove the airbag**. Contact your DPSM for assistance.
1. Write down the serial number located on the right side of the new airbag inflator's box. For the warranty claim to be paid, your warranty clerk must enter this serial number in the **Diagnostic Trouble Codes** field on the warranty claim.

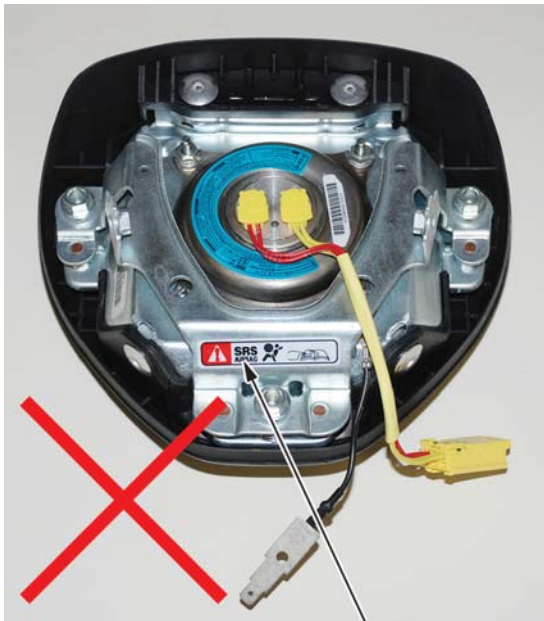
INFLATOR BOX

SERIAL NUMBER

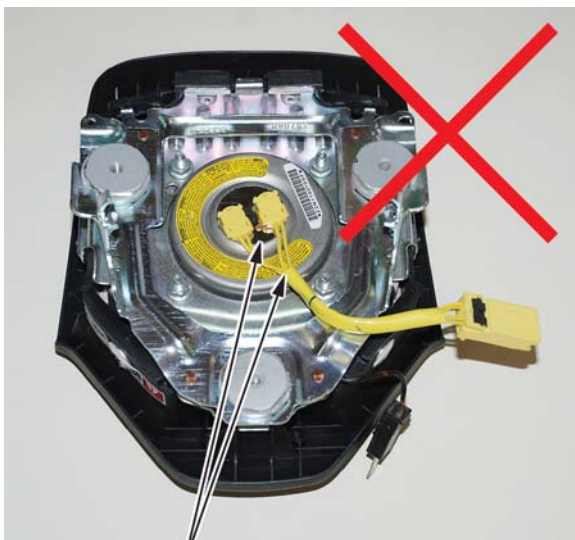


2. Remove the driver's airbag:
  - Refer to page 23-219 of the *1999–2003 3.2TL Service Manual*, or
  - Refer to page 23-204 of the *2001–2003 3.2CL Service Manual*, or
  - Online, enter keywords **DRIVER AIR**, and select **Driver's Airbag Replacement** from the list.
3. Place the airbag, face down, on a clean shop towel.

4. Visually inspect the airbag and the inflator for any unusual writing or markings.
  - If there is nothing unusual about the airbag or the inflator, go to step 5.
  - If there is unusual markings, like an incorrect label or a model year written in marker, the airbag and inflator may not be the correct airbag and/or inflator for the vehicle or it may be a counterfeit part. For more information about counterfeit airbags, you can refer to [safercar.gov](http://safercar.gov), enter keywords **MANAGING COUNTERFEIT**, and select *Recommended Dealer Guidance for Managing Counterfeit Air Bags* from the list. If you suspect that the airbag or inflator is counterfeit, do not continue this procedure. Contact your DPSM for assistance.

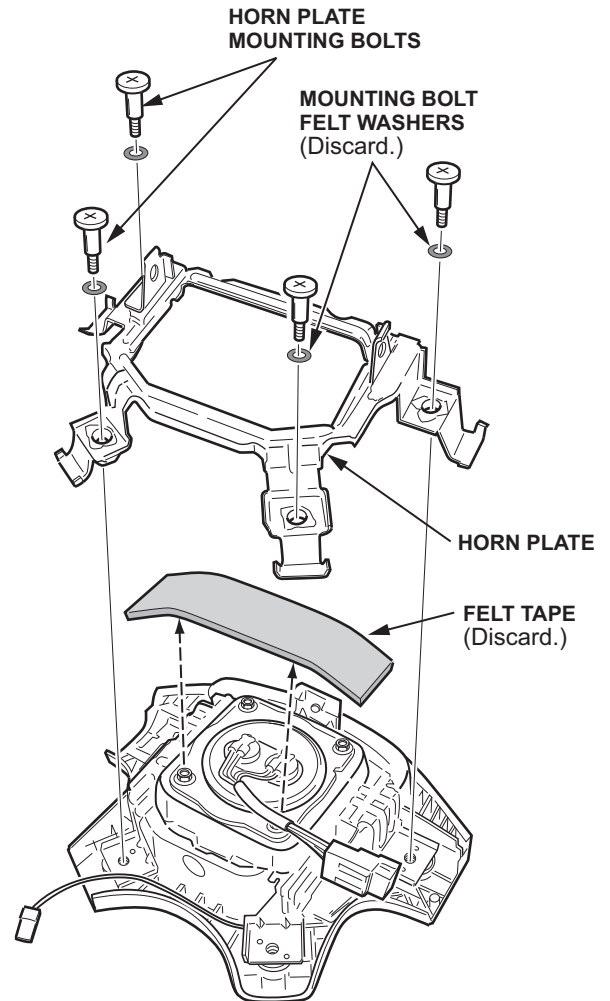


NON-STANDARD SAFETY LABEL



NON-STANDARD WIRES

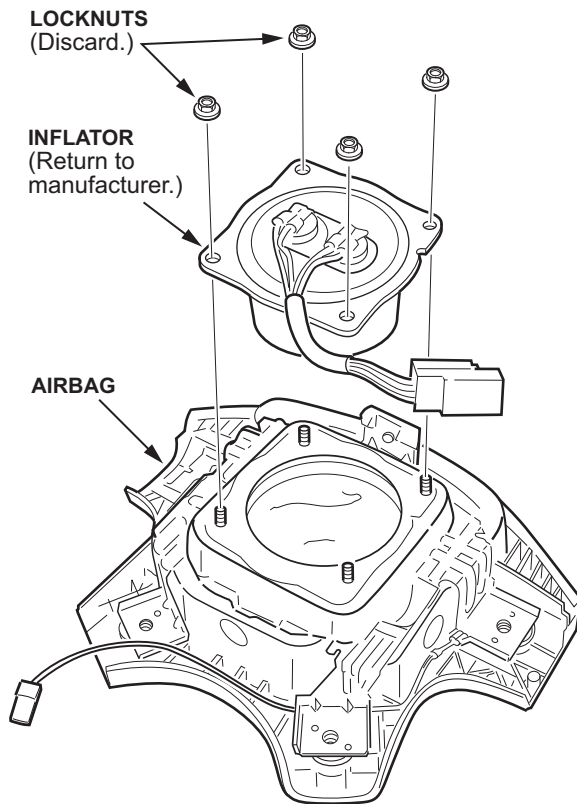
5. Remove the four horn plate mounting bolts, the mounting bolt felt washers, and the horn plate. The felt washers will not be reused.



6. Remove and discard the felt tape covering the lower two inflator locknuts.

- Using needle-nose vise grips or a 3/8 in. 6-point socket, remove the four locknuts from the inflator. The locknuts will not be reused.

NOTE: Do not remove the inflator from the airbag until you complete step 7.



- Use shop air to clean any debris that may be on the inflator, then remove the inflator from the airbag.

NOTE:

- Do not allow any debris to enter the inflator opening in the airbag.
- Do not deploy the inflator.** The inflator must be returned in the box the new inflator came in.

- Turn over the airbag (inflator side down), and shake it to remove any debris from the inflator opening.

- Install the new inflator in the airbag with new locknuts. Torque the locknuts to **3.9 N·m (2.8 lb-ft, 34 lb-in)**.

NOTE:

- The new inflator is slightly different than the original inflator, but they are still interchangeable.
- There may be some minor surface rust or corrosion on the new inflator; this is OK.

- Cover the lower two inflator locknuts with new felt tape.

- Reinstall the horn plate with new felt washers on its mounting bolts. Torque the mounting bolts to **3.4 N·m (2.5 lb-ft, 30 lb-in)**, then make sure the horn plate moves freely.

- Reinstall the driver's airbag using new Torx bolts:
  - Refer to the appropriate service manual, or
  - Online, enter keywords **DRIVER AIR**, and select **Driver's Airbag Replacement** from the list.

- Center-punch a completion mark above the third character of the engine compartment VIN:

Center-punch here.

19UAXXXXXXXXXXXXX

- Give your warranty clerk the inflator serial number you wrote down in step 1. For the warranty claim to be paid, your warranty clerk must enter the appropriate serial number in the **Diagnostic Trouble Codes** field on each warranty claim.

#### Example of Client Letter No. 1

December 2011

#### Safety Recall: Driver's Airbag Inflator - NHTSA Recall 11V-260

Dear Acura Owner:

This notice is sent to you in accordance with the requirements of the National Traffic and Motor Vehicle Safety Act.

#### What is the reason for this notice?

Acura has decided that a defect related to motor vehicle safety exists in certain 2002–2003 model year TL vehicles and 2003 model year CL vehicles. In some vehicles, the driver's airbag inflator could produce excessive internal pressure. If an affected airbag deploys, the increased internal pressure may cause the inflator to rupture. Metal fragments could pass through the airbag cushion material possibly causing injury or fatality to vehicle occupants.

#### What should you do?

You must have your vehicle's driver's airbag inflator replaced; this work will be done *free of charge*. You must have the inflator replaced even if, earlier this year, you 1) had your vehicle inspected and were told that the driver's airbag inflator did not need to be replaced, as we have now determined that the inflator must be replaced, or 2) received a separate driver's airbag recall notification letter and did not take any action in response to it. In all cases, call any authorized Acura dealer and make an appointment to have the driver's airbag inflator replaced. The replacement process may be completed in approximately 30 minutes; however, your vehicle will need to be at the dealer for a longer period of time. We recommend that you plan to leave your vehicle for half a day to allow the dealer flexibility in scheduling.

**Who to contact if you experience problems**

If you are not satisfied with the service you receive from your Acura dealer, you may write to:

American Honda Motor Co., Inc.  
Acura Client Relations  
Mail Stop 500-2N-7E  
1919 Torrance Blvd.  
Torrance, CA 90501-2746

If you believe that American Honda or the dealer has failed or is unable to remedy the defect in your vehicle, without charge, within a reasonable period of time (60 days from the date you first contact the dealer for a repair appointment), you may submit a complaint to:

Administrator  
National Highway Traffic Safety Administration  
1200 New Jersey Ave., SE  
Washington, DC 20590

You can also call the toll-free Safety Hotline at 1-888-327-4236 (TTY 1-800-424-9153), or go to <http://www.safercar.gov>.

**Lessor information**

Federal law requires that any vehicle lessor receiving this recall notice must forward a copy of this notice to the lessee within 10 days.

**If you have questions**

If you have any questions about this notice, or need assistance with locating an Acura dealer, please call Acura Client Relations at 1-800-382-2238, and select option 4. You can also locate a dealer online at [Acura.com](http://Acura.com).

We apologize for any inconvenience this campaign may cause you.

Sincerely,

**American Honda Motor Co., Inc.  
Acura Automobile Division**

**Example of Client Letter No. 2**

December 2011

**Safety Recall: Driver's Airbag Inflator -  
NHTSA Recall 11V-260**

Dear Acura Owner:

This notice is sent to you in accordance with the requirements of the National Traffic and Motor Vehicle Safety Act.

**What is the reason for this notice?**

Acura has decided that a defect related to motor vehicle safety exists in certain 2002–2003 model year TL vehicles and 2003 model year CL vehicles. In some vehicles, the driver's airbag inflator could produce excessive internal pressure. If an affected airbag deploys, the increased internal pressure may cause the inflator to rupture. Metal fragments could pass through the airbag cushion material possibly causing injury or fatality to vehicle occupants.

**What should you do?**

Call any authorized Acura dealer and make an appointment to have your vehicle repaired. The dealer will replace the driver's airbag inflator. The replacement process may be completed in approximately 30 minutes; however, your vehicle will need to be at the dealer for a longer period of time. We recommend that you plan to leave your vehicle for half a day to allow the dealer flexibility in scheduling. This work will be done *free of charge*.

**Who to contact if you experience problems**

If you are not satisfied with the service you receive from your Acura dealer, you may write to:

American Honda Motor Co., Inc.  
Acura Client Relations  
Mail Stop 500-2N-7E  
1919 Torrance Blvd.  
Torrance, CA 90501-2746

If you believe that American Honda or the dealer has failed or is unable to remedy the defect in your vehicle, without charge, within a reasonable period of time (60 days from the date you first contact the dealer for a repair appointment), you may submit a complaint to:

Administrator  
National Highway Traffic Safety Administration  
1200 New Jersey Ave., SE  
Washington, DC 20590

You can also call the toll-free Safety Hotline at 1-888-327-4236 (TTY 1-800-424-9153), or go to <http://www.safercar.gov>.

**Lessor information**

Federal law requires that any vehicle lessor receiving this recall notice must forward a copy of this notice to the lessee within 10 days.

**If you have questions**

If you have any questions about this notice, or need assistance with locating an Acura dealer, please call Acura Client Relations at 1-800-382-2238, and select option 4. You can also locate a dealer online at [Acura.com](http://Acura.com).

We apologize for any inconvenience this campaign may cause you.

Sincerely,

**American Honda Motor Co., Inc.  
Acura Automobile Division**