



Technical Bulletin

Model(s)	Year	Eng. Code	Trans. Code	VIN Range From	VIN Range To
Golf, GTI, Jetta SportWagen	2010 - 2014	All	All	All	All
Jetta Sedan	2011 - 2014	All	All	All	All
Passat	2012 – 2014	All	All	All	All

Condition

69 14 02 March 26, 2014 **2029767** Supersedes Technical Bulletin V691301 dated February 11, 2013 to include additional model year applicability.

Airbag Warning Lamp Illuminated in Instrument Cluster, DTC B101614 Stored in Airbag Control Module

Technical Background

Airbag lamp in instrument cluster may illuminate due to unfastened connector for passenger airbag warning lamp.

Note:

Symptom as described will not affect airbag functionality.

Production Solution

Information only.

Technical Bulletin

Service

Procedure

- Verify airbag indicator lamp in instrument cluster is ON.
- Using GFF, scan vehicle for DTCs.
- Verify DTC B101614 is stored in airbag module.

Fault Code	Description
B101614	Front passenger airbag disabled indicator lamp interruption/short - circuit to ground

Note:

If any other faults are present in airbag module, further diagnosis is required.

- If DTC is present, clear fault memory and recheck for code.
- If fault clears, and the airbag indicator in the instrument cluster does not illuminate, no repairs necessary.
- If DTC reoccurs, remove center console cover using wedge tool 3409, inspect wiring connections to “PASSENGER AIR BAG WARNING LAMP” (see figures 3 and 4), for loose connection.
- Secure wiring connections as necessary.
- If connection is secure, further diagnosis is needed. This technical bulletin does not apply.
- Clear DTCs again and retest operation to verify airbag lamp is OFF in instrument cluster.

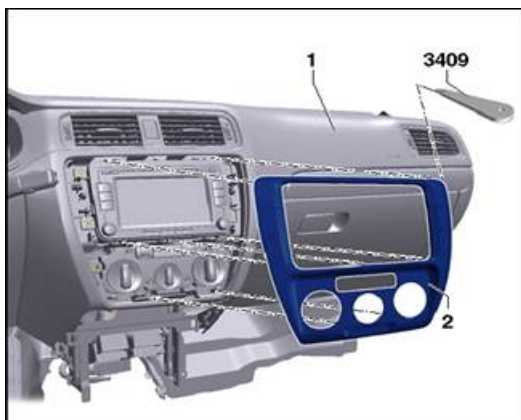


Figure 1 No - Climatronic

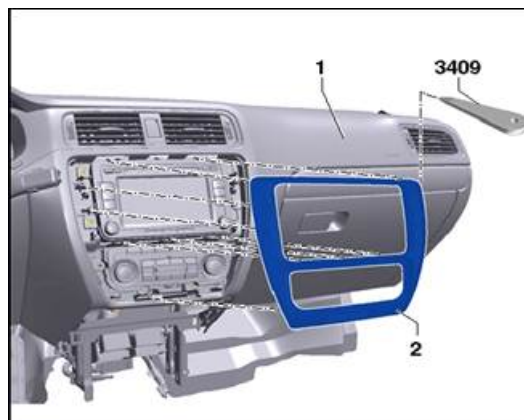


Figure 2 Climatronic

Technical Bulletin



Figure 3



Figure 4

Warranty

To determine if this procedure is covered under Warranty, always refer to the Warranty Policies and Procedures Manual ¹⁾

Model(s)	Year(s)	Eng. Code(s)	Trans. Code(s)	VIN Range From	VIN Range To
Golf, GTI, Jetta SportWagen	2010 - 2014	All	All	All	All
Jetta Sedan	2011 - 2014	All	All	All	All
Passat	2012 – 2014	All	All	All	All
SAGA Coding					
Claim Type:			Use applicable Claim Type ¹⁾		
Service Number:	Damage Code	HST	Damage Location (Depends on Service No.)		
6982	0015	--	Use applicable when indicated in ElsaWeb (L/R)		
Parts Manufacturer	Golf, GTI		WVO ²⁾		
	Jetta Sedan, Jetta SportWagen		3ME ²⁾		
	Passat		TX6 ²⁾		



Technical Bulletin

Labor Operation ³⁾ : Remove and Install Center console trim, reconnect passenger airbag warning lamp harness connector.		69824199 = 20 TU (loose connection found)
Causal Part: Select labor operation		69824199
Diagnostic Time ⁴⁾		
GFF Time expenditure	01500000 = 20 TU max.	YES
Road Test	01210002 = 00 TU 01210004 = 00 TU	NO
Technical Diagnosis	01320000 = 00 TU max.	NO
Claim Comment: Input "As per Technical Bulletin 2029767" in comment section of Warranty Claim.		
<p>¹⁾ Vehicle may be outside any Warranty in which case this Technical Bulletin is informational only</p> <p>²⁾ Code per warranty vendor code policy.</p> <p>³⁾ Labor Time Units (TUs) are subject to change with ELSA updates.</p> <p>⁴⁾ Documentation required per Warranty Policy Procedures Manual.</p>		

Required Parts and Tools

No special parts required.

Tool Description	Tool No:
Wedge Tool	3409
Midtronics Battery Tester/Charger	InCharge 940 (INC-940)
VAS Diagnostic Tool	VAS 5051B, VAS 5052A, VAS 6150/X & VAS 6160/X with: ODIS Service 2.0.0 or higher with current online updates



Technical Bulletin

Additional Information

All part and service references provided in this Technical Bulletin are subject to change and/or removal. Always check with your Parts Dept. and Repair Manuals for the latest information.