



Applies To: **2003 3.2CL** – Check the iN VIN status for eligibility
2002–03 3.2TL – Check the iN VIN status for eligibility

September 12, 2014

Safety Recall: Replacement Driver's Airbag Inflator Can Be Over-Pressurized

(Supersedes 10-026, dated December 21, 2011, to revise the information marked by the black bars)

REVISION SUMMARY

- Under PARTS INFORMATION, the part number changed.
- Under INSPECTION PROCEDURE, a step and note were added.

BACKGROUND

A small number of airbag modules with defective inflators were sold as replacement parts to replace deployed or damaged airbags.

A manufacturing error can produce over-pressurization of some replacement driver's (front) airbag inflators during airbag deployment. If an affected airbag deploys, the increased internal pressure may cause the inflator casing to rupture. Metal fragments could pass through the airbag cushion material, possibly causing an injury or fatality to vehicle occupants.

CLIENT NOTIFICATION

All owners of affected vehicles will be sent a notification of this campaign. An example of the client notification is included at the end of this service bulletin.

Do an **iN VIN status inquiry** to make sure the vehicle is shown as eligible.

In addition, check for a punch mark below the fifth character of the engine compartment VIN. A punch mark in that location means this campaign has already been completed.

Some vehicles affected by this campaign may be in your used vehicle inventory. These vehicles **must** be repaired before they are sold.

Should a dealership sell an unrepaired vehicle that subsequently causes an injury or damage because of the recalled item, the dealership will be solely responsible to the damaged party, and will be required to defend and indemnify American Honda for any resulting claims. To see if a vehicle in inventory is affected by this campaign, do a VIN status inquiry before selling it.

CORRECTIVE ACTION

Most vehicles will require an inspection only. Do the **INSPECTION PROCEDURE** and, if needed, install a driver's airbag inflator kit, then return the defective, **undeployed** inflator as directed.

PARTS INFORMATION

NOTE:

- All the vehicles involved in this campaign require inspection. However, only a very small number of these vehicles require replacement of the airbag inflator compared to the large number of vehicles that will require an inspection. Order an airbag inflator kit **only if** the inspection shows that the inflator must be replaced.
- Always use new Torx bolts to reinstall the airbags**, even on vehicles that do not need a new inflator. The new Torx bolts are coated with threadlock to make sure they do not come loose.

Torx Airbag Bolts: P/N 90134-S04-A81
 (Two bolts are required to install an airbag)

Driver's Airbag Inflator Kit: P/N 04770-S5A-305*
 Includes inflator with wire harness, locknuts (4), felt tape, felt washers (4), Torx bolts (2), and shipping instructions.

NOTE:

- The inflator kit box must be used to return the old inflator to its supplier, **ideally within 48 hours of the repair**. Be careful not to damage the inflator kit box.
- If the defective, undeployed inflator is not returned, the warranty claim for that vehicle will be charged back to your dealership.

*The kit contains FedEx Ground shipping documents and instructions for the airbag inflator. If you are a dealer in Alaska or Hawaii, call the WPI administrative office at **937-642-2737** for FedEx Air shipping documents and instructions; do not use the documentation included in the airbag inflator kit.

WARRANTY CLAIM INFORMATION

NOTE:

- If the airbag inflator is replaced, to avoid non-payment of warranty claims, the 13-digit serial number on the box of the new airbag inflator must be entered in the **Diagnostic Trouble Codes** field on each warranty claim. For more information, refer to step 1 of REPAIR PROCEDURE B.
- To avoid a warranty claim being charged back to your dealership, the defective, undeployed inflator must be returned to its supplier. For more information, refer to INFLATOR PACKING AND GROUND SHIPPING INSTRUCTIONS: DEALERS IN THE 48 CONTIGUOUS STATES or INFLATOR PACKING AND AIR SHIPPING INSTRUCTIONS: DEALERS IN ALASKA AND HAWAII.

OP#	Description	FRT
7525A5	Remove the driver's airbag, check the inflator serial number, and reinstall the original airbag.	0.3
7525A6	Remove the driver's airbag, check the inflator serial number, and REPLACE the airbag inflator.	0.5

Failed Part: P/N 06770-S84-A11ZA

Defect Code: 5US00

Symptom Code: R5500

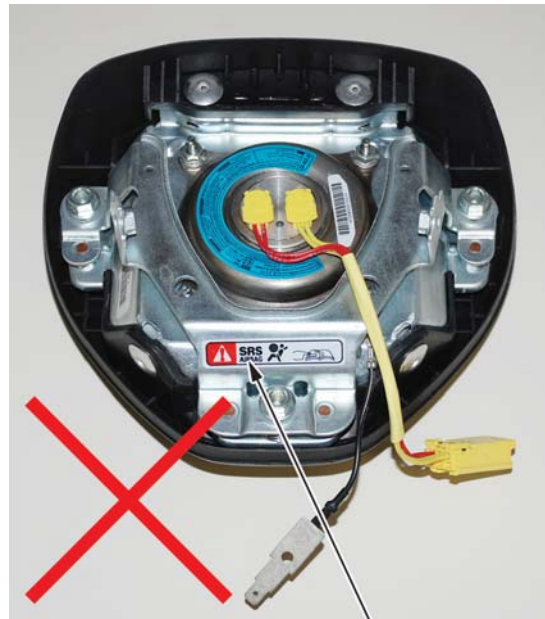
Skill Level: Repair Technician

INSPECTION PROCEDURE

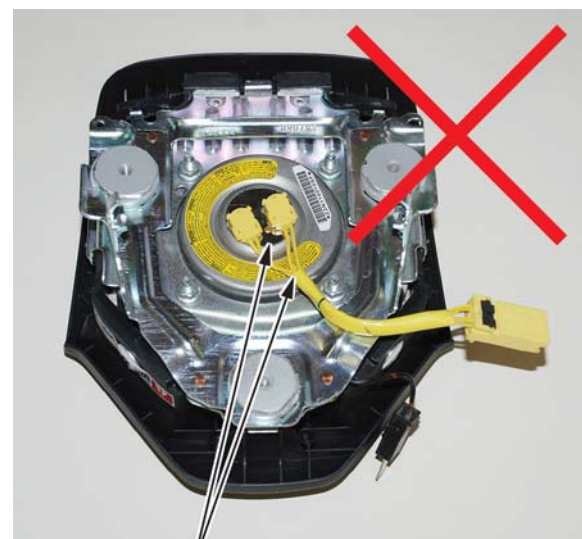
NOTE: If, before removing the airbag, you suspect that it may not be the correct airbag for the vehicle or a counterfeit, **do not remove the airbag**. Contact your DPSM for assistance.

1. Remove the driver's airbag:
 - Refer to page 23-219 of the *1999–2003 3.2TL Service Manual*, or
 - Refer to page 23-204 of the *2001–2003 3.2CL Service Manual*, or
 - Online, enter keywords **DRIVER AIR**, and select **Driver's Airbag Replacement** from the list.

2. Visually inspect the airbag and the inflator for any unusual writing or markings.
 - If there is nothing unusual about the airbag or the inflator, go to step 3.
 - If there is unusual markings, like an incorrect label or a model year written in marker, the airbag and inflator may not be the correct airbag and/or inflator for the vehicle or it may be a counterfeit part. For more information about counterfeit airbags, you can refer to safercar.gov, enter keywords **MANAGING COUNTERFEIT**, and select *Recommended Dealer Guidance for Managing Counterfeit Air Bags* from the list. If you suspect that the airbag or inflator is counterfeit, do not continue this procedure. Contact your DPSM for assistance.



NON-STANDARD SAFETY LABEL

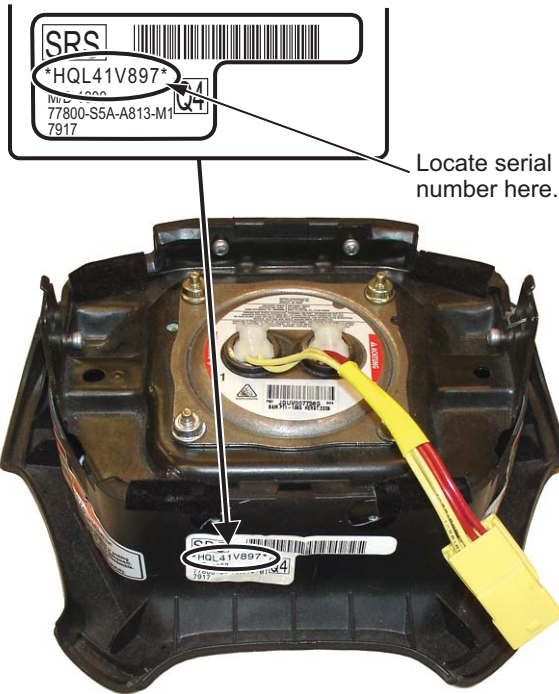


NON-STANDARD WIRES

3. Locate the serial number on the bottom of the airbag. Make sure you also have the VIN, then go to the iN:

- Click on **Service**.
- Click on **Service Bay**.
- Click on **Airbag inflator recall SB 10-026**.
- Enter the VIN and the airbag serial number.

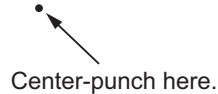
The iN will indicate if the airbag is OK or if the airbag inflator must be replaced. If the airbag is OK, go to REPAIR PROCEDURE A. If the airbag must be replaced, go to REPAIR PROCEDURE B.



REPAIR PROCEDURE A

1. Reinstall the airbag using new Torx bolts, and torque the bolts to **10 N·m (7.0 lb-ft)**.
2. Center-punch a completion mark below the fifth character of the engine compartment VIN:

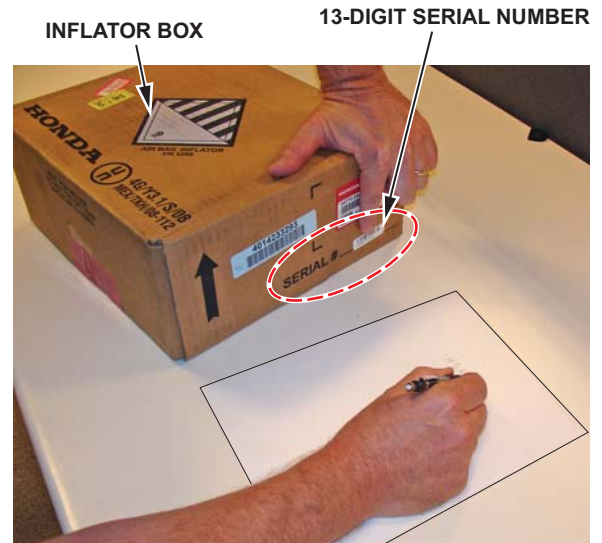
19UXXXXXXXXXXXXXX



REPAIR PROCEDURE B

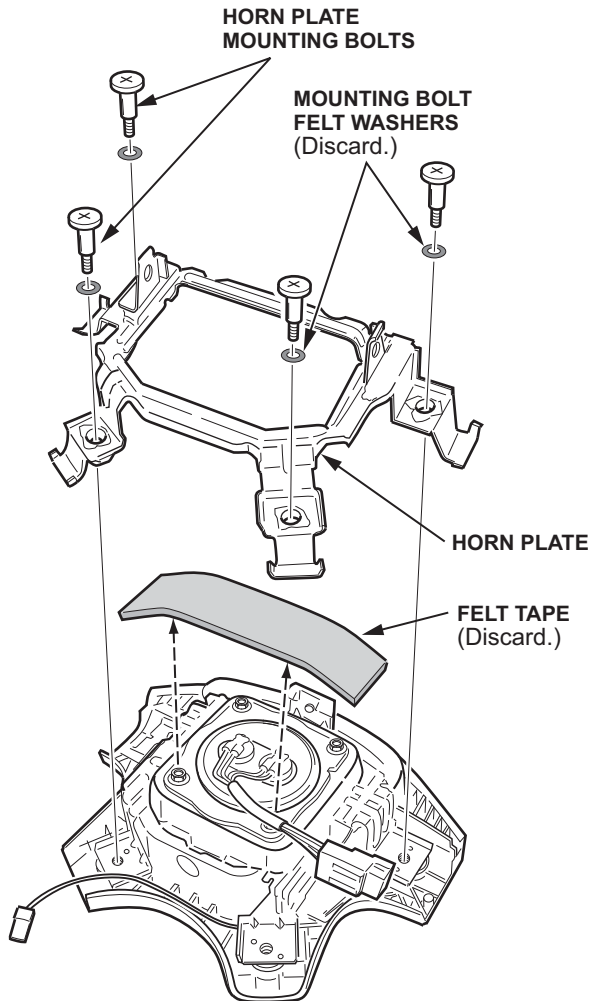
NOTE: Be careful not to damage any parts when replacing the inflator, and follow the procedure exactly.

1. Write down the 13-digit serial number located on the right side of the new airbag inflator's box. For the warranty claim to be paid, your warranty clerk must enter this 13-digit serial number in the **Diagnostic Trouble Codes** field on the warranty claim.



2. Place the airbag, face down, on a clean shop towel.

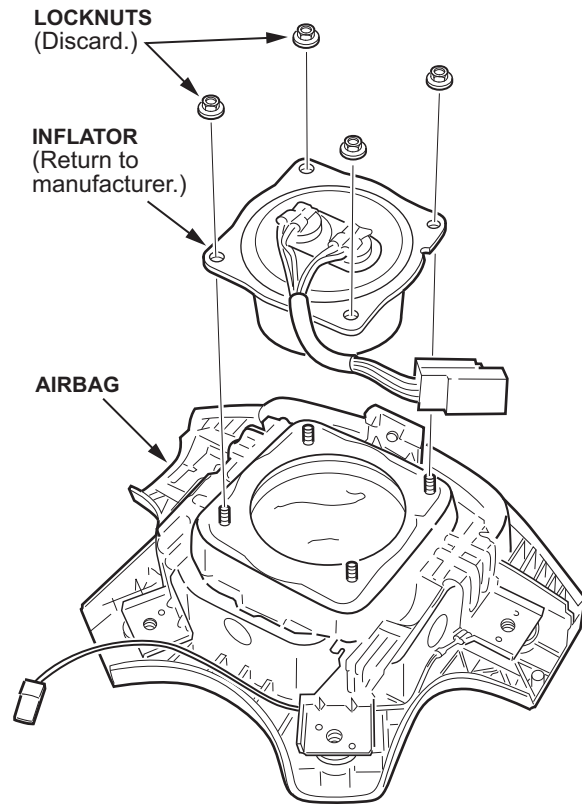
- Remove the four horn plate mounting bolts, the mounting bolt felt washers, and the horn plate. The felt washers will not be reused.



- Remove and discard the felt tape covering the lower two inflator locknuts.

- Using needle-nose Vise Grips, remove the four locknuts from the inflator. The locknuts will not be reused.

NOTE: Do not remove the inflator from the airbag until you complete step 6.



- Use shop air to clean any debris that may be on the inflator, then remove the inflator from the airbag.

NOTE:

- Do not allow any debris to enter the inflator opening.
- Do not deploy the inflator.** The inflator must be returned in the box the new inflator came in (see INFLATOR PACKING AND GROUND SHIPPING INSTRUCTIONS: DEALERS IN THE 48 CONTIGUOUS STATES or INFLATOR PACKING AND AIR SHIPPING INSTRUCTIONS: DEALERS IN ALASKA AND HAWAII).

- Turn over the airbag (inflator side down), and shake it to remove any debris from the inflator opening.

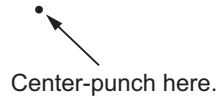
- Install the new inflator in the airbag with new locknuts. Torque the locknuts to **3.9 N·m (2.8 lb-ft, 34 lb-in)**.

NOTE: The new inflator is slightly taller than the original inflator, but they are still interchangeable.

- Cover the lower two inflator locknuts with new felt tape.

10. Reinstall the horn plate with new felt washers on its mounting bolts. Torque the mounting bolts to **3.4 N·m (2.5 lb-ft, 30 lb-in)**, then make sure the horn plate moves freely.
11. Reinstall the driver's airbag using new Torx bolts:
 - Refer to the appropriate service manual, or
 - Online, enter keywords **DRIVER AIR**, and select **Driver's Airbag Replacement** from the list.
12. Center-punch a completion mark below the fifth character of the engine compartment VIN:

19UXXXXXXXXXXXXXX



13. Give your warranty clerk the 13-digit inflator serial number you wrote down in step 1. For the warranty claim to be paid, your warranty clerk must enter the appropriate 13-digit serial number in the **Diagnostic Trouble Codes** field on each warranty claim.

Example of Client Letter No. 1

December 2011

**Safety Recall: Driver's Airbag Inflator -
NHTSA Recall 11V-260**

Dear Acura Owner:

This notice is sent to you in accordance with the requirements of the National Traffic and Motor Vehicle Safety Act.

What is the reason for this notice?

Acura has decided that a defect related to motor vehicle safety exists in certain 2003 model year CL and TL vehicles. In some vehicles, the driver's airbag inflator could produce excessive internal pressure. If an affected airbag deploys, the increased internal pressure may cause the inflator to rupture. Metal fragments could pass through the airbag cushion material possibly causing injury or fatality to vehicle occupants.

What should you do?

Call any authorized Acura dealer and make an appointment to have your vehicle inspected. The dealer will inspect, and if necessary replace the driver's airbag inflator. The inspection process may be completed in approximately 30 minutes; however, your vehicle will need to be at the dealer for a longer period of time. We recommend that you plan to leave your vehicle for half a day to allow the dealer flexibility in scheduling. This work will be done *free of charge*.

Who to contact if you experience problems

If you are not satisfied with the service you receive from your Acura dealer, you may write to:

American Honda Motor Co., Inc.
Acura Client Relations
Mail Stop 500-2N-7E
1919 Torrance Blvd.
Torrance, CA 90501-2746

If you believe that American Honda or the dealer has failed or is unable to remedy the defect in your vehicle, without charge, within a reasonable period of time (60 days from the date you first contact the dealer for a repair appointment), you may submit a complaint to:

Administrator
National Highway Traffic Safety Administration
1200 New Jersey Ave., SE
Washington, DC 20590

Or call the toll-free Safety Hotline at 1-888-327-4236 (TTY 1-800-424-9153), or go to <http://www.safercar.gov>.

Lessor information

Federal law requires that any vehicle lessor receiving this recall notice must forward a copy of this notice to the lessee within 10 days.

If you have questions

If you have any questions about this notice, or need assistance with locating an Acura dealer, please call Acura Client Relations at 1-800-382-2238, and select option 4. You can also locate a dealer online at Acura.com.

We apologize for any inconvenience this campaign may cause you.

Sincerely,

**American Honda Motor Co., Inc.
Acura Automobile Division**

Example of Client Letter No. 2

December 2011

**Safety Recall: Driver's Airbag Inflator -
NHTSA Recall 11V-260**

Dear Acura Owner:

This notice is sent to you in accordance with the requirements of the National Traffic and Motor Vehicle Safety Act.

What is the reason for this notice?

Acura has decided that a defect related to motor vehicle safety exists in certain 2002–2003 model year TL vehicles and 2003 CL vehicles. In some vehicles, the driver's airbag inflator could produce excessive internal pressure. If an affected airbag deploys, the increased internal pressure may cause the inflator to rupture. Metal fragments could pass through the airbag cushion material possibly causing injury or fatality to vehicle occupants.

What should you do?

You **must** have your vehicle's driver's airbag inflator inspected again and, if necessary, replaced; this work will be done free of charge. Even though you previously had the driver's airbag inflator inspected, you must have it inspected again as we have determined that the prior inspection criteria were insufficient and your inflator may, in fact, need to be replaced to avoid the possibility of an over-pressurized deployment. Call any authorized Acura dealer and make an appointment to have your vehicle inspected. The dealer will inspect, and if necessary replace the driver's airbag inflator. The inspection process may be completed in approximately 30 minutes; however, your vehicle will need to be at the dealer for a longer period of time. We recommend that you plan to leave your vehicle for half a day to allow the dealer flexibility in scheduling. We apologize for any inconvenience this may cause, but it is necessary for your safety.

Who to contact if you experience problems

If you are not satisfied with the service you receive from your Acura dealer, you may write to:

American Honda Motor Co., Inc.
Acura Client Relations
Mail Stop 500-2N-7E
1919 Torrance Blvd.
Torrance, CA 90501-2746

If you believe that American Honda or the dealer has failed or is unable to remedy the defect in your vehicle, without charge, within a reasonable period of time (60 days from the date you first contact the dealer for a repair appointment), you may submit a complaint to:

Administrator
National Highway Traffic Safety Administration
1200 New Jersey Ave., SE
Washington, DC 20590

Or call the toll-free Safety Hotline at 1-888-327-4236 (TTY 1-800-424-9153), or go to <http://www.safercar.gov>.

Lesser information

Federal law requires that any vehicle lessor receiving this recall notice must forward a copy of this notice to the lessee within 10 days.

If you have questions

If you have any questions about this notice, or need assistance with locating an Acura dealer, please call Acura Client Relations at 1-800-382-2238, and select option 4. You can also locate a dealer online at Acura.com.

We apologize for any inconvenience this campaign may cause you.

Sincerely,

American Honda Motor Co., Inc.
Acura Automobile Division