

HDMS Cool Logic Fan Drive VAH, VHD, VN

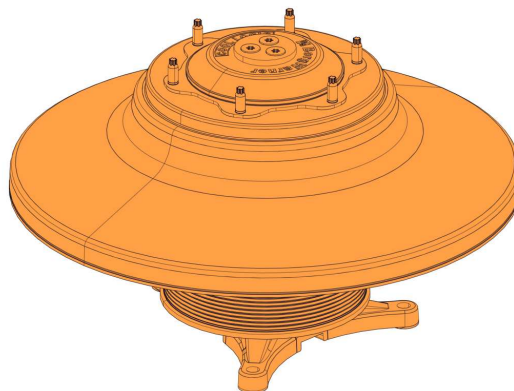
FSB 263-039 HDMS Cool Logic Fan Drive

(February 2014)

Vehicles built before January 6, 2014 equipped with the HDMS Cool Logic engine cooling fan drive may experience a fluid leak from the rear of the drive. Due to this leakage the HDMS fan drives have been redesigned in conjunction with improvements to the manufacturing process to improve sealing and overall durability of the drive.

The new parts are available in the PDC and have been implemented into production. These new parts should be used to replace the previous units on a fix as fail basis.

Refer to service information in Function Group 26 for fan drive replacement. Refer to the table below for the affected part numbers.



W2086676

Service personnel: Please circulate, read and initial

Service Manager	Warranty Administrator	Workshop Foreman	Service Technicians						

Description	Old Part Number	New Part Number
Fan Clutch	21925081	22208767
	21925083	22208772
	21925085	22208777
	21925087	22208779
	21925089	22208781
	21925093	22208785
	21925095	22208787
	21925097	22208787