

Climate Unit Reduction
 VN, VHD, VAH, VT

FSB 874-053, Climate Unit Noise Reduction

(May 2013)

To address concerns of a whistling noise coming from the main climate unit, when the fan speed is set to the second position, follow the procedure outlined in this document.

Required Parts

1 – Permatex Black Silicone Adhesive Sealant

VOLVO recommends using Permatex Black Silicone Adhesive Sealant (part number 81173, 12.9 oz cartridge, 81158 3 oz tube) for sealing Please visit www.permatex.com for retailers, MSDS information and Technical Data Sheet.

Note: Information is subject to change without notice.
 Illustrations are used for reference only and can differ slightly from the actual vehicle being serviced. However, key components addressed in this information are represented as accurately as possible.

Service personnel: Please circulate, read and initial

Service Manager	Warranty Administrator	Workshop Foreman	Service Technicians						

Procedure

You must read and understand the precautions and guidelines in Service Information, Function Group 8, "General Safety Practices, Cab" before performing this procedure. If you are not properly trained and certified in this procedure, ask your supervisor for training before you perform it.



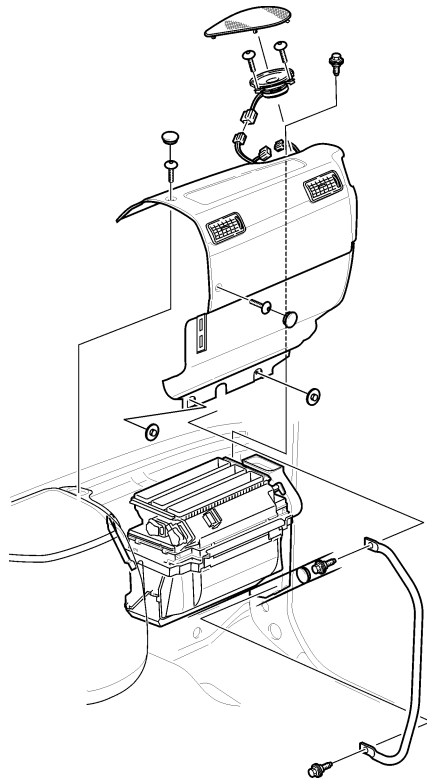
DANGER

Do not attempt to repair or service a vehicle without the proper training, tools and service information. Failure to do so may result in component damage, serious injury or death.

- 1 Secure the vehicle for service by parking it on a flat level surface, applying the parking brake, chocking the rear wheel, and placing the transmission in neutral.
- 2 Disconnect all cables from the negative (ground) battery terminals to prevent personal injury from electrical shock and prevent damage to electrical components.
- 3 To avoid damage, cover the dash panel area.
- 4 Remove the center tray/cup holder.

Note: Remove the fastener located under the cup holder.

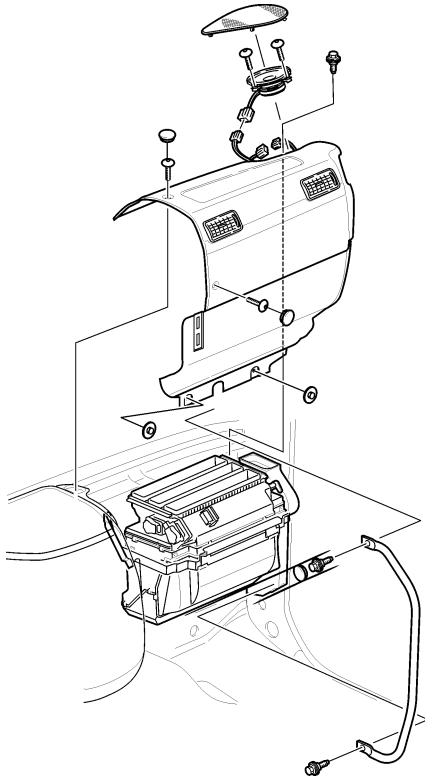
- 5 Remove the cover over the fastener securing the grab handle. Remove the grab handle.



T8009794

- 6 Remove the covering over the right side dash speaker. Unplug and remove the speaker.

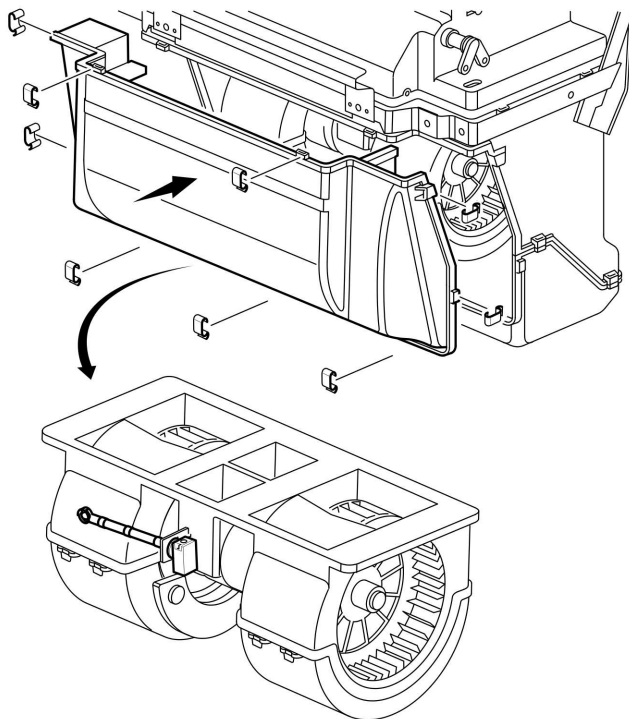
- 7 Remove the upper dash panel fastener.



T8009794

- 8 Remove the door threshold plate.
9 To access the right dash panel, remove the floor covering.
10 Remove the lower fasteners securing the dash panel.
11 Remove the right side dash panel.

12 Remove the clips securing the HVAC blower motor cover.

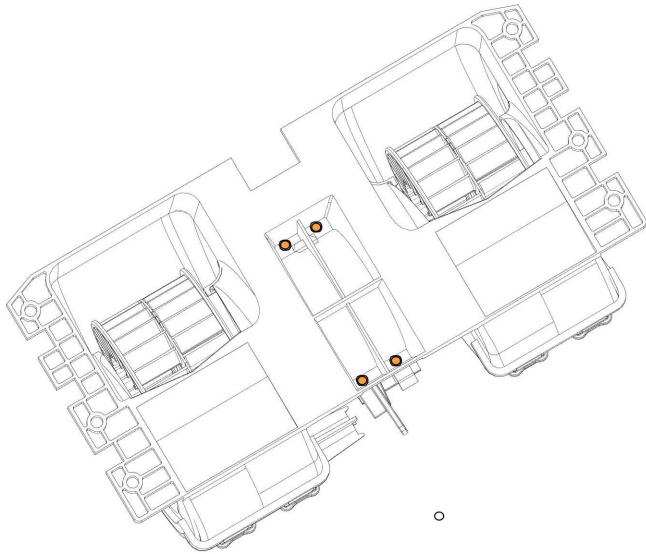


W8081178

13 Pull the HVAC blower motor from the housing.

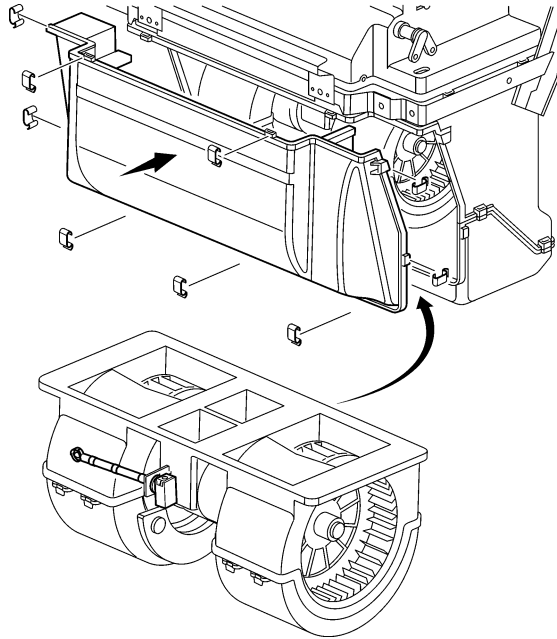
Note: Do not disconnect the blower motor.

14 Apply a liberal amount of Permatex Black Silicone Adhesive Sealant to seal the highlighted holes in the blower motor housing.



W8080541

15 Install the blower motor into the HVAC housing.

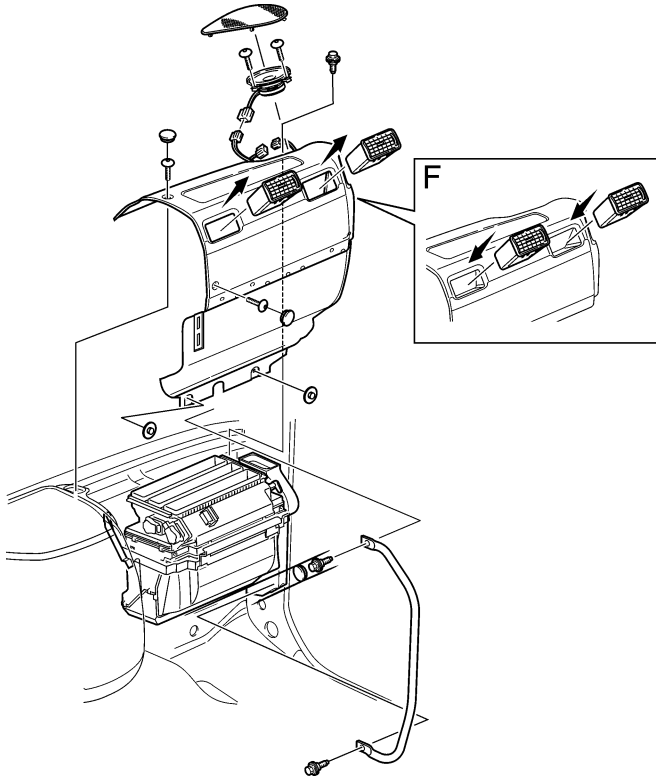


T8008791

16 Using clips Install the HVAC blower motor housing cover.

17 Carefully remove the ventilation nozzles (F) from the dash panel.

18 Install the dash panel over the HVAC housing. Tighten fasteners until secure.



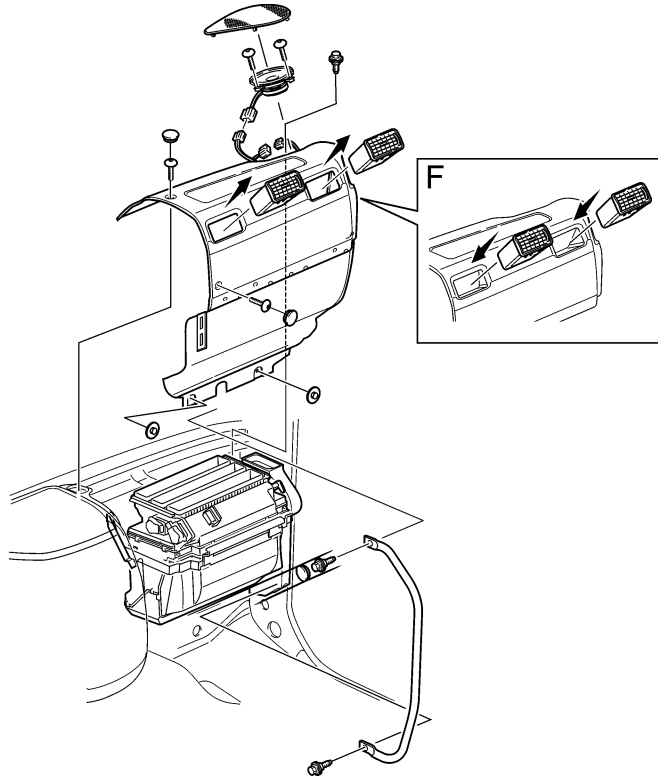
T8009795

19 Install the ventilation nozzles (F).

20 Reconnect the speaker.

21 Install the speaker and grille.

22 Reinstall the grab handle. Torque the fasteners to 24 ± 4 Nm (18 ± 3 ft-lb).



T8009795

23 Install the center tray and cup holder.

24 Remove the protective cover from the dash panel.

25 Install the threshold plate. Install the threshold plate fastener covers.

26 Reconnect all previously removed cables to the negative (ground) and positive battery terminals.

Reimbursement

This repair may be eligible for reimbursement if a product failure was experienced within time and mileage limits of the applicable Warranty coverage. Reimbursement is obtained via the normal claim handling process.	
Claim Type (used only when uploading from the Dealer Bus. Sys.)	W
Labor Code	
Primary Labor Code	87458-2-00 0.7 hrs.
Causal Part	21029787

VOLVO Trucks North America engages in a continuous program of testing and evaluating to provide the best possible product. VOLVO Trucks North America, however, is not committed to, or liable for updating existing chassis.