

This Field Service Bulletin replaces bulletin, "FSB 899-001, Rust Prevention, Installation", dated 03.2013.

Rust Prevention, Installation
 VN, VHD, VAH, VT

FSB 899-001, Rust Prevention, Installation

(May 2013)

This document provides the recommended procedure for applying wax to a VOLVO service door using an aerosol dispenser. Apply wax only after a service door has been painted and the paint has fully cured.

Required Parts

Doors – Rust Prevention	
Door P/Ns 85104984 and 85104985	Door P/Ns 85136594 and 85136595
Plug, Door Drain (82731293) – 5 plugs per door	Wax, Aerosol Spray (85135447) – 1 can per two doors
Wax, Aerosol Spray (85135447) – 1 can per two doors	

Note: Information is subject to change without notice. Illustrations are used for reference only and may differ slightly from the actual vehicle being serviced. However, key components addressed in this information are represented as accurately as possible.

Service personnel: Please circulate, read and initial

Service Manager	Warranty Administrator	Workshop Foreman	Service Technicians						

Procedure

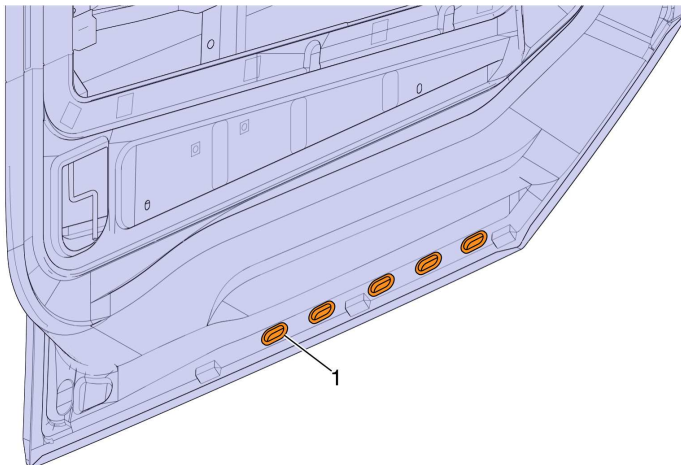
You must read and understand the precautions and guidelines in Service Information, Function Group 80, "General Safety Practices, Cab" before performing this procedure. If you are not properly trained and certified in this procedure, ask your supervisor for training before you perform it.



CAUTION

To avoid component damage, ensure that the windows are in the up position before starting this procedure.

- 1 Secure the vehicle for service by parking it on a flat level surface, applying the parking brake, chocking the rear wheel, and placing the transmission in neutral.
- 2 Disconnect all cables from the negative (ground) battery terminals to prevent personal injury from electrical shock and prevent damage to electrical components.
- 3 If applicable, install the door drain plugs (1) in the openings on the bottom of the door, ensuring proper seating.



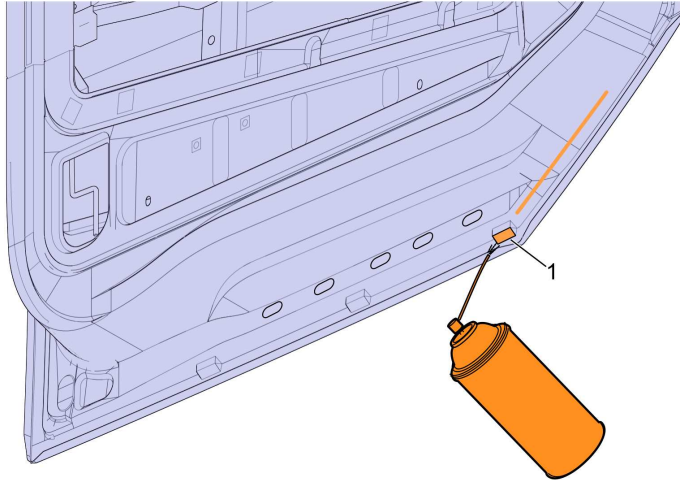
W8078462

1 – Door Drain Plug

- 4 Using an aerosol can, spray a liberal amount of cavity wax into the front and rear drain holes (1). In order to get full coverage in the door seam, spray at an upward angle, parallel to the edge of the door.

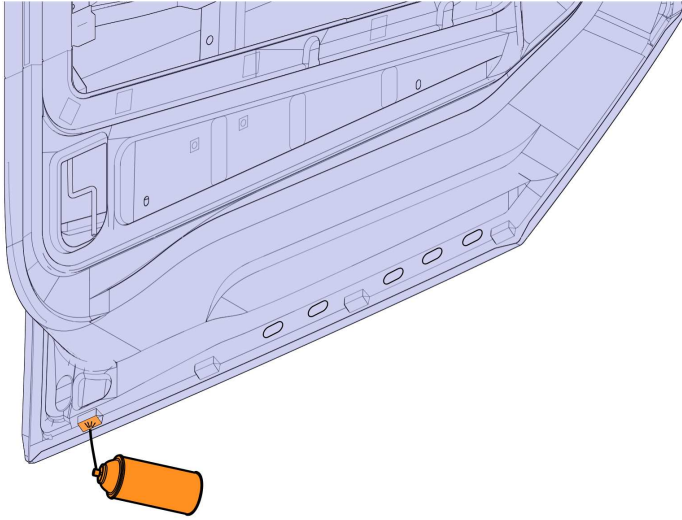
Note: In order to avoid a lack of coverage, it is important that only the tip of the straw is placed into the opening of the drain hole.

Note: To promote even flow and application of the cavity wax, shake the can regularly.



W8078953

1 – Front Drain Hole

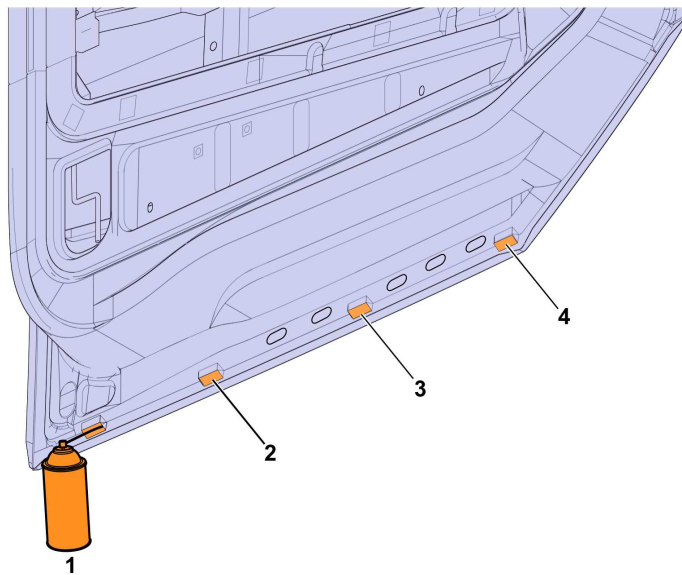


W8078954

Rear Drain Hole

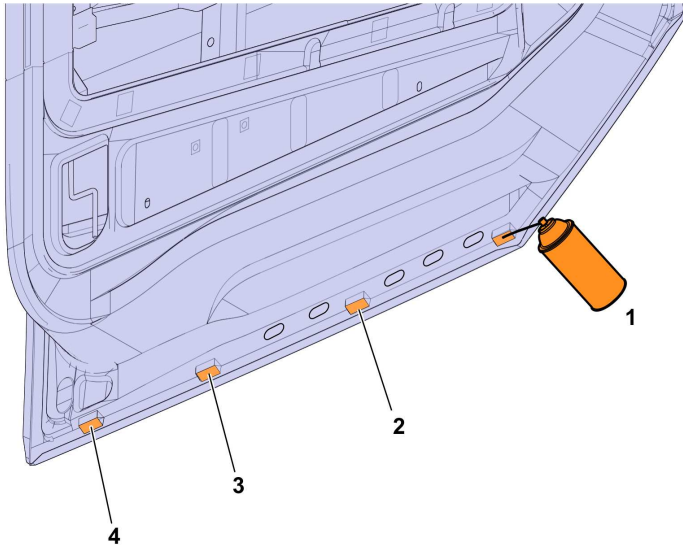
- 5 In order to get full coverage along the bottom door seam, spray cavity wax at a horizontal angle in the bottom drain holes. While applying the cavity wax, spray for five to fifteen seconds until the wax seeps from the next adjoining drain hole. Normally, wax should seep from the next drain hole within this time period.

Note: For even coverage, spray in the bottom drain holes from both directions, front and rear.



W8079487

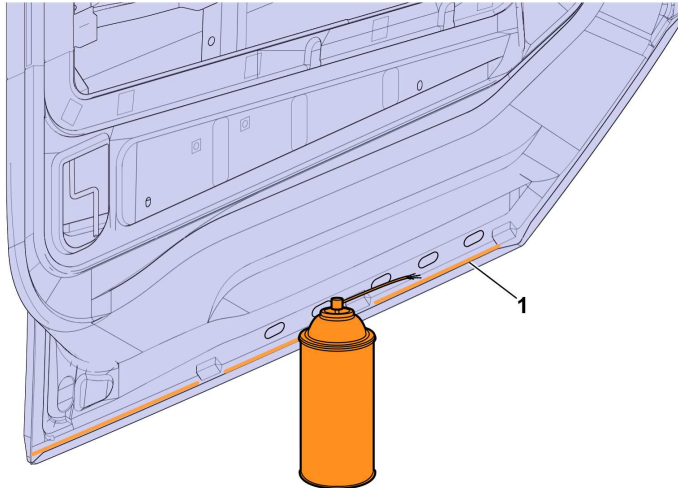
Drain Well Spray Sequence from Front to Rear of Door



W8079488

Drain Well Spray Sequence from Rear to Front of Door

- 6 Spray a light coat of cavity wax on the cut edge of the door skin crimp (1). Lightly wipe any excess cavity wax from the door skin crimp and drain holes.



W8079489

1 – Door Skin Crimp Edge

- 7 Connect all previously removed cables to the negative (ground) battery terminals. Tighten to 20 ± 2 Nm (15 ± 1.5 ft-lb). Install the battery box cover.

Reimbursement

This repair may be eligible for reimbursement if a product failure was experienced within time and mileage limits of the applicable Warranty coverage. Reimbursement is obtained via the normal claim handling process.	
Claim Type (used only when uploading from the Dealer Bus. Sys.)	W
Labor Code	
Primary Labor Code	89901-2-00 — 0.4 hrs.
Causal Part	85104984 (Left Hand), 85104985 (Right Hand)

Volvo Trucks North America engages in a continuous program of testing and evaluating to provide the best possible product. Volvo Trucks North America, however, is not committed to, or liable for updating existing chassis.