

Single Fuel Tank Ventilation Filter Kit
VAH, VHD, VN, VT**FSB 234-018, Single Fuel Tank Ventilation Filter Kit****(June 2014)**

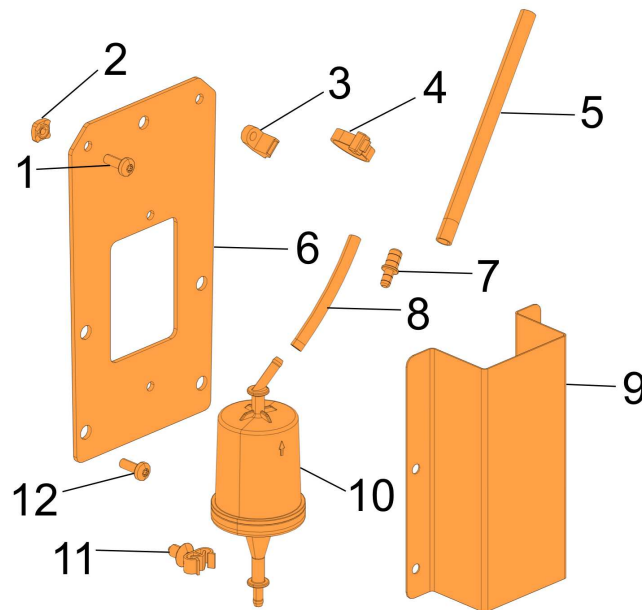
VOLVO Trucks North America has introduced a new fuel tank ventilation filter mounting bracket (part number 22370512) that mounts on the outside of the frame rail using the fuel tank J bracket retainers. The fuel tank vent filter has been implemented for increased protection against fuel injector tip erosion. This new bracket offers simplified servicing of the filter due to the location.

Bracket 22370512 should be used in place of the mounting bracket and hardware in kit 85136403 to mount the filter on the outside of the frame rail next to the fuel tank.

Note: To ensure the effectiveness of the fuel tank ventilation filter system, the fuel tank ventilation filter must be changed at the same interval as the engine air filter.

Required Parts

Note: Due to various tank and deck plate configurations, some routing and clipping hardware may not be used.



W2081796

- | | |
|--------------------------------------|--------------------------------------|
| 1. Bracket Fastener (2) (not needed) | 7. Hose Adapter |
| 2. Lock Nut (2) (not needed) | 8. Extension Hose |
| 3. Tie Strap Retainer (not needed) | 9. Shield (not needed) |
| 4. Tie Strap | 10. Filter Housing |
| 5. Existing Fuel Tank Vent Hose | 11. Filter Housing Retainers |
| 6. Bracket (not needed) | 12. Shield Fastener (4) (not needed) |

Procedure

You must read and understand the precautions and guidelines in Service Information, Function Group 20, "Engine Safety Practices" before performing this procedure. If you are not properly trained and certified in this procedure, ask your supervisor for training before you perform it.



DANGER

Do not attempt to repair or service this vehicle without having sufficient training, the correct service literature and the proper tools. Failure to follow this could make the vehicle unsafe and lead to serious personal injury or death.

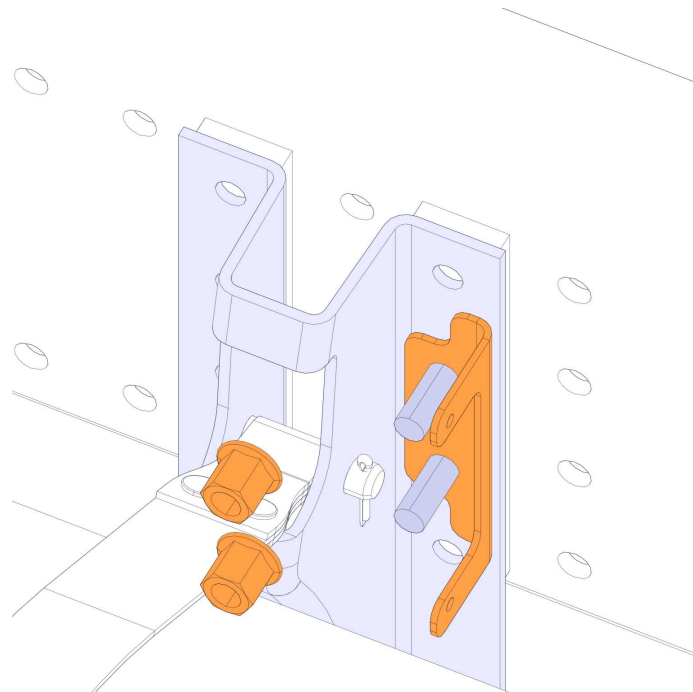


CAUTION

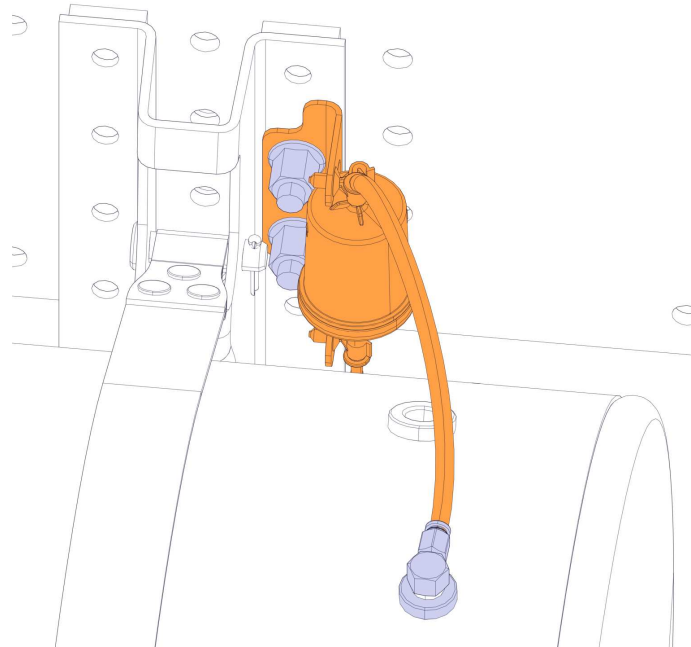
Possible damage to electronic components. Turn the vehicle ignition switch OFF before disconnecting or connecting any electronic components. Failure to de-energize circuits may result in permanent damage to electronic components.

Note: Use standard torque values for all fasteners.

- 1 Disconnect all cables from the negative (ground) battery terminals to prevent personal injury from electrical shock and prevent damage to electrical components.
- 2 Remove components as necessary to access fuel tank J bracket.
- 3 With assistance, remove the fasteners from the J bracket. Position the mounting bracket (part number 22370512) on the J bracket. With assistance, secure the J bracket fasteners.



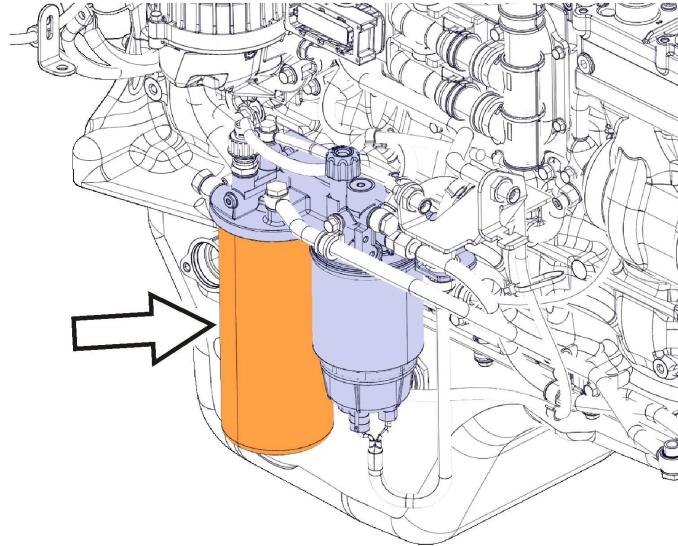
- 4 Install the filter on the mounting bracket.



W2091097

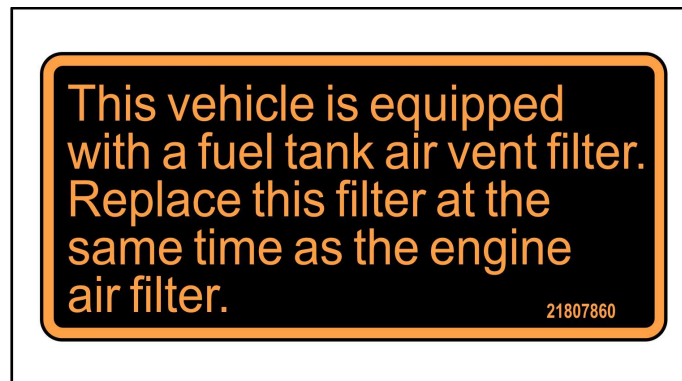
- 5 Install the hose adapter in the end of the existing fuel tank vent hose. Cut the appropriate length of extension hose. Connect extension hose to adapter and fuel vent filter. Install tie strap in tie strap retainer and secure extension hose with tie strap
- 6 Cut approximately 10 cm (4 in) of hose and connect to bottom of fuel vent filter housing.
- 7 Install components removed to access fuel tank J bracket.

- 8 Install replacement engine fuel filter, part number 15126069.



W2069497

- 9 Identify a suitable location on the air filter housing and install the fuel tank ventilation filter label (21807860).



W2081800

- 10 Reconnect all previously removed cables to the negative (ground) battery terminals and remove wheel chocks.

Reimbursement

This repair may be eligible for reimbursement if a product failure was experienced within time and mileage limits of the applicable Warranty coverage. Reimbursement is obtained via the normal claim handling process.	Reimbursement UCHP	Reimbursement eWarranty
Claim Type (used only when uploading from the Dealer Bus. Sys.)	W	W
Labor Code		
Primary Labor Code		
Non-integrated Fuel Tank	2341-03-09-01 — 0.3 hrs.	23414-0-01 — 0.3 hrs.
Integrated DEF and Fuel Tank	2341-03-09-01 — 0.6 hrs.	23414-0-02 — 0.6 hrs.
Causal Part	20560284	20560284

VOLVO Trucks North America reserves the right to make any changes in design or to make additions to or upon its products without incurring any obligations to install the same on vehicles previously built.