

Aftertreatment DEF Tank Vent Filter
VAH, VHD, VN

FSB 258-035, Aftertreatment Diesel Exhaust Fluid (DEF) Tank Vent Filter

(March 2015)

VOLVO Trucks has introduced a DEF tank vent filter kit designed for use in harsh, abrasive and dirty environments. This filter should be replaced when the vehicle air filter is replaced, minimum every 12 months.

Required Parts

DEF tank vent filter kit number 85144425 contains the following parts.

- Vent Filter with Mounting Bracket (1)
- Vent Line Routing Bracket (1)
- Plastic Push Mount (1)
- Hex-Head Screw (2)
- Cable Tie (2)
- Vent Grommet (1)
- Vent Line P-clamp (1)

Procedure

You must read and understand the precautions and guidelines in Service Information, Function Group 20, "Engine Safety Practices" before performing this procedure. If you are not properly trained and certified in this procedure, ask your supervisor for training before you perform it.

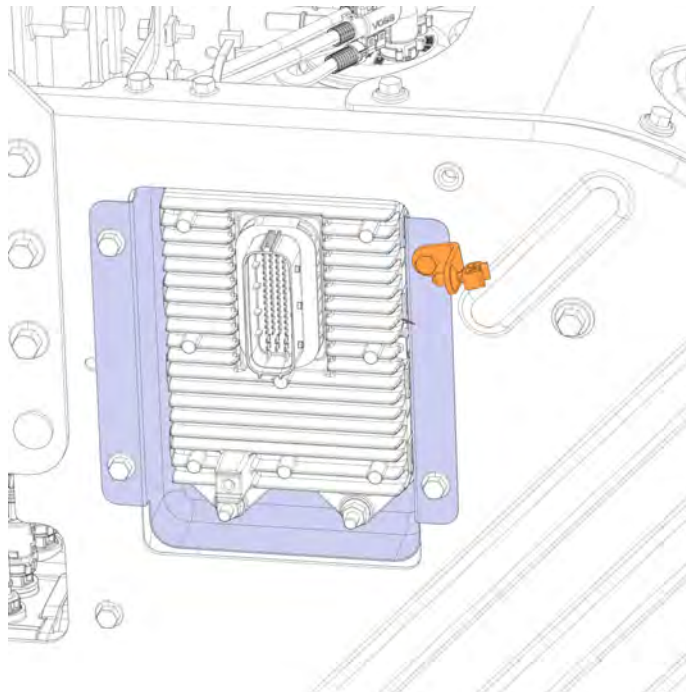
DANGER

Do not attempt to repair or service this vehicle without having sufficient training, the correct service literature and the proper tools. Failure to follow this could make the vehicle unsafe and lead to serious personal injury or death.

Note: Information is subject to change without notice. Illustrations are used for reference only, and may differ slightly from the actual vehicle being serviced. However, key components addressed in this information are represented as accurately as possible.

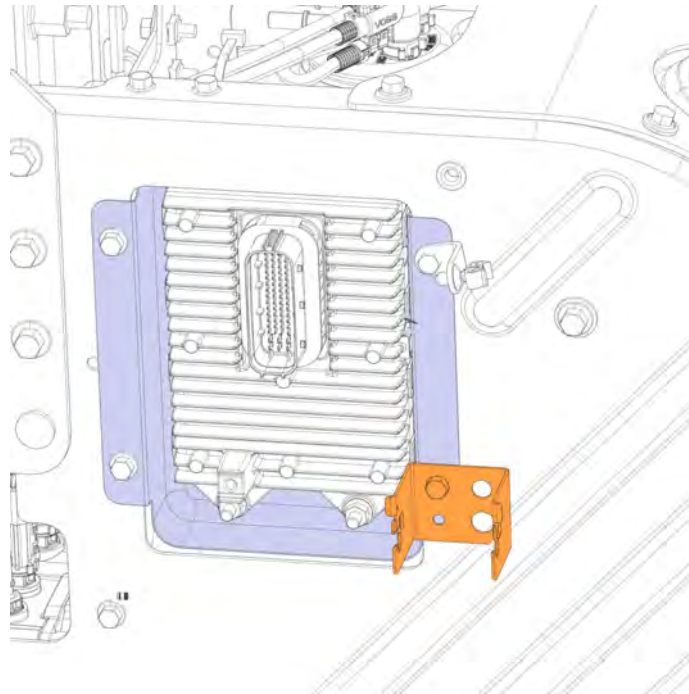
Note: Use standard torque values for all fasteners.

- 1 Disconnect all cables from the negative (ground) battery terminals to prevent personal injury from electrical shock and prevent damage to electrical components.
- 2 If necessary, remove the P-clamp securing the existing DEF tank vent line.
- 3 Carefully pull the existing vent line up. Hold the tank end of the vent line to prevent line from coming loose from connection at the tank.
- 4 Clean any dirt or debris from around the vent line port. Install the grommet on the vent line.
- 5 If possible, use the hex-head screw to install the vent line routing bracket on the forward side of the DEF tank next to the aftertreatment control module (ACM). Install the plastic push mount in the bracket.



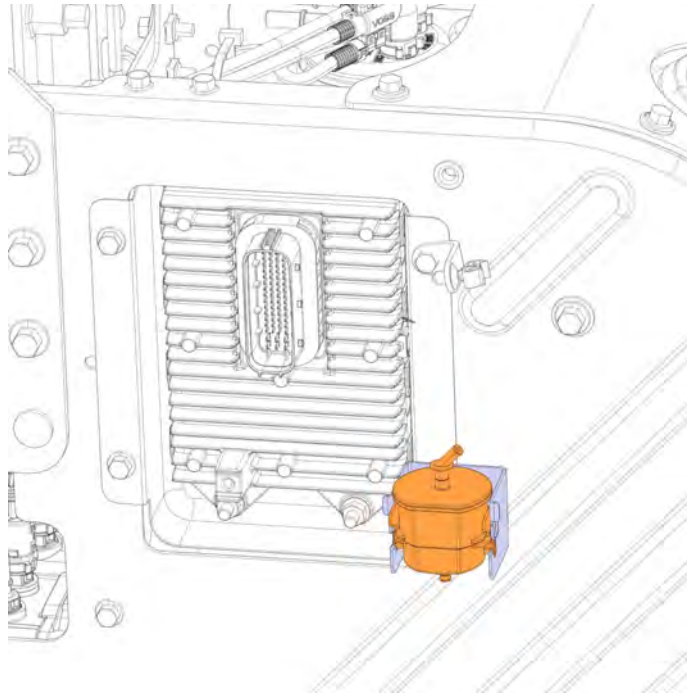
- 6 Use the lower screw next to the ACM to install the DEF tank vent filter mounting bracket.

Note: If there is not enough clearance to mount the filter on the DEF tank, use a fastener on the frame rail near the DEF tank to mount the filter bracket. Use the appropriate hole in the bracket for the fastener used.



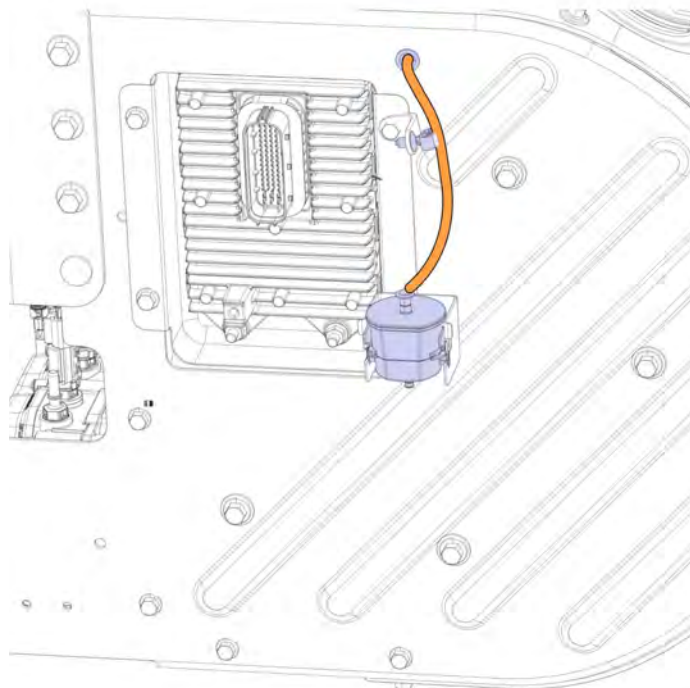
W2092631

7 Install the filter in the bracket.



W2092632

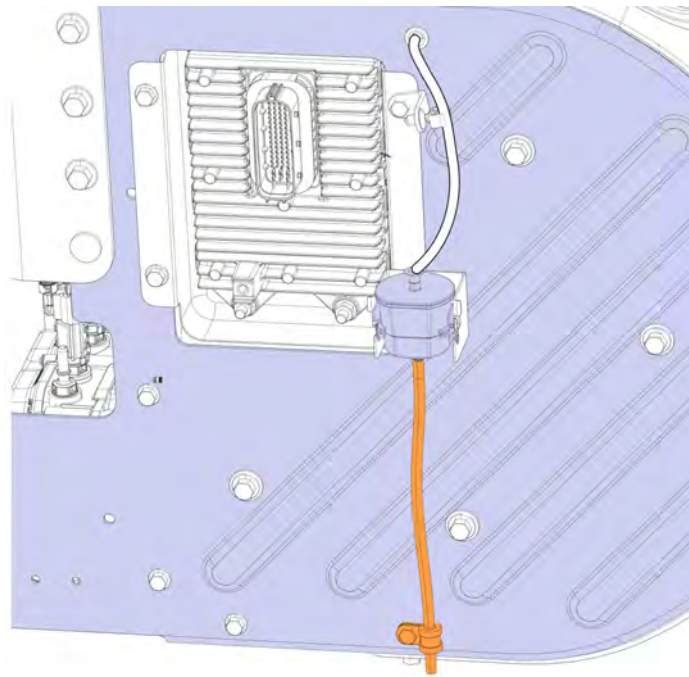
- 8 Pull the existing vent line through the hole in the DEF tank bracket and make sure the grommet in the hole is secure. Route the line through the plastic push mount (if used) and down to the filter. Cut the line to the correct length and connect the line to the top of the filter.



W2092634

- 9 Connect an approximately 45 cm (18 in) line to the bottom of the filter. Use the P-clamp to secure the lower section of the line.

Note: If additional line is needed, order part number 980832.



W2092633

- 10 Reconnect all previously removed cables to the negative (ground) battery terminals.

Reimbursement

This repair may be eligible for reimbursement if a product failure was experienced within time and mileage limits of the applicable Warranty coverage. Reimbursement is obtained via the normal claim handling process.	UHP Reimbursement	eWarranty Reimbursement
Claim Type (used only when uploading from the Dealer Bus. Sys.)	W	W
Labor Code		
Primary Labor Code	2589-03-09-01 — 0.3 hrs.	25816-2-00 — 0.3 hrs.
Causal Part	21577507	21577507

Volvo Trucks North America reserves the right to make any changes in design or to make additions to or upon its products without incurring any obligations to install the same on vehicles previously built.