



# Technical Bulletin

Model(s)	Year	Eng. Code	Trans. Code	VIN Range From	VIN Range To
Jetta	2013-2016	1.4T (CNLA)	All	All	All
Jetta	2016	1.4T (CZTA)	All	AJ_GM000001	AJ_GM252180

## Condition

19 16 03 October 25, 2016 2045451

### Coolant Temperature Light On with Coolant Leak

Customer states the coolant temperature light is on and/or there is a coolant leak from the engine area.

## Technical Background

The coolant pipe (Figure 1 number 10) can rub on the air filter housing. This can damage the coolant pipe, causing a coolant leak.

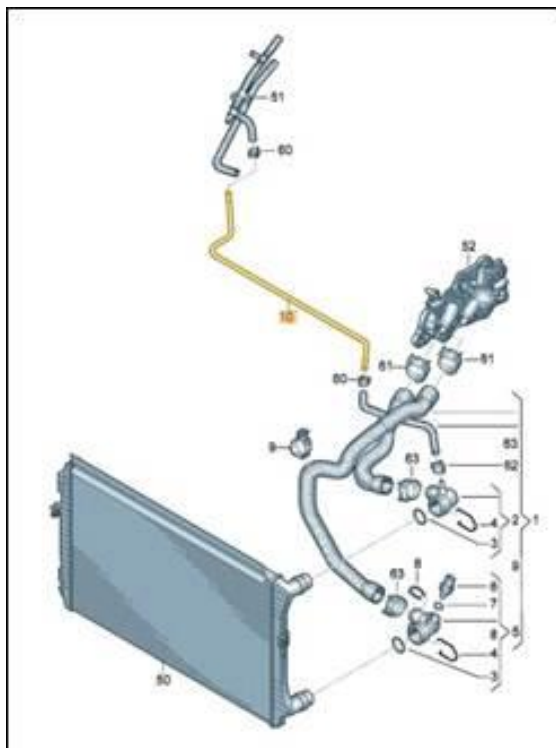


Figure 1) example coolant pipe



# Technical Bulletin

---

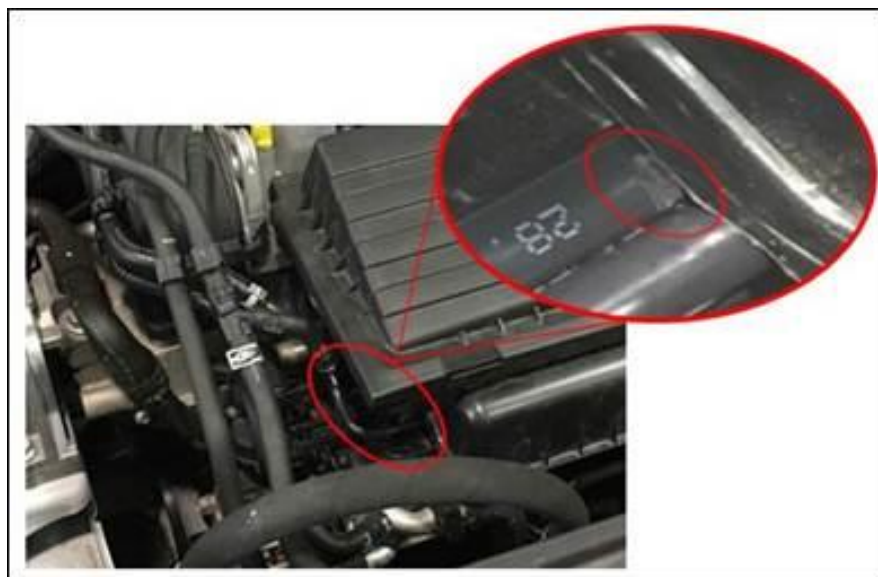
## Production Solution

Improved air filter housing starting with VIN GM252180 (calendar week 41/ 2015).

## Service

**Check the coolant pipe for damage and (if necessary) replace it.**

- Check whether the coolant pipe is touching the air filter housing and is damaged/leaking (Figure 2).



**Figure 2) contact area of coolant pipe on air filter housing**



# Technical Bulletin

---

If the coolant pipe is damaged/leaking:

- Replace the coolant pipe (Figure 3) with part number 04E 121 064 S. See Repair Manual Group 19 in Elsa.

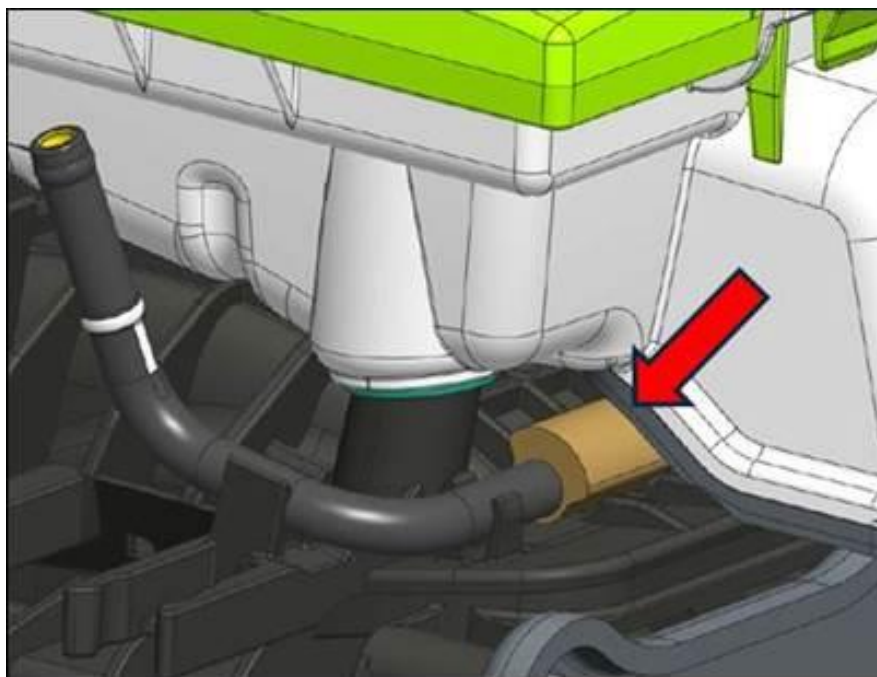


Figure 3) Improved coolant pipe with insulation



# Technical Bulletin

## Warranty

<b>To determine if this procedure is covered under Warranty, always refer to the Warranty Policies and Procedures Manual <sup>1)</sup></b>					
Model(s)	Year(s)	Eng. Code(s)	Trans. Code(s)	VIN Range From	VIN Range To
Jetta	2013-2016	1.4L (CNLA)	All	All	All
Jetta	2016	1.4L (CZTA)	All	AJ_GM000001	AJ_GM252180
<b>SAGA Coding</b>					
<b>Claim Type:</b>	<b>Use applicable Claim Type <sup>1)</sup></b>				
<b>Service Number:</b>	<b>Damage Code</b>	<b>HST</b>		<b>Damage Location (Depends on Service No.)</b>	
1961	0050	--		Use applicable when indicated in Elsa (L/R)	
<b>Parts Manufacturer</b>	<b>Jetta</b>			<b>WVO <sup>2)</sup></b>	
<b>Labor Operation <sup>3)</sup> : Remove and Install Air Cleaner (CNLA Hybrid)</b>			24251903 = 30 TU		
<b>Labor Operation <sup>3)</sup> : Remove and Install Air Cleaner (CZTA)</b>			24251915 = 30 TU		
<b>Labor Operation <sup>3)</sup> : Noise Dampening Pan</b>			10821900 = 30		
<b>Labor Operation <sup>3)</sup> : Coolant Drain and Fill</b>			19381750 = 50 TU		
<b>Labor Operation <sup>3)</sup> : Replace Coolant Pipe</b>			19615599 = 30 TU		
<b>Causal Part: Coolant Pipe</b>			04E 121 064 S		
<b>Diagnostic Time <sup>4)</sup></b>					



# Technical Bulletin

GFF Time expenditure	01500000 = Actual GFF print out	NO
Road Test	01210002 = 00 TU 01210004 = 00 TU	NO
Technical Diagnosis	01320000 = 10 TU max.	YES
Claim Comment: Input "As per Technical Bulletin 2045451" in comment section of Warranty Claim.		
<p>1) Vehicle may be outside any Warranty in which case this Technical Bulletin is informational only</p> <p>2) Code per warranty vendor code policy.</p> <p>3) Labor Time Units (TUs) are subject to change with ELSA updates.</p> <p>4) Documentation required per Warranty Policies and Procedures Manual.</p>		

## Required Parts and Tools

Part No:	Part Description	Quantity
04E 121 064 S	Coolant Pipe (with insulation hose)	1
Use G13 (G 013A8J1G) for parts ordering <b>Use G 013A8JS0 for warranty claiming purposes</b>	Coolant	1 gallon max. <b>Warranty claiming purposes 10 units max.</b>

Tool Description	Tool No:
Midtronics Battery Tester/Charger	InCharge 940 (INC-940) or GRX3000VAS
VAS Diagnostic Tool	VAS 6150/X & VAS 6160/X and ODIS Service with: current online updates



# Technical Bulletin

---

## Additional Information

All part and service references provided in this Technical Bulletin are subject to change and/or removal. Always check with your Parts Dept. and Repair Manuals for the latest information.

Document Control Revision Table			
Instance Number	Published Date	Version Number	Reason For Update
2045451/1	10/25/16	V191603	Original publication.