



Service Bulletin

PRELIMINARY INFORMATION

Subject: Rear Air Suspension Compressor Service Part Change Information

Models: 2003-2005 Hummer H2

This PI was superseded to update Recommendation/Instructions. Please discard PIT3137B.

The following diagnosis might be helpful if the vehicle exhibits the symptom(s) described in this PI.

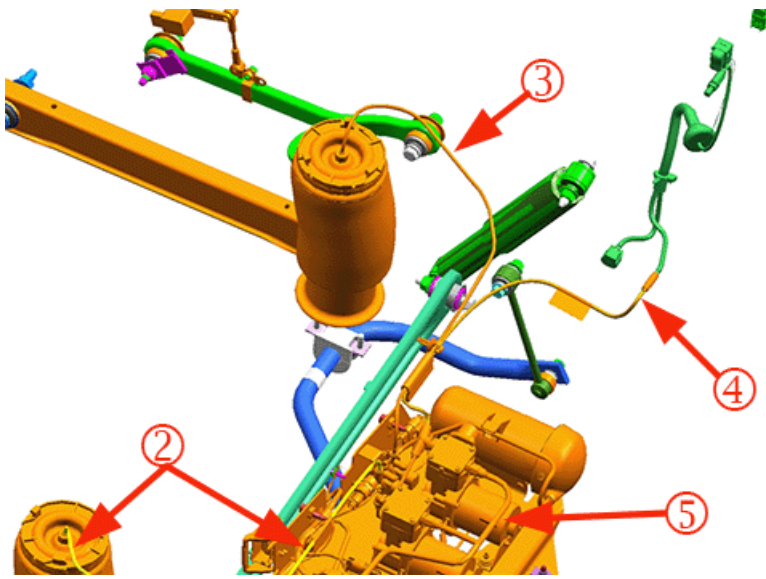
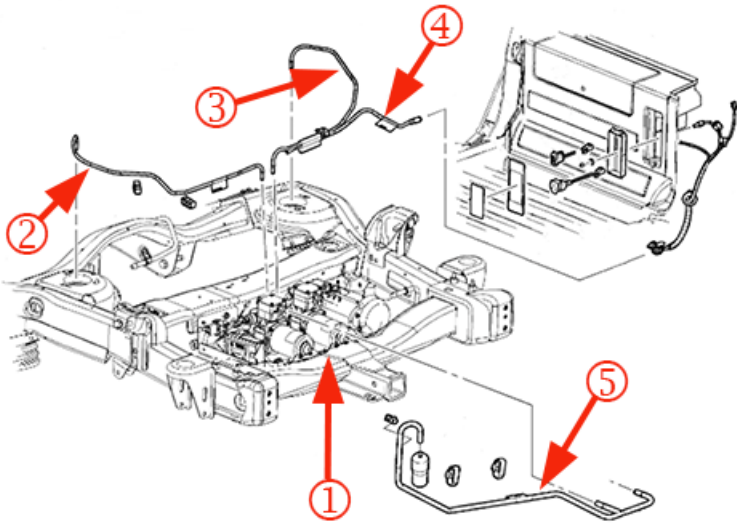
Condition/Concern

The Hummer H2 from 2003 to mid year 2005 was equipped with a single stage rear air suspension compressor. If the rear air suspension compressor needs to be replaced for whatever reason, the single stage compressor is no longer available. The replacement compressor will be a dual stage compressor, which is used on the later H2 models. The Service Parts Catalog will direct you to order the new dual stage compressor, inflator pipe, intake and exhaust pipe assembly.

Recommendation/Instructions

The following are a couple helpful hints when replacing a single stage rear air suspension compressor with a dual stage rear air suspension compressor:

- Do NOT SPS program the replacement module that comes with the new dual stage compressor? The new module comes preprogrammed and a trim height calibration is the only thing needed after replacement. The trim height calibration can be found in the Tech 2 scan tool under Chassis / Air Suspension / Special Functions.
Note: If the dual stage air compressor control module is SPS programmed the following DTC's C0660 and/or C0712 may set and the only repair is to replace the module.
- The below pictures will help aid in the installation of the air lines.
 1. Compressor assembly
 2. Left air bag line connects to left inlet valve
 3. Right air bag line connects to right inlet valve
 4. Inflator line connects to "T" fitting on right compressor
 5. Compressor intake line



Please follow this diagnostic or repair process thoroughly and complete each step. If the condition exhibited is resolved without completing every step, the remaining steps do not need to be performed.

GM bulletins are intended for use by professional technicians, NOT a "do-it-yourselfer". They are written to inform these technicians of conditions that may occur on some vehicles, or to provide information that could assist in the proper service of a vehicle. Properly trained technicians have the equipment, tools, safety instructions, and know-how to do a job properly and safely. If a condition is described, DO NOT assume that the bulletin applies to your vehicle, or that your vehicle will have that condition. See your GM dealer for information on whether your vehicle may benefit from the information.

