



# SERVICE BULLETIN

Classification: BT17-012	Reference: NTB17-126	Date: December 14, 2017
-----------------------------	-------------------------	----------------------------

## 2018 370Z; DECAL INSTALLATION INSTRUCTIONS

**APPLIED VEHICLE:** 2018 370Z (Z34)

### SERVICE INFORMATION

If any of the Heritage Edition accent stripes requires replacement, refer to the following appropriate section of the Service Procedure starting on the next page for installation instructions.

- **Hood**..... page 4
- **Roof**..... page 7
- **Back Door**..... page 10
- **Door**..... page 12
- **Rear Fender**..... page 14
- **Front Fender**..... page 17
- **Sticker Removal** (if required)..... page 19

**NOTE:** Apply the side accent stripes in the following order

- 1<sup>st</sup> Door
- 2<sup>nd</sup> Front Fender
- 3<sup>rd</sup> Rear Fender

**IMPORTANT:** The purpose of **ACTION** (above) is to give you a quick idea of the work you will be performing. You **MUST** closely follow the entire **SERVICE PROCEDURE** as it contains information that is essential to successfully completing this repair.

Nissan Bulletins are intended for use by qualified technicians, not 'do-it-yourselfers'. Qualified technicians are properly trained individuals who have the equipment, tools, safety instruction, and know-how to do a job properly and safely. **NOTE:** If you believe that a described condition may apply to a particular vehicle, **DO NOT** assume that it does. See your Nissan dealer to determine if this applies to your vehicle.

## Required Tools:

- Painters tape
- Squeegee (squeegee must have felt lined edge to prevent scratching vehicle finish)
- Clean, lint free cloth
- Isopropyl Alcohol
- 32 ounce spray bottle with soapy water (20 drops of mild dish soap in spray bottle completely full of water)

## SERVICE PROCEDURE

### IMPORTANT:

#### BEFORE INSTALLATION

- Do not apply the accent stripes until after new paint has fully dried. Refer to the drying time recommended by paint supplier.
  - Insufficient drying time may cause defects such as solvent popping, blisters or pinholes.
- Wash the vehicle before applying an accent stripe.
- For optimum results, the accent stripes should be applied indoors and at a temperature between 68°F and 86°F (20°C- 30°C).
- Prepare soapy water bottle: 20 drops mild liquid dish soap into a 32 ounce spray bottle full of water.



Figure 1

#### AFTER INSTALLATION

- Wait 30 minutes before removing the premask from the accent stripes to prevent lifting the sticker.
- To remove the premask from applied accent stripes, slowly pull off at a 180° angle back against itself, taking care not to lift the sticker from vehicle.
- Vehicle must remain inside for at least 24 hours after installing accent stripes.
- Vehicle cannot be washed for 7 days after installation of accent stripes.

## Hood

1. Wash the area that the hood accent stripe will be applied with isopropyl alcohol (Figure 2).
  - Confirm all dirt, dust and debris have been removed.
2. Attach the hood Template.
  - a. Place on the right rear corner of the hood (Figure 2).
  - b. Align with edge of the hood.
  - c. Hold in place with painters tape.

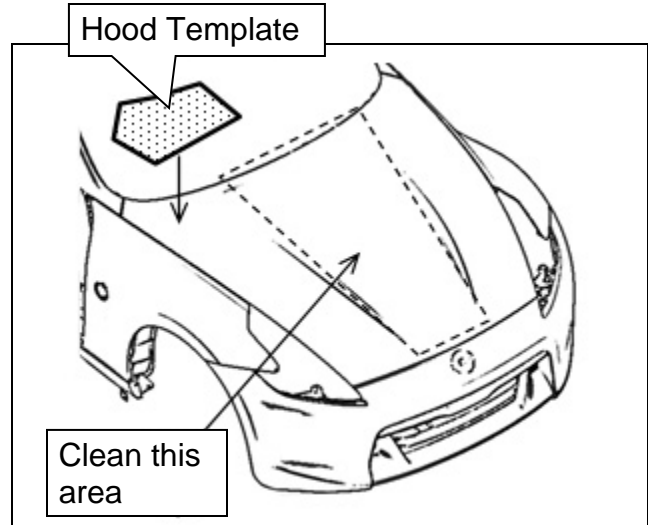


Figure 2

3. Align the right side of the hood accent stripe with the left side of the hood template and confirm that the hood accent stripe is centered on the hood.

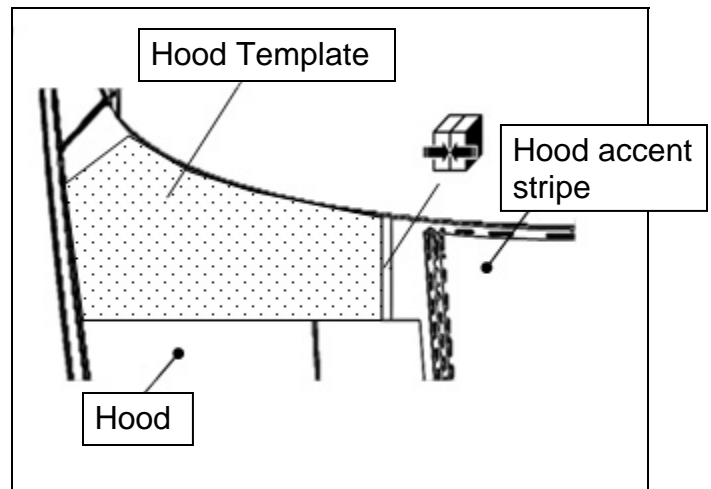


Figure 3

4. Remove the white liner from the bottom of the hood accent stripe.
5. Thoroughly wet the surface of the hood where the hood accent stripe will be applied with soapy water.
6. Wet the adhesive surface of the hood accent stripe (underside) with soapy water.
7. Set the hood accent stripe on the hood and align with the template.

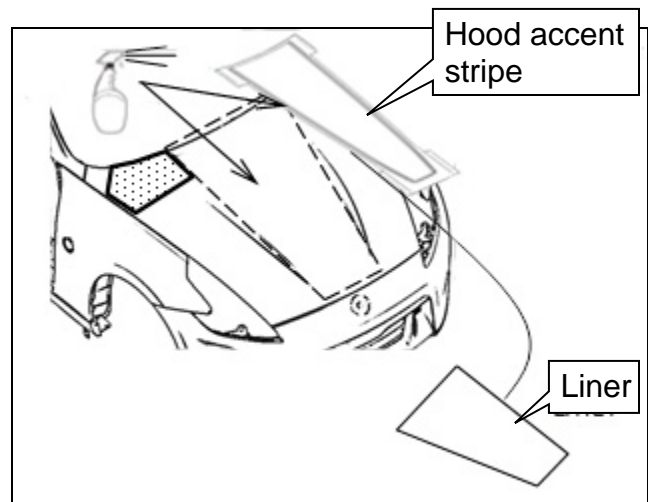


Figure 4

**IMPORTANT:** In the following steps, do not apply any more than 2 kg (4.5 lbs) of pressure. More pressure will be used later in this procedure to set the hood accent stripe.

8. Apply 2 kg (4.5 lbs) of pressure to **ONLY** the top upper center (windshield side) of the hood accent stripe with a squeegee.
  - Pressure should be applied to the last inch and no more than the width of the squeegee.

**NOTE:** This will attach the rear edge of the hood accent stripe to the hood for the following steps.

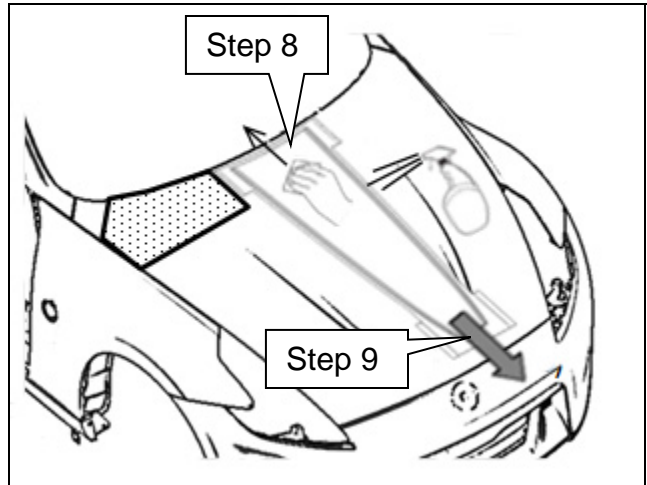


Figure 5

9. Gently pull the hood accent stripe toward the front of the vehicle to align and remove any wrinkles/slack.

10. Lift the hood accent stripe off of the hood and re-wet the adhesive surface and also the hood with soapy water.

11. Lay the hood accent stripe back onto the hood and again pull the hood accent stripe toward the front of the vehicle.
  - Confirm that the hood accent stripe is in the correct position.

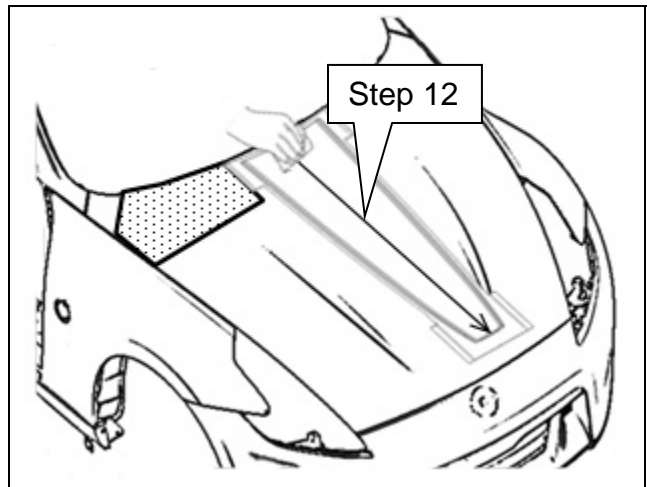


Figure 6

12. Apply 2 kg (4.5 lbs) of pressure down the center of the hood accent stripe with a squeegee.

- Start at the top (windshield side) and sweep toward the front of the vehicle.
- Only make one pass, the width of the squeegee.

13. Starting at the top of the hood accent stripe on the passenger side:
  - a. Place the squeegee over the center and with 2 kg (4.5 lbs) of pressure sweep outwards at a 90° angle to the front of the vehicle.
  - b. Move the squeegee down just enough to overlap the last pass and repeat outward sweep.

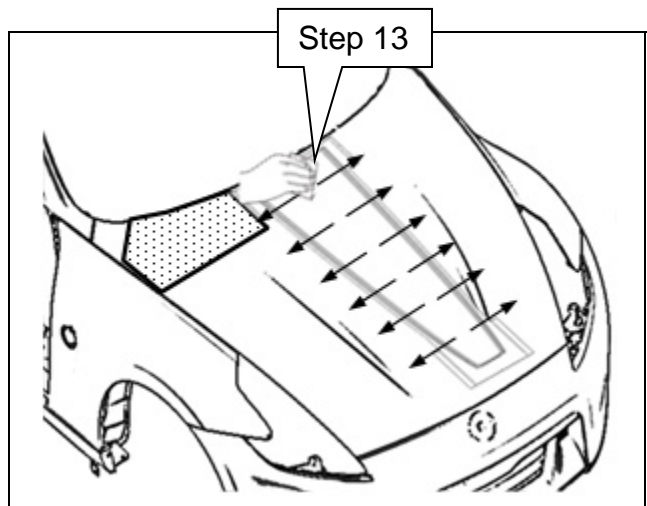


Figure 7

**Proceed to the next page.**

- c. Repeat steps 13a and 13b to the entire length of the hood accent stripe.
- d. Repeat steps 13a-13c on the driver's side of the vehicle.
- e. Repeat steps 13a-13d with 4 kg (9 lbs) of pressure.

14. Starting at the top of the hood accent stripe on the passenger side:

- a. Place the squeegee over the center and with 4 kg (9 lbs) of pressure sweep down/outwards at a 45° angle to the front of the vehicle.
- b. Move the squeegee down just enough to overlap the last pass and repeat outward sweep.
- c. Repeat steps 14a and 14b the entire length of the hood accent stripe.
- d. Repeat steps 14a-14c on the driver's side of the vehicle.

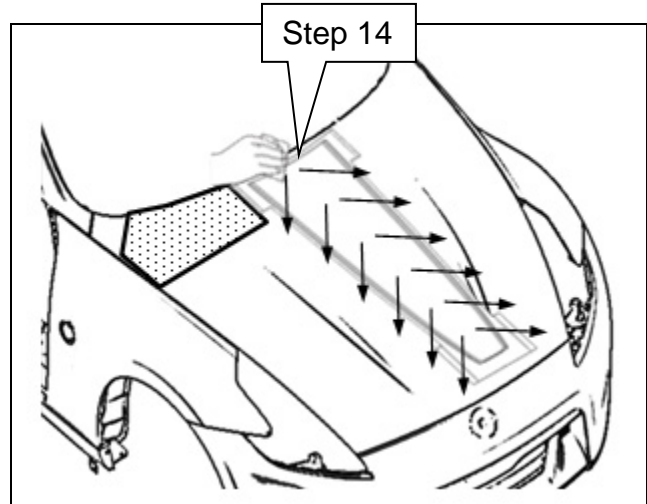


Figure 8

15. Remove the premask tape that covers the top of the hood accent stripe and hood template.

- Wait 30 minutes at 21°C (70°F) before removing the premask from the accent stripes to prevent lifting the sticker.
- To remove the premask from applied accent stripes, slowly pull off at a 180° angle back against itself, taking care not to lift the sticker from vehicle.

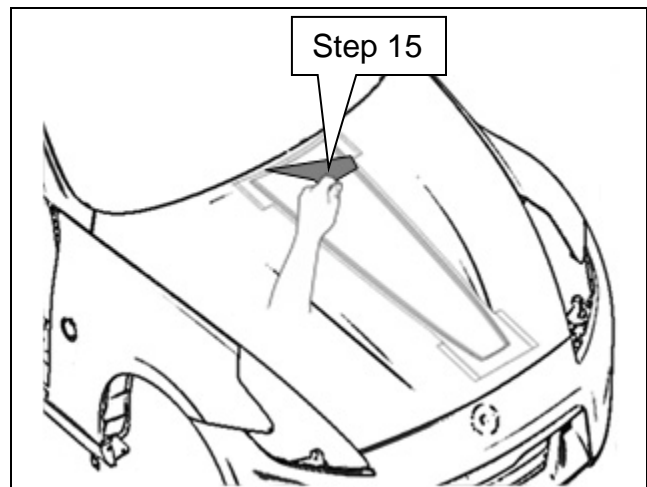


Figure 9

**IMPORTANT:**

- **Vehicle must remain inside for at least 24 hours after installing the accent stripes.**
- **Vehicle cannot be washed for 7 days after installation of the accent stripes.**

## Roof

1. Wash the area that the roof accent stripe will be applied with isopropyl alcohol.
  - Confirm all dirt, dust and debris have been removed.
2. Attach the roof Template.
  - a. Place on the right rear corner of the hood.
  - b. Align with edge of the roof.
  - c. Hold in place with painters tape.

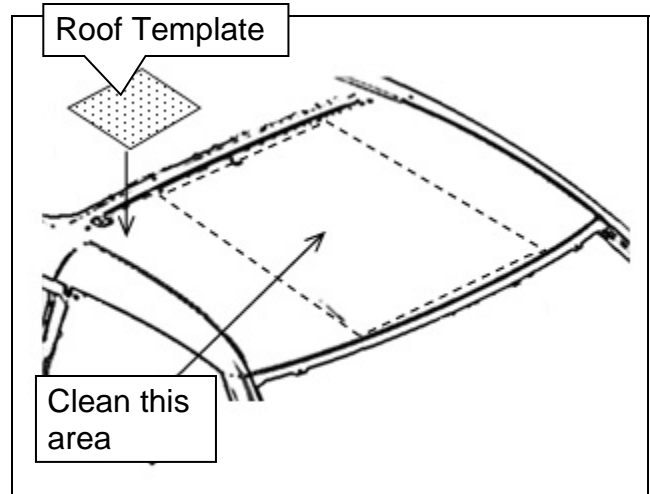


Figure 10

3. Align the right side of the roof accent stripe with the left side of the roof template and confirm that the roof accent stripe is centered on the roof.

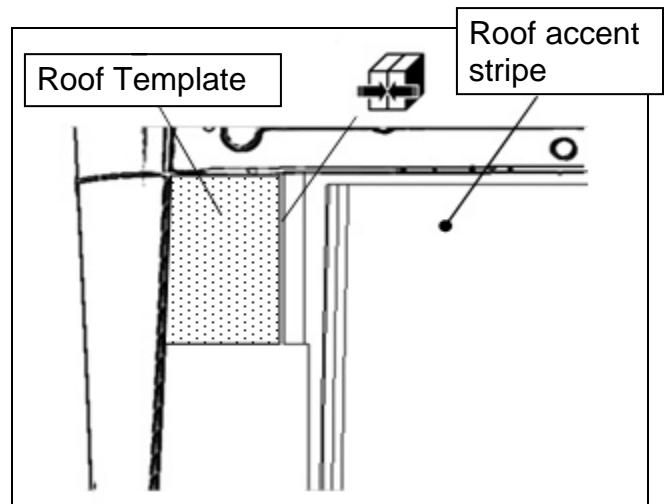


Figure 11

4. Remove the white liner from the bottom of the roof accent stripe.
5. Thoroughly wet the surface of the roof where the roof accent stripe will be applied with soapy water.
6. Wet the adhesive surface of the roof accent stripe (underside) with soapy water.
7. Set the roof accent stripe on the roof and align with the template.

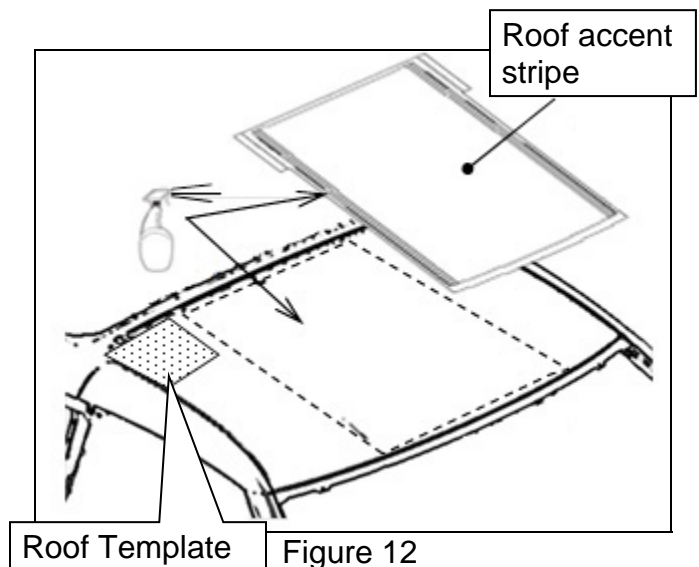


Figure 12

**IMPORTANT:** In the following steps, do not apply any more than 2 kg (4.5 lbs) of pressure. More pressure will be used later in this procedure to set the roof accent stripe.

8. Apply 2 kg (4.5 lbs) of pressure to **ONLY** the rear center of the roof accent stripe with a squeegee.

- Pressure should be applied to the last inch and no more than the width of the squeegee.

**NOTE:** This is to retain the rear edge of the roof accent stripe so that it can be aligned.

9. Gently pull the roof accent stripe toward the front of the vehicle to align and remove any wrinkles/slack.

10. Lift the roof accent stripe off of the roof and re-wet the adhesive surface and also the roof with soapy water.

11. Lay the roof accent stripe back onto the roof and again pull the roof accent stripe toward the front of the vehicle.

- Confirm that the roof accent stripe is in the correct position.

12. Apply 2 kg (4.5 lbs) of pressure down the center of the roof accent stripe with a squeegee.

- Start at the rear and sweep toward the front of the vehicle.
- Only make one pass, the width of the squeegee.

13. Starting at the front edge of the roof accent stripe:

a. Place the squeegee over the center and with 2 kg (4.5 lbs) of pressure sweep outwards at a 90° angle to the front of the vehicle.

- Make 1 (one) sweep to the driver's side and 1 (one) to the passenger side.

b. Form the roof accent stripe to the contour of the front edge of the roof, with multiple forward sweeps.

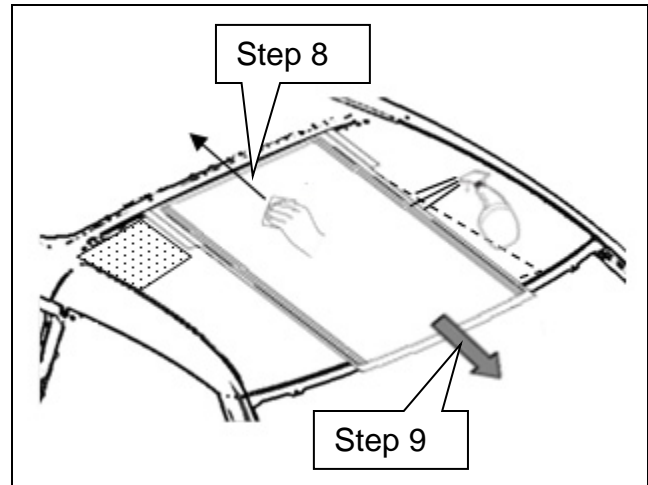


Figure 13

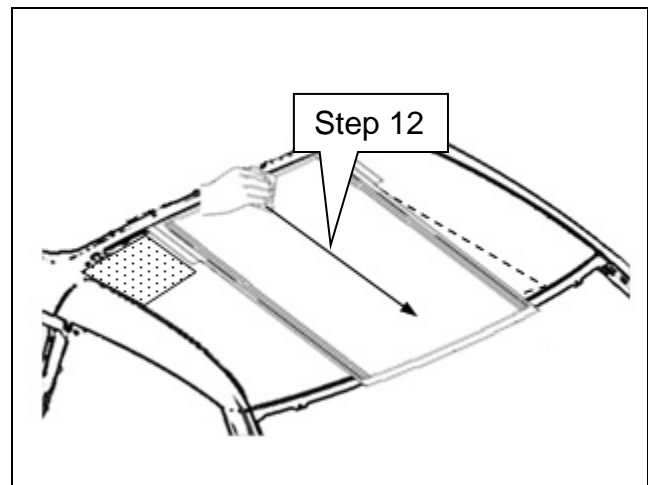


Figure 14

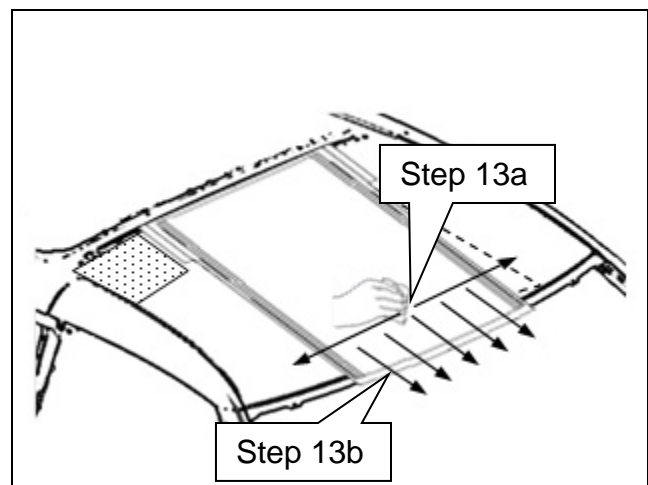


Figure 15



14. Starting at the rear of the roof accent stripe on the passenger side:
  - a. Place the squeegee over the center and with 2 kg (4.5 lbs) of pressure sweep outwards at a 90° angle to the front of the vehicle.
  - b. Move the squeegee down just enough to overlap the last pass and repeat outward sweep.
  - c. Repeat steps 14a and 14b to the entire length of the roof accent stripe.
  - d. Repeat steps 14a-14c on the driver's side of the vehicle.
  - e. Repeat steps 14a-14d with 4 kg (9 lbs) of pressure.

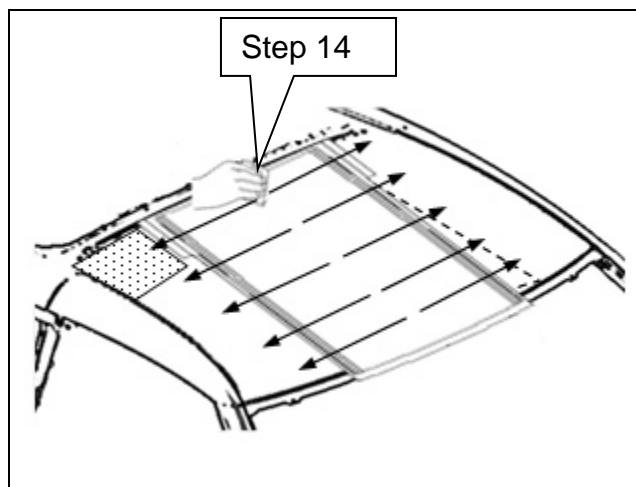


Figure 16

15. Starting at the rear of the roof accent stripe on the passenger side:
  - a. Place the squeegee over the center and with 4 kg (9 lbs) of pressure sweep down/outwards at a 45° angle to the front of the vehicle.
  - b. Move the squeegee down just enough to overlap the last pass and repeat outward sweep.
  - c. Repeat steps 15a and 15b the entire length of the hood accent stripe.
  - d. Repeat steps 15a-15c on the driver's side of the vehicle.

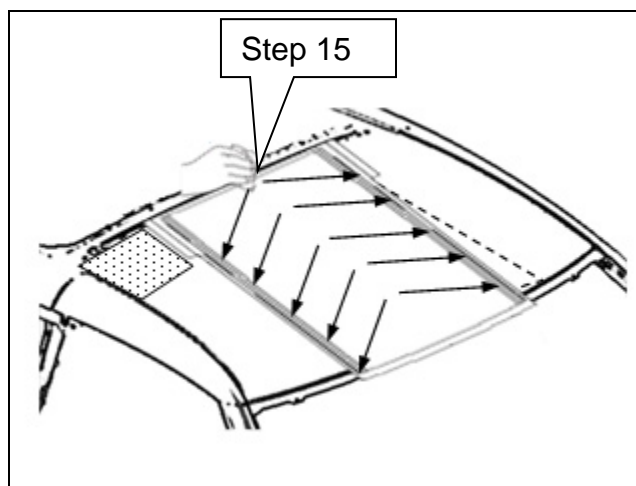


Figure 17

16. Remove the premask tape that covers the top of the roof accent stripe and rood template.
  - Wait 30 minutes at 21°C (70°F) before removing the premask from the accent stripes to prevent lifting the sticker.
  - To remove the premask from applied accent stripes, slowly pull off at a 180° angle back against itself, taking care not to lift the sticker from vehicle.

**IMPORTANT:**

- **Vehicle must remain inside for at least 24 hours after installing the accent stripes.**
- **Vehicle cannot be washed for 7 days after installation of the accent stripes.**

## Back Door

1. Wash the area that the back door accent stripe will be applied with isopropyl alcohol.
  - Confirm all dirt, dust and debris have been removed.
2. Attach the back door Template.
  - a. Place below the right rear corner of the back door window.
  - b. Align with edge of the back door window.
  - c. Hold in place with painters tape.

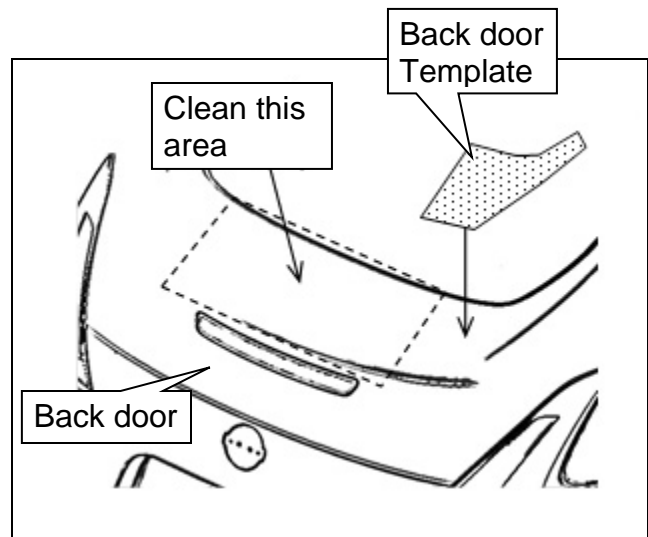


Figure 18

3. Align the right side of the back door accent stripe with the left side of back door template and confirm that the back door accent stripe is centered on the back door.

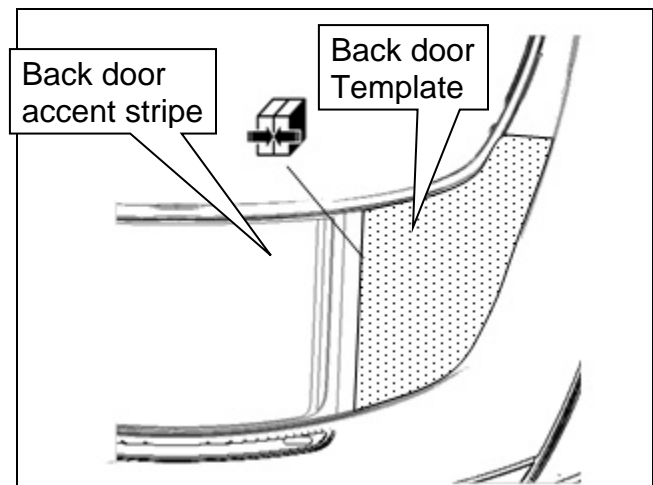


Figure 19

4. Remove the white liner from the bottom of the back door accent stripe.
5. Thoroughly wet the surface of the back door where the back door accent stripe will be applied with soapy water.
6. Wet the adhesive surface of the back door accent stripe (underside) with soapy water.
7. Set the back door accent stripe on the back door and align with the template.

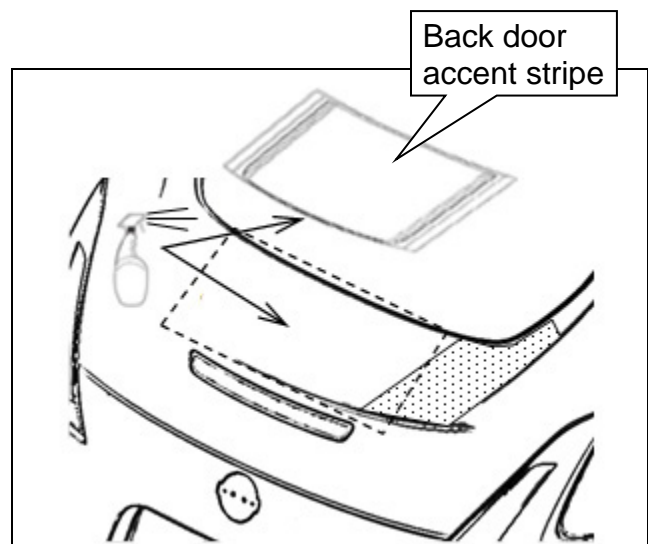


Figure 20

**IMPORTANT:** In the following steps, do not apply any more than 2 kg (4.5 lbs) of pressure. More pressure will be used later in this procedure to set the back door accent stripe.

8. Starting at the center of the back door accent stripe:
  - a. Sweep the squeegee once to the front and then rear of the vehicle with 2 kg (4.5 lbs) of pressure.
  - b. Position the squeegee at the window side and then sweep the squeegee to the left and the right, with 2 kg (4.5 lbs) of pressure, at a 90° angle to the front of the vehicle.
  - c. Move the squeegee down just enough to overlap the last pass and repeat outward sweep.
  - d. Repeat steps 8b and 8c to the entire length of the back door accent stripe.
  - e. Repeat steps 8b-8d with 4 kg (9 lbs) of pressure.

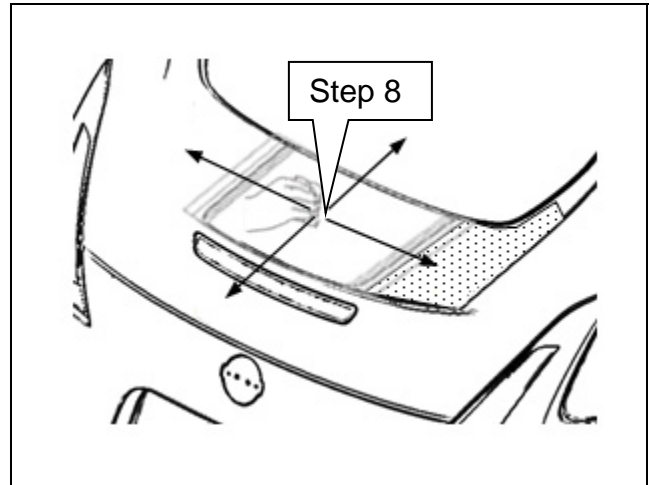


Figure 21

9. Remove the premask tape that covers the top of the back door accent stripe and back door template.
  - Wait 30 minutes at 21°C (70°F) before removing the premask from the accent stripes to prevent lifting the sticker.
  - To remove the premask from applied accent stripes, slowly pull off at a 180° angle back against itself, taking care not to lift the sticker from vehicle.

**IMPORTANT:**

- **Vehicle must remain inside for at least 24 hours after installing the accent stripes.**
- **Vehicle cannot be washed for 7 days after installation of the accent stripes.**

## Door

**NOTE:** The following door accent stripe directions are for left and right side doors.

1. Wash the area that the door accent stripe will be applied with isopropyl alcohol.

- Confirm all dirt, dust and debris have been removed.

2. Review Figure 23 for the location that the door accent stripe will be applied.

**NOTE:** Use the notches in the accent stripe, shown in Figure 22, to align with the front and rear edges of the door.

3. Remove white liner from the bottom of the door accent stripe.

4. Thoroughly wet the surface of the door where the door accent stripe will be applied with soapy water.

5. Wet the adhesive surface of the door accent stripe (underside) with soapy water.

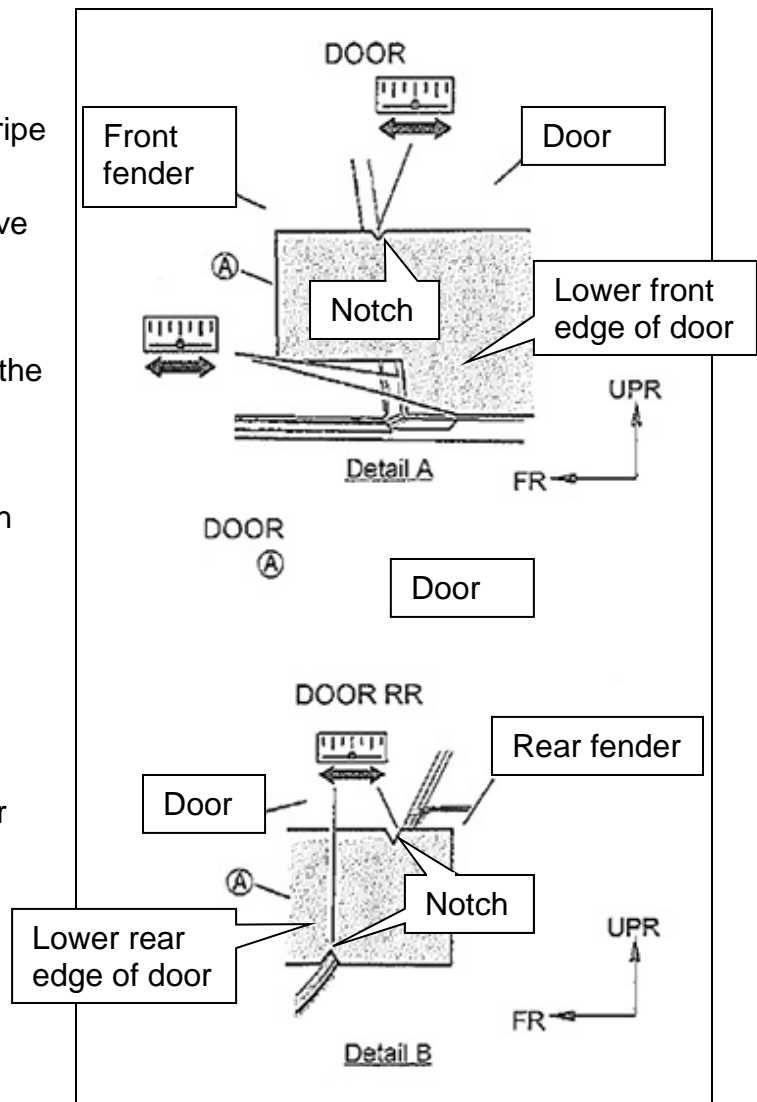


Figure 22

6. Set the door accent stripe on the door and align as shown in Figures 22 and 23.

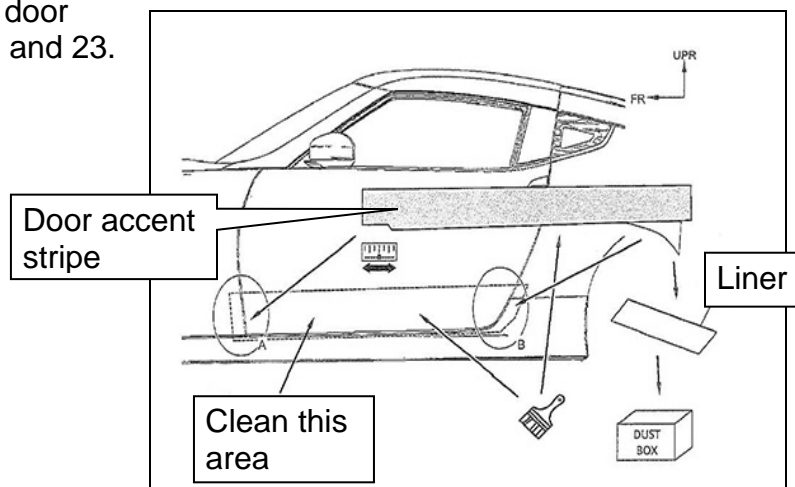


Figure 23

**IMPORTANT:** In the following steps, do not apply any more than 2 kg (4.5 lbs) of pressure. More pressure will be used later in this procedure to set the door accent stripe.

7. Starting at the center of the door accent stripe:

**NOTE:** Center is  $\frac{1}{2}$  way between the front and rear door edges and  $\frac{1}{2}$  way between the top and bottom of the door accent stripe.

- a. Place the squeegee over the center and with 2 kg (4.5 lbs) of pressure sweep upwards.
- b. Move the squeegee forward just enough to overlap the last pass and repeat upward sweep.

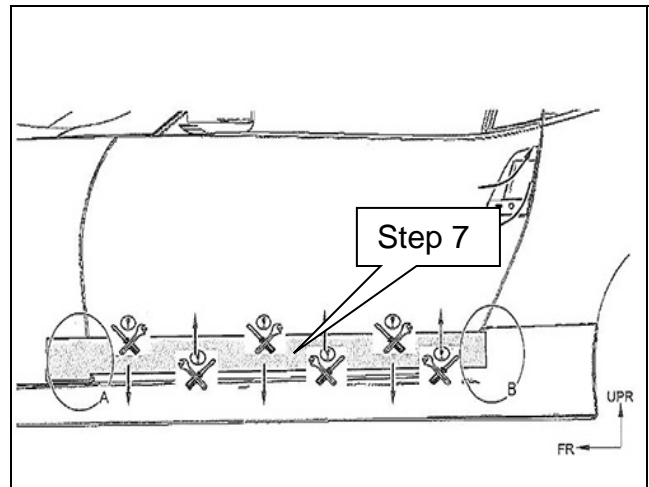


Figure 24

- c. Repeat steps 7a and 7b to the entire length until the forward edge of the door is reached.
  - d. Again place the squeegee over the center and with 2 kg (4.5 lbs) of pressure sweep upwards.
  - e. Move the squeegee rearward just enough to overlap the last pass and repeat upward sweep.
  - f. Repeat steps 7d and 7e to the entire length until the rear edge of the door is reached.
  - g. Repeat steps 7a-7f on the lower 50% of the door accent stripe.
  - h. Repeat steps 7a-7g with 4 kg (9 lbs) of pressure.
8. Remove the premask tape that covers the top of the door accent stripe.
- Wait 30 minutes at 21°C (70°F) before removing the premask from the accent stripes to prevent lifting the sticker.
  - To remove the premask from applied accent stripes, slowly pull off at a 180° angle back against itself, taking care not to lift the sticker from vehicle.

**IMPORTANT:**

- **Vehicle must remain inside for at least 24 hours after installing the accent stripes.**
- **Vehicle cannot be washed for 7 days after installation of the accent stripes.**

## Rear Fender

**NOTE:** The following rear fender accent stripe directions are for left and right side rear fender.

1. Wash the area that the rear fender accent stripe will be applied with isopropyl alcohol.
  - Confirm all dirt, dust and debris have been removed.
2. Review Figure 25 for the location that the rear fender accent stripe will be applied.
3. Remove white liner from the bottom of the rear fender accent stripe.
4. Thoroughly wet the surface of the rear fender where the rear fender accent stripe will be applied with soapy water.
5. Wet the adhesive surface of the rear fender accent stripe (underside) with soapy water.
6. Set the rear fender accent stripe on the rear fender and align as shown in Figure 25.

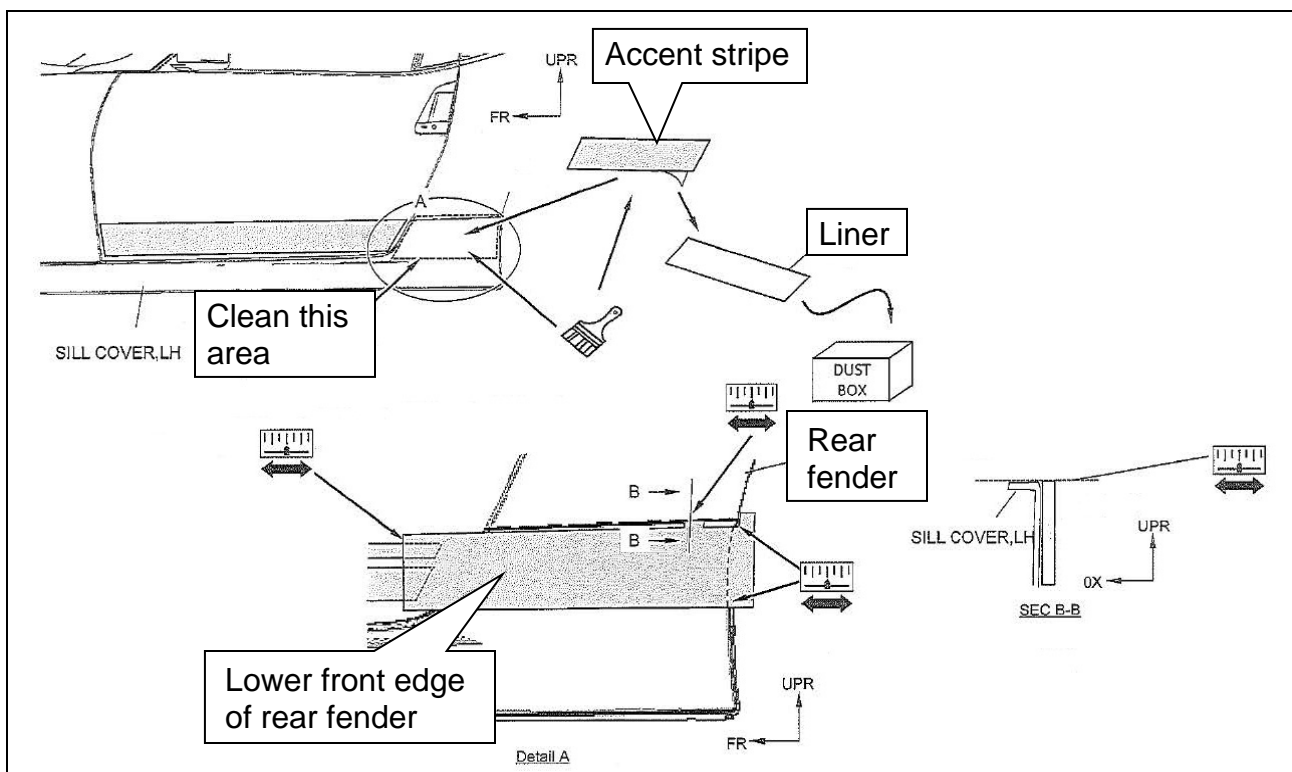


Figure 25

**IMPORTANT:** In the following steps, do not apply any more than 2 kg (4.5 lbs) of pressure. More pressure will be used later in this procedure to set the rear fender accent stripe.

7. Starting at the rear of the rear fender accent stripe:
  - a. Place the squeegee over the center and with 2 kg (4.5 lbs) of pressure sweep slightly forward and up.
  - b. Move the squeegee forward just enough to overlap the last pass and repeat forward and up sweep.
  - c. Repeat steps 7a and 7b to the entire length until the rear edge of the door is reached.
  - d. Again place the squeegee over the center and with 2 kg (4.5 lbs) of pressure sweep slightly forward and down.
  - e. Move the squeegee forward just enough to overlap the last pass and repeat forward and down sweep.
  - f. Repeat steps 7d and 7e to the entire length until the rear edge of the door is reached.
  - g. Repeat steps 7a-7f with 4 kg (9 lbs) of pressure.

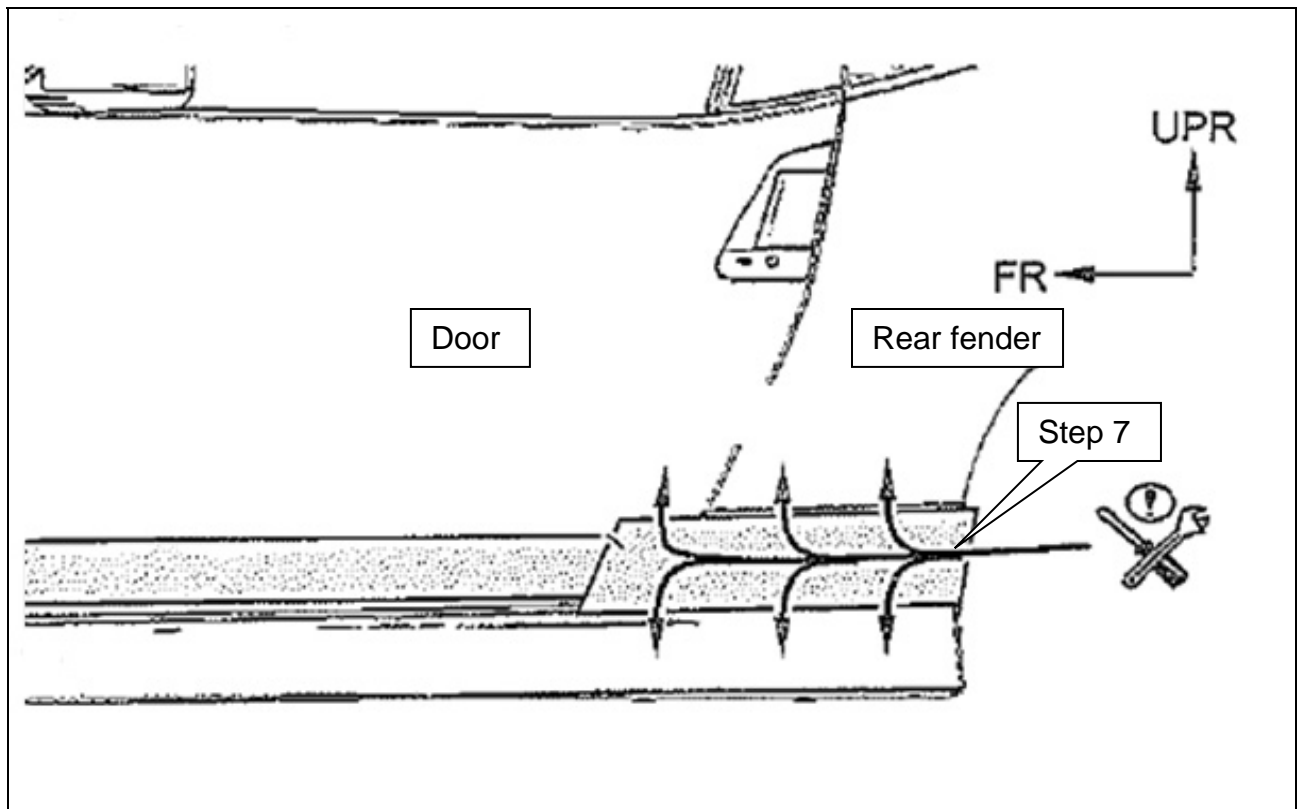


Figure 26

Proceed to the next page.

8. Remove the premask tape that covers the top of the rear fender accent stripe.
  - Wait 30 minutes at 21°C (**70°F**) before removing the premask from the accent stripes to prevent lifting the sticker.
  - To remove the premask from applied accent stripes, slowly pull off at a 180° angle back against itself, taking care not to lift the sticker from vehicle.

**IMPORTANT:**

- **Vehicle must remain inside for at least 24 hours after installing the accent stripes.**
- **Vehicle cannot be washed for 7 days after installation of the accent stripes.**



## Front Fender

**NOTE:** The following front fender accent stripe directions are for left and right side front fender.

1. Wash the area that the front fender accent stripe will be applied with isopropyl alcohol.
  - Confirm all dirt, dust and debris have been removed.
2. Review Figure 27 for the location that the front fender accent stripe will be applied.
3. Remove white liner from the bottom of the front fender accent stripe.
4. Thoroughly wet the surface of the front fender where the front fender accent stripe will be applied with soapy water.
5. Wet the adhesive surface of the front fender accent stripe (underside) with soapy water.
6. Set the front fender accent stripe on the front fender and align as shown in Figures 27.

**NOTE:** Use the notches in the accent stripe, shown in Figure 27, to align with the front and rear edges of the front fender.

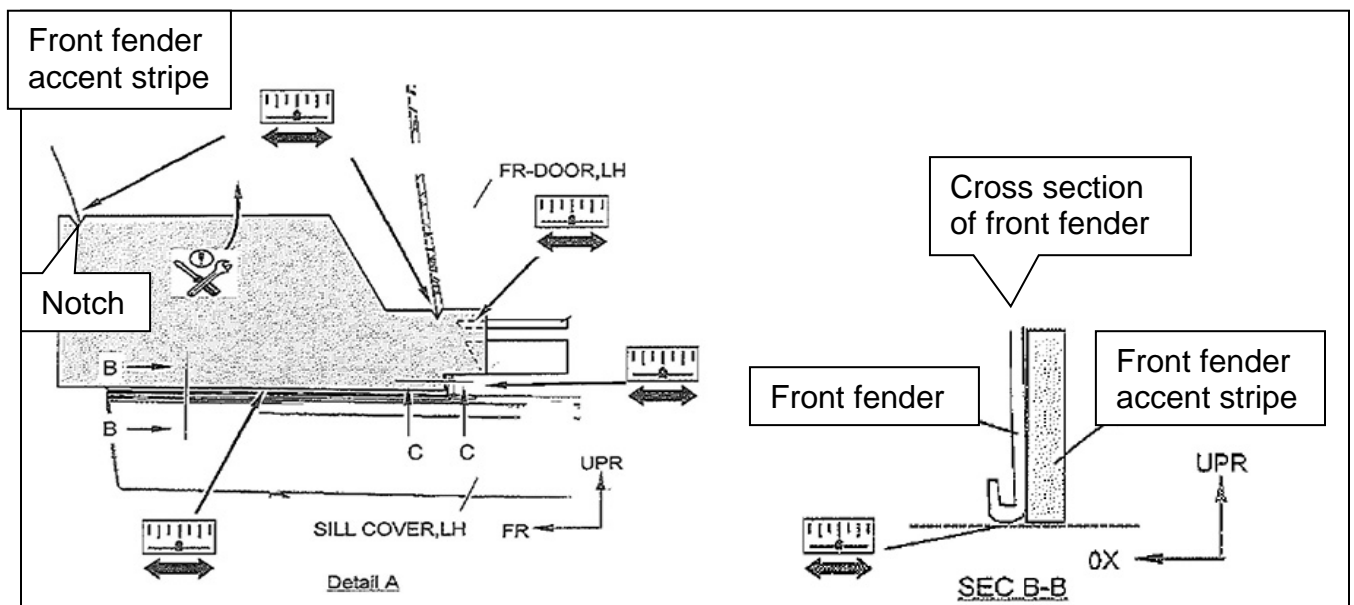


Figure 27

**IMPORTANT:** In the following steps, do not apply any more than 2 kg (4.5 lbs) of pressure. More pressure will be used later in this procedure to set the front fender accent stripe.

7. Starting at the center of the front fender accent stripe:

- a. Place the squeegee over the center and with 2 kg (4.5 lbs) of pressure sweep up.
- b. Place the squeegee over the center and with 2 kg (4.5 lbs) of pressure sweep down.
- c. Place the squeegee over the center and with 2 kg (4.5 lbs) of pressure sweep forward.
- d. Place the squeegee over the center and with 2 kg (4.5 lbs) of pressure sweep rearward.

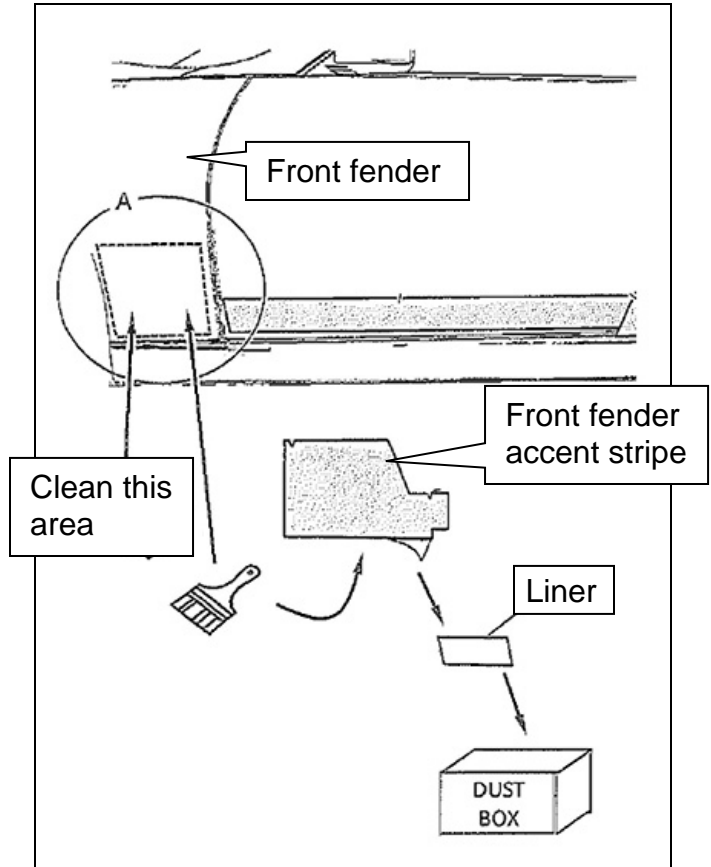


Figure 28

- e. Continue to sweep from the center out in multiple directions until all accent stripe surfaces have been covered.
- f. Repeat steps 7a-7e with 4 kg (9 lbs) of pressure.

8. Remove the premask tape that covers the top of the front fender accent stripe.

- Wait 30 minutes at 21°C (70°F) before removing the premask from the accent stripes to prevent lifting the sticker.

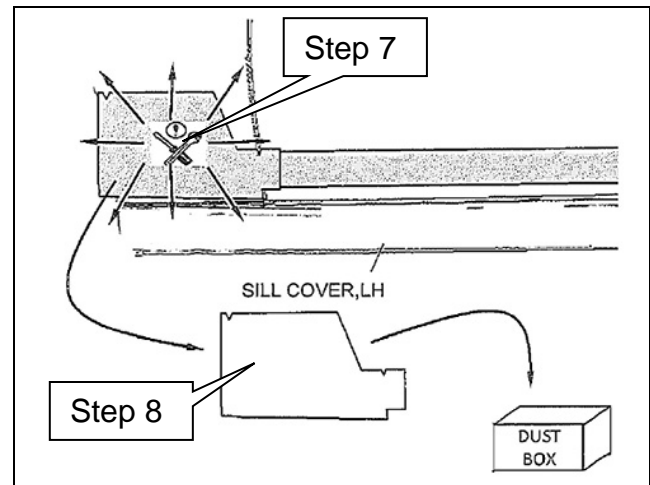


Figure 29

- To remove the premask from applied accent stripes, slowly pull off at a 180° angle back against itself, taking care not to lift the sticker from vehicle.

**IMPORTANT:**

- **Vehicle must remain inside for at least 24 hours after installing the accent stripes.**
- **Vehicle cannot be washed for 7 days after installation of the accent stripes.**

## Removal of stickers (if required)

### Required tools:

- Heat gun
- Lint free cloth
- Isopropyl alcohol

1. Set heat gun to low (60°-70°C, **140°-158°F**).
2. Heat the accent stripe that is to be removed at one of its corners.
3. Start lifting the accent stripe where heated in step 2.
4. Continue to heat accent stripe at the point that it is being separated from the vehicle.

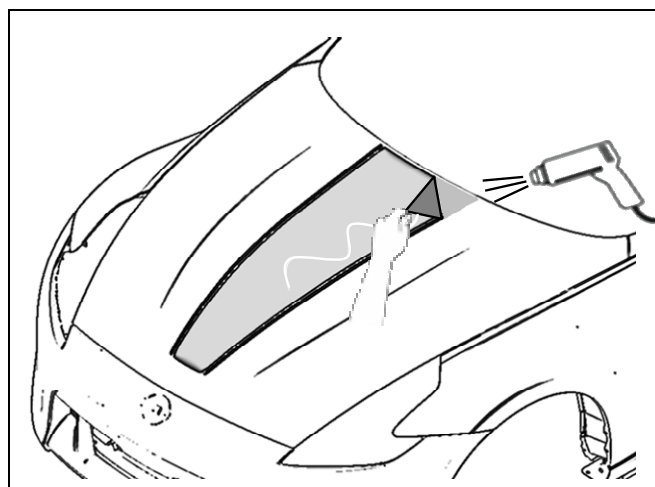


Figure 30

5. Apply Isopropyl alcohol to any residual adhesive and allow to sit for 5 minutes.
6. Wipe residual adhesive off of vehicle.
7. Repeat steps 5 and 6 until all adhesive has been removed.

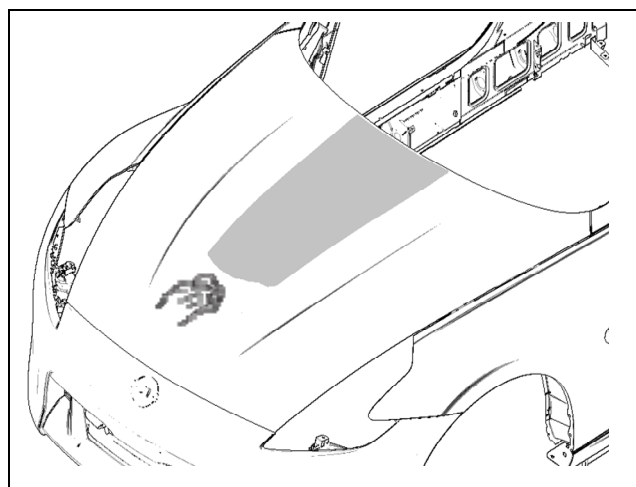


Figure 31

**PARTS INFORMATION**

REFERENCE NUMBER	DESCRIPTION	PART NUMBER	QTY
1	STRIPE-HOOD ACCENT	65092-6GG1A (black)	1 (*)
		65092-6GG1B (silver)	
2	STRIPE-KIT ACCENT	99041-6GG1A (black)	1 (*)
		99041-6GG1B (silver)	
3	STRIPE-BACK DOOR	99052-6GG1A (black)	1 (*)
		99052-6GG1B (silver)	
4	STRIPE-FR FDR ACCENT (Driver's side)	99043-6GG1A (black)	1 (*)
		99043-6GG1B (silver)	
4	STRIPE-FR FDR ACCENT (Passenger side)	99042-6GG1A (black)	1 (*)
		99042-6GG1B (silver)	
5	STRIPE-FR DOOR ACCENT (Driver's side)	99045-6GG1A (black)	1 (*)
		99045-6GG1B (silver)	
5	STRIPE-FR DOOR ACCENT (Passenger side)	99044-6GG1A (black)	1 (*)
		99044-6GG1B (silver)	
6	STRIPE-RR FDR ACCENT (Driver's side)	99049-6GG1A (black)	1 (*)
		99049-6GG1B (silver)	
6	STRIPE-FR DOOR ACCENT (Passenger side)	99048-6GG1A (black)	1 (*)
		99048-6GG1B (silver)	

(\*) As needed.

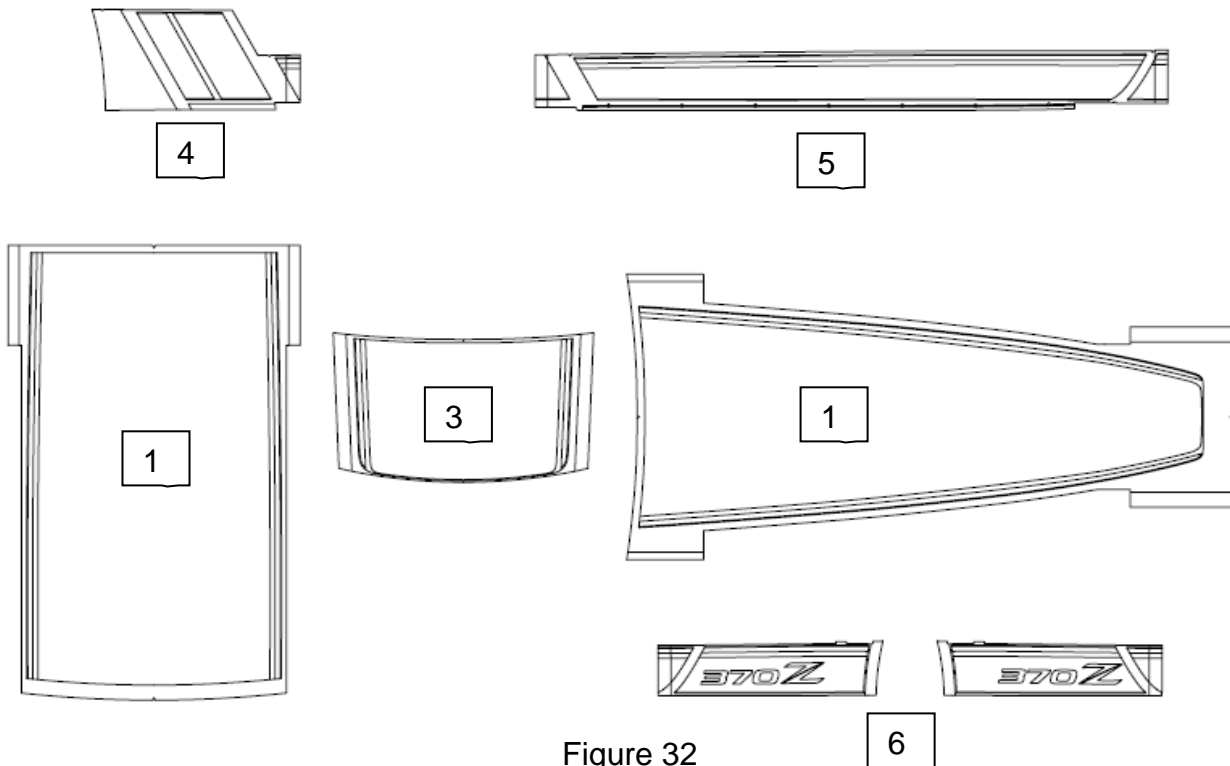


Figure 32

Additional parts Figures on the next page.

Part Figures continued.

**NOTE:** Figure 33 (7, 8 and 9) are examples of the templates that are included in the Accent Stripe Kits.

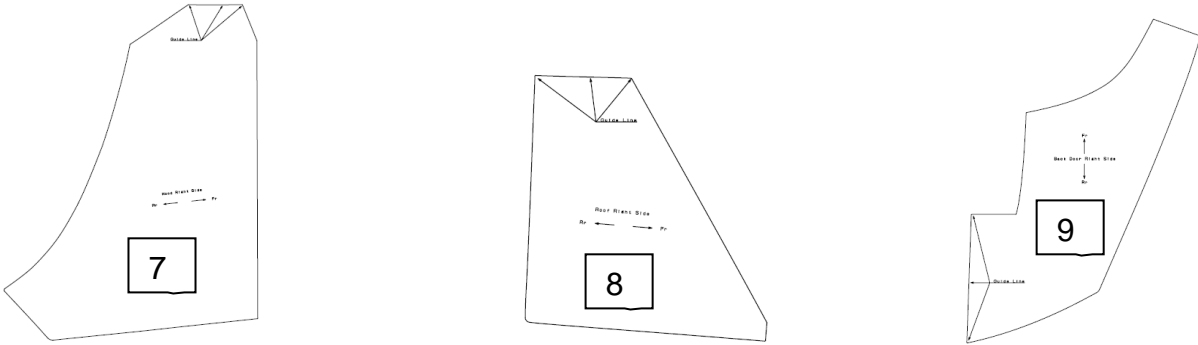


Figure 33

### CLAIMS INFORMATION

Submit a separate Primary Failed Part (PP) line for each stripe replaced.

DESCRIPTION	PFP	OP CODE	SYM	DIA	FRT
Replace Hood Accent Stripe	(1)	UT86AA	ZE	32	(2)
Replace Roof Accent Strip		UT88AA			
Replace Back Door Accent Stripe		UT90AA			
Replace Front Fender Accent Stripe-One		UT92AA			
Replace Front Door Accent Stripe-One		UT94AA			
Replace Rear Fender Accent Stripe-One		UT96AA			

(1) Reference the Parts Information Table and use the applicable Accent Stripe Part Number as the Primary Failed Part.

(2) Reference the current Nissan Flat Rate Manual and use the indicated flat rate time.