

**Symptom - Body Exterior - Headlights Have Interior Condensation: Reworking headlights (SY 04/15)**

Model Line: **Macan (95B)**

Model Year: **As of 2014**

Subject: **Headlight**

Symptom: **Symptom 1:**  
Right headlight has interior condensation.

**Symptom 2:**  
One or both headlights has/have interior condensation.



**Information**

If a **customer complains that the headlights have interior condensation**, the following points must be checked and reworked if necessary **before doing any other work**:

- Check existing **breather hose** to see if it **has a corrugated tube** and replace it if necessary ⇒ see **Cause and Remedial action '1'**.
- Check existing **air vent nozzle** to see if it **has a rubber lip** and replace it if necessary ⇒ see **Cause and Remedial action '2'** and
- Read and follow instructions in ⇒ *Technical Information '941500 Assessment of extent of fogging on lighting components (114/16)'* **and further information**.

**Cause 1:** The ventilation system does not work properly because of a kink in the breather hose.

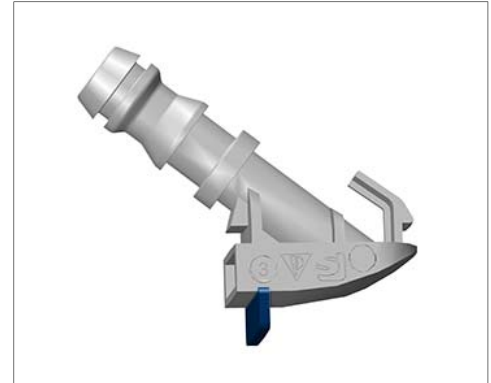
**Remedial action 1:** The breather hose 95B.941.560.**B** (without corrugated hose) must be replaced by the breather hose 95B.941.560.**C** (with corrugated hose).

It is important to check that the breather hose is routed without kinks.

**Cause 2:** Headlight ventilation is not sufficient because an air vent nozzle without an injection-molded rubber lip was installed.

**Remedial  
action 2:**

The air vent nozzles without an injection-molded rubber lip must be replaced at the left and right with air vent nozzles with an injection-molded sealing lip (Part No. **95B.941.741.A**). ⇒ *Air vent nozzle*



*Air vent nozzle*

**Date of  
Introduction:**

Modified components are installed during production since April 11, 2015.

**Parts Info:**

95B.941.560.C ⇒ Breather hose (with corrugated hose)

95B.941.741.A ⇒ Air vent nozzle (with injection-molded sealing lip)

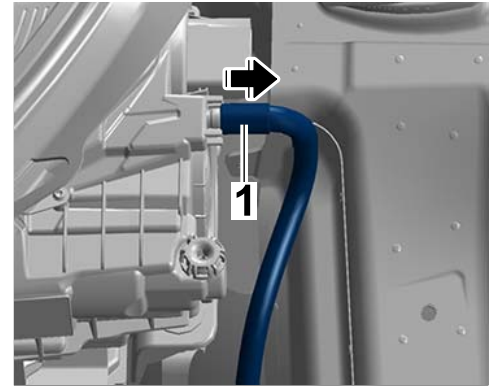
**Remedial  
action 1:****Preliminary work for remedial action 1:**

- 1 Remove front wheel housing liner at the right. ⇒ *Workshop Manual '505619 Removing and installing front wheel housing liner - section on "Removing"*
- 2 Remove rear section of front trim panel. ⇒ *Workshop Manual '700219 Removing and installing front trim panel - section on "Removing"*

**Removing breather hose for 1:**

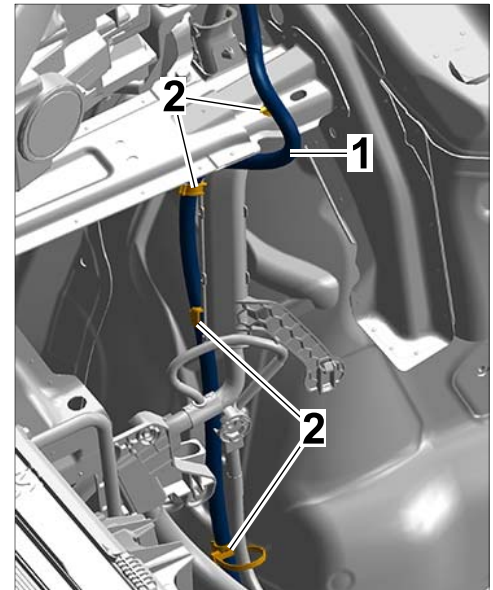
*Installation position of breather hose*

- 3 Release breather hose ⇒ *Pulling off breather hose -1-* from the headlight and pull it off ⇒ *Pulling off breather hose -arrow-*.



*Pulling off breather hose*

- 4 Unclip breather hose ⇒ *Unclipping breather hose -1-* from the fixing clips ⇒ *Unclipping breather hose -2-*.



*Unclipping breather hose*

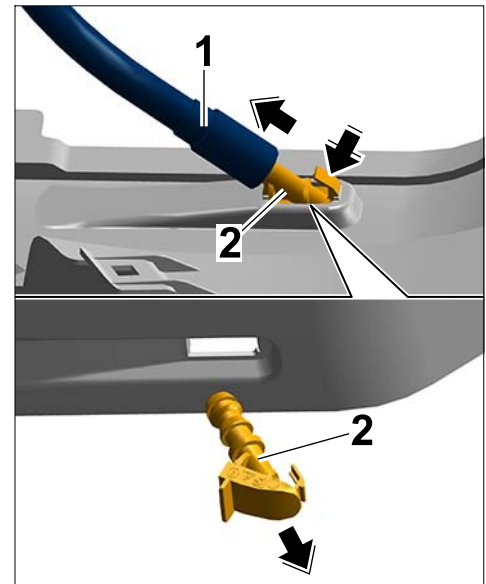
- 5 Release breather hose ⇒ *Pulling off breather hose -1-* from the air vent nozzle and pull it off. Remove breather hose and air vent nozzle. ⇒ *Pulling off breather hose -arrow-*

#### Installing breather hose for 1:

- 6 Installation is performed in reverse order to removal.

#### Subsequent work for 1:

- 7 Install front wheel housing liner at the right. ⇒ *Workshop Manual '505619 Removing and installing front wheel housing liner - section on "Installing"*
- 8 Install rear section of front trim panel. ⇒ *Workshop Manual '700219 Removing and installing front trim panel - section on "Installing"*



*Pulling off breather hose*

Measure 2:

#### Preliminary work for remedial action 2:

- 1 Remove front underbody cover at the left and right. ⇒ *Workshop Manual '519219 Removing and installing cover for front underbody - section on "Removing"*

#### Removing air vent nozzle for 2:

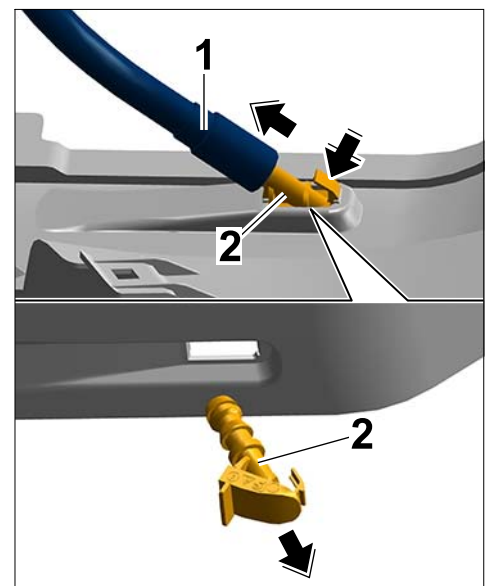
- 2 Release breather hose ⇒ *Pulling off breather hose -1-* from the air vent nozzle ⇒ *Pulling off breather hose -2-* and pull it off.

#### Installing air vent nozzle for 2:

- 3 Installation is performed in reverse order to removal.

#### Subsequent work for 2:

- 4 Install front underbody cover at the left and right. ⇒ *Workshop Manual '519219 Removing and installing cover for front underbody - section on "Installing"*



*Pulling off breather hose*

Invoicing: **Invoicing for remedial action 1:**

The work involved is invoiced under the labor operation:

APOS	Labor operation	I No.
94154902	Reworking headlights	

For invoicing and documentation using PQIS, enter the following coding:

Location (FES5)	94150	Headlights
Damage type (SA4)	5012	Interior condensation, moisture

**Invoicing for remedial action 2:**

The work involved is invoiced under the labor operation:

APOS	Labor operation	I No.
94155000	Reworking headlights	

For invoicing and documentation using PQIS, enter the following coding:

Location (FES5)	94150	Headlights
Damage type (SA4)	5012	Interior condensation, moisture

- References:
- ⇒ *Workshop Manual '505619 Removing and installing front wheel housing liner - section on "Removing"*
  - ⇒ *Workshop Manual '700219 Removing and installing front trim panel - section on "Removing"*
  - ⇒ *Workshop Manual '519219 Removing and installing cover for front underbody - section on "Removing"*
  - ⇒ *Workshop Manual '519219 Removing and installing cover for front underbody - section on "Installing"*
  - ⇒ *Workshop Manual '700219 Removing and installing front trim panel - section on "Installing"*
  - ⇒ *Workshop Manual '505619 Removing and installing front wheel housing liner - section on "Installing"*

**Important Notice:** Technical Bulletins issued by Porsche Cars North America, Inc. are intended only for use by professional automotive technicians who have attended Porsche service training courses. They are written to inform those technicians of conditions that may occur on some Porsche vehicles, or to provide information that could assist in the proper servicing of a vehicle. Porsche special tools may be necessary in order to perform certain operations identified in these bulletins. Use of tools and procedures other than those Porsche recommends in these bulletins may be detrimental to the safe operation of your vehicle, and may endanger the people working on it. Properly trained Porsche technicians have the equipment, tools, safety instructions, and know-how to do the job properly and safely. If a particular condition is described, do not assume that the bulletin applies to your vehicle, or that your vehicle will have that condition. See your authorized Porsche Dealer for the latest information about whether a particular technical bulletin applies to your vehicle. Part numbers listed in these bulletins are for reference only. Always check with your authorized Porsche dealer to verify the current and correct part numbers. The work procedures updated electronically in the Porsche PIWIS diagnostic and testing device take precedence and, in the event of a discrepancy, the work procedures in the PIWIS Tester are the ones that must be followed.

© Porsche Cars North America, Inc.