

LTB00836NAS4



TECHNICAL BULLETIN

21 DEC 2017

© Jaguar Land Rover North America, LLC

NOTE: The information in Technical Bulletins is intended for use by trained, professional Technicians with the knowledge, tools, and equipment required to do the job properly and safely. It informs these Technicians of conditions that may occur on some vehicles, or provides information that could assist in proper vehicle service. The procedures should not be performed by 'do-it-yourselfers'. If you are not a Retailer, do not assume that a condition described affects your vehicle. Contact an authorized Land Rover service facility to determine whether this bulletin applies to a specific vehicle.

INFORMATION

This reissue replaces all previous versions. Please destroy all previous versions.

Changes are highlighted in blue

SECTION:

501-05: Interior Trim and Ornamentation

SUBJECT/CONCERN:

Tailgate Trim Panel Detached From Tailgate

AFFECTED VEHICLE RANGE:

MODEL:	MODEL YEAR:	VIN:	ASSEMBLY PLANT:
Discovery Sport (LC)	2015 Onwards	500429 Onwards	Halewood

MARKETS:

NORTH AMERICA

CONDITION SUMMARY:**SITUATION:**

The tailgate interior trim panel may become detached from the tailgate during closing.

CAUSE:

This may be caused by the clips not being fully engaged during assembly.

ACTION:

Should a customer express this concern, follow the Workshop Procedure below.

PARTS:

PART NUMBER	DESCRIPTION	QUANTITY
LR006101	Nylon clip	9
LR001790	Metal clip	3
AYH100790	Metal clip	2
LR001080	Metal screw	2

WARRANTY:**NOTES:**

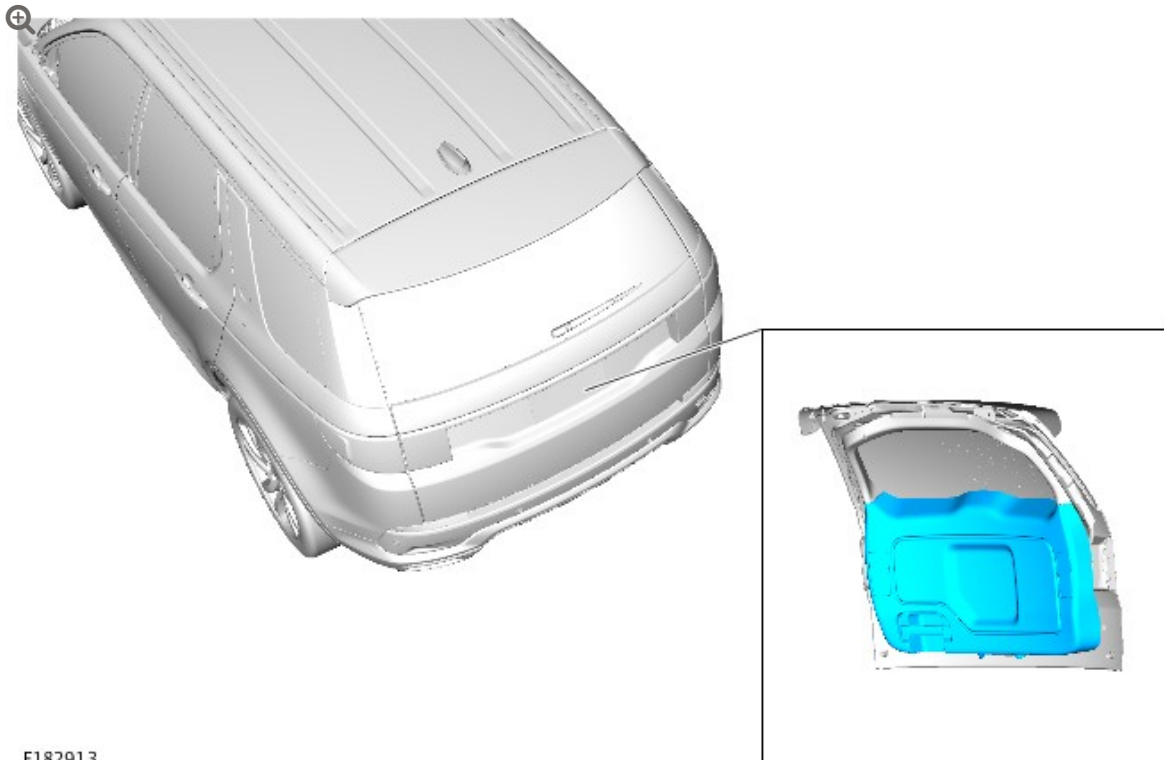
- Repair procedures are under constant review, and therefore times are subject to change; those quoted here must be taken as guidance only. Always refer to JLR claims submission system to obtain the latest repair time.
- The JLR Claims Submission System requires the use of causal part numbers. Labor only claims must show the causal part number with a quantity of zero.

DESCRIPTION	SRO	TIME (HOURS)	CONDITION CODE	CAUSAL PART
Tailgate trim panel - Remove and install	76.34.04.99	0.3	24	LR075425
Tailgate - Alignment check	76.28.89.88	0.1	24	LR075425
Tailgate - Align on hinges	76.28.31	0.9	24	LR075425

NOTE:

Normal Warranty procedures apply.

COMPONENT LOCATION:



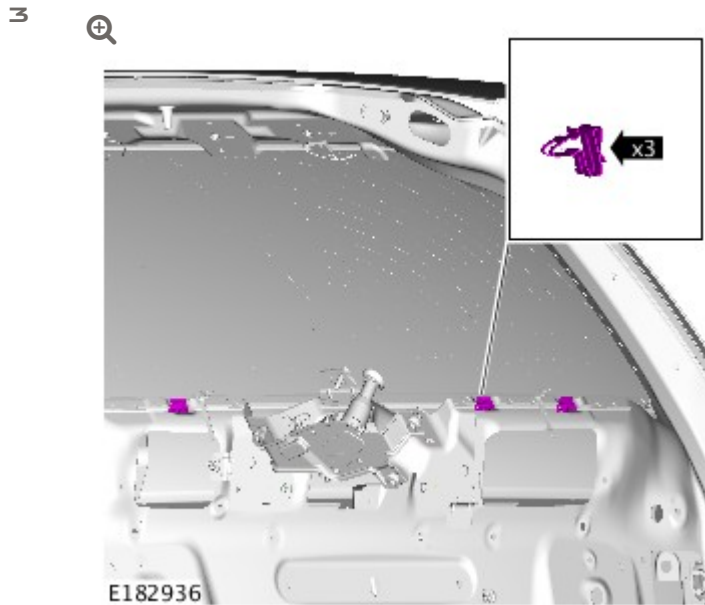
E182913

Component location.

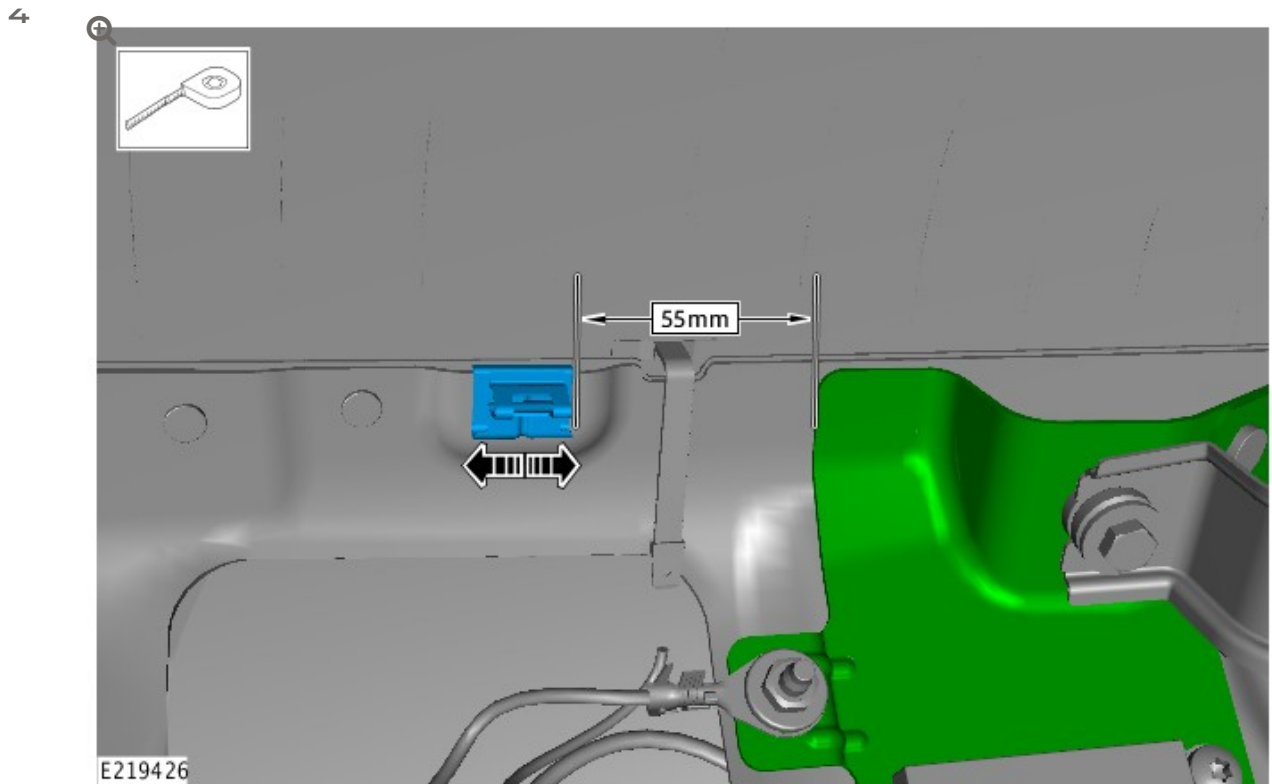
WORKSHOP PROCEDURE:

- 1 Remove the tailgate trim panel (see TOPIx Workshop Manual section 501-05: Interior Trim and Ornamentation).
 - Discard the tailgate grab handle retaining screws.
- 2 Check the alignment of the tailgate (see TOPIx Workshop Manual section 501-26: Body Repairs - Vehicle Specific Information and Tolerance Checks - Tailgate Alignment).
 - 1 If the tailgate does not require alignment, go to Step 3.
 - 2 If the tailgate does require alignment, complete the tailgate alignment procedure.

- Once complete, go to Step 3.

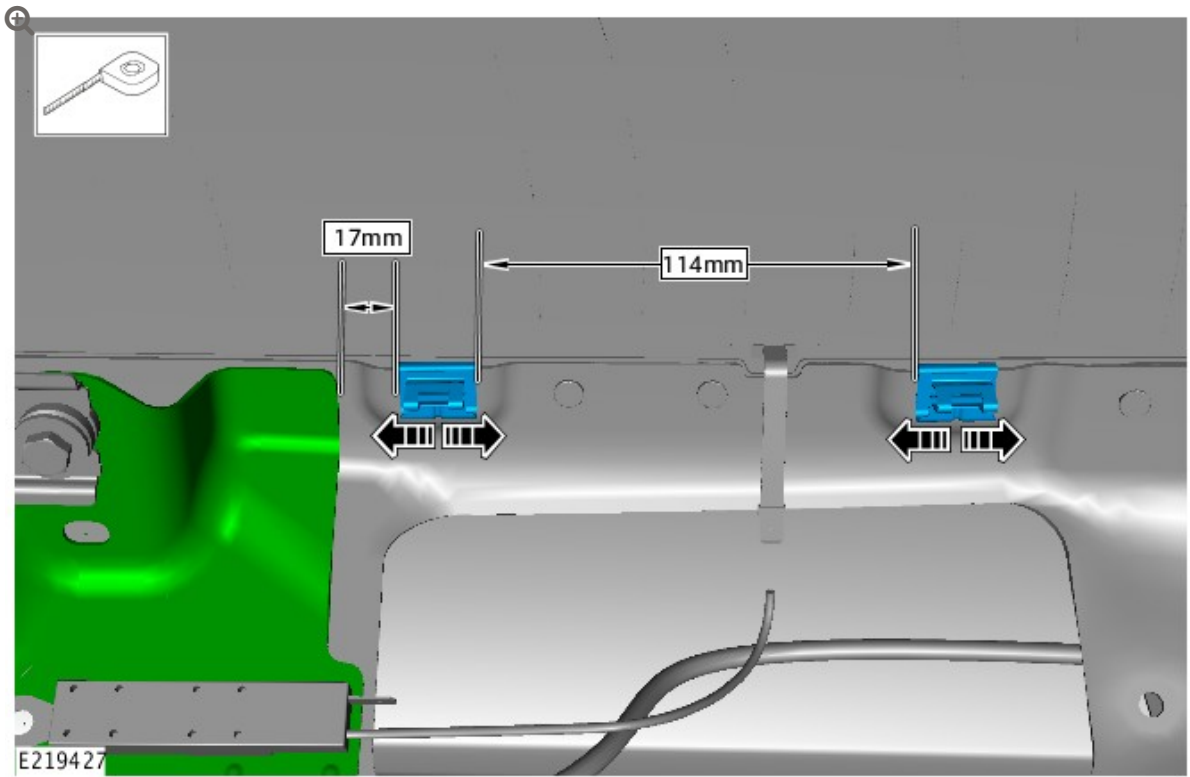


Install the 3 new tailgate trim panel clips to the tailgate.



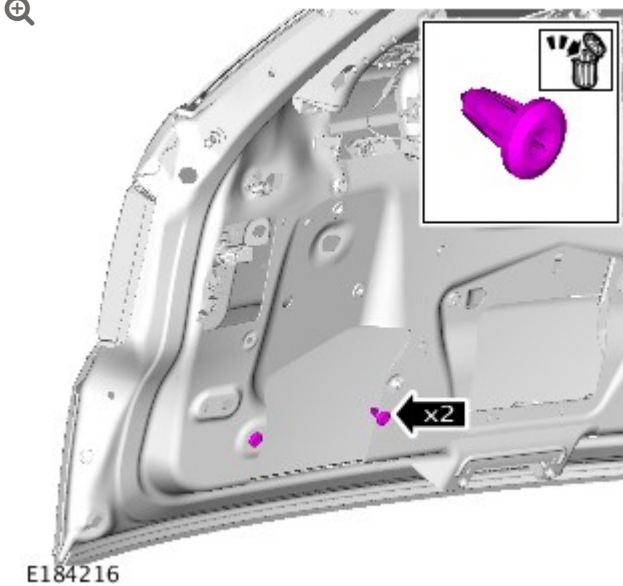
Adjust the position of the new tailgate clip as shown.

5



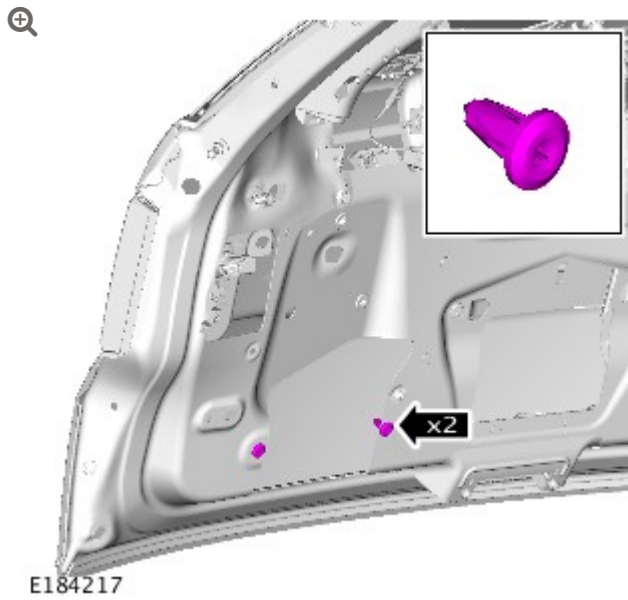
Adjust the position of the new tailgate clips as shown.

6



Remove and discard the 2 plastic nut inserts.

7



Install the 2 new plastic nut inserts.

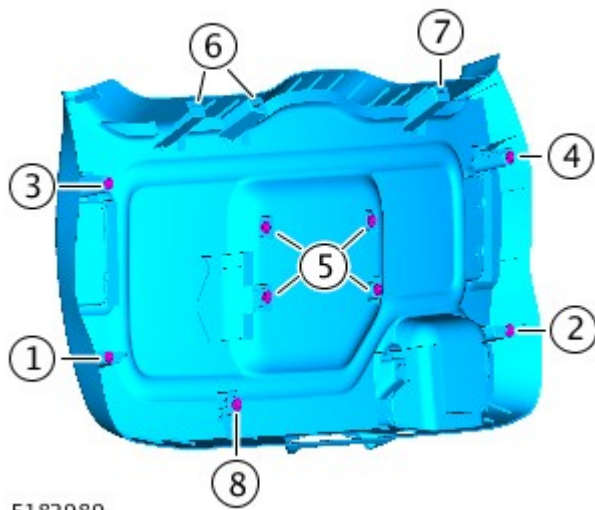
8

CAUTION:

Do not use impact force to install the tailgate trim panel.

NOTE:

The 9 new tailgate trim panel clips must be installed into the tailgate in the order shown.



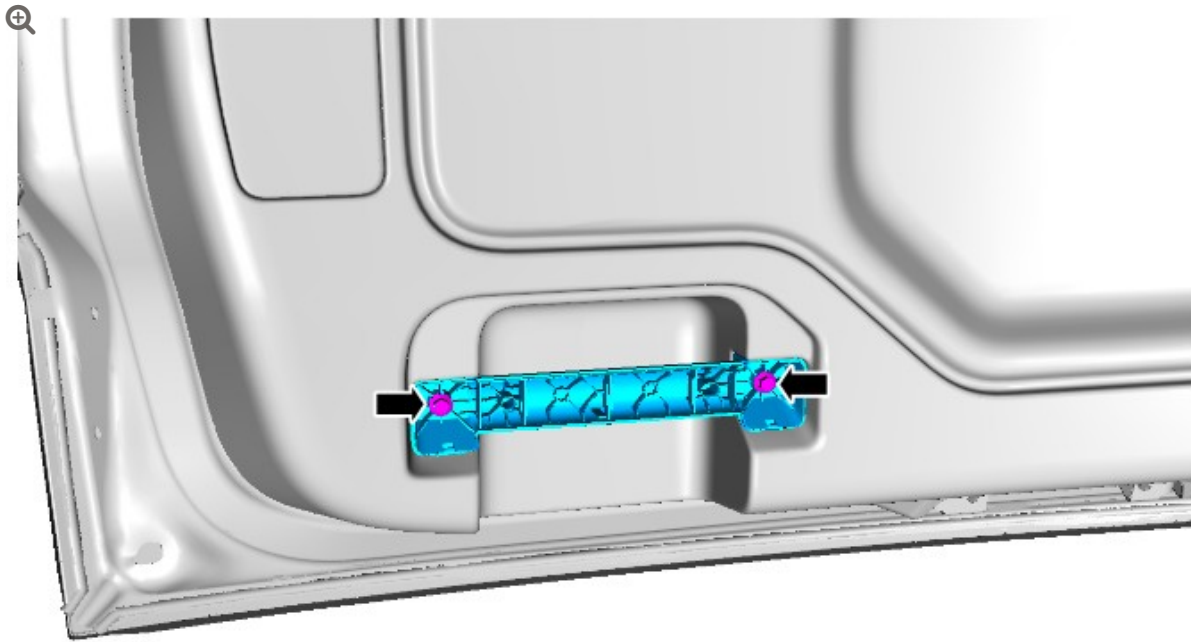
Install the tailgate trim panel (see TOPIx Workshop Manual section 501-05: Interior Trim and Ornamentation).

- Make sure the tailgate trim panel is installed correctly with no visible gaps around the edge.



NOTE:

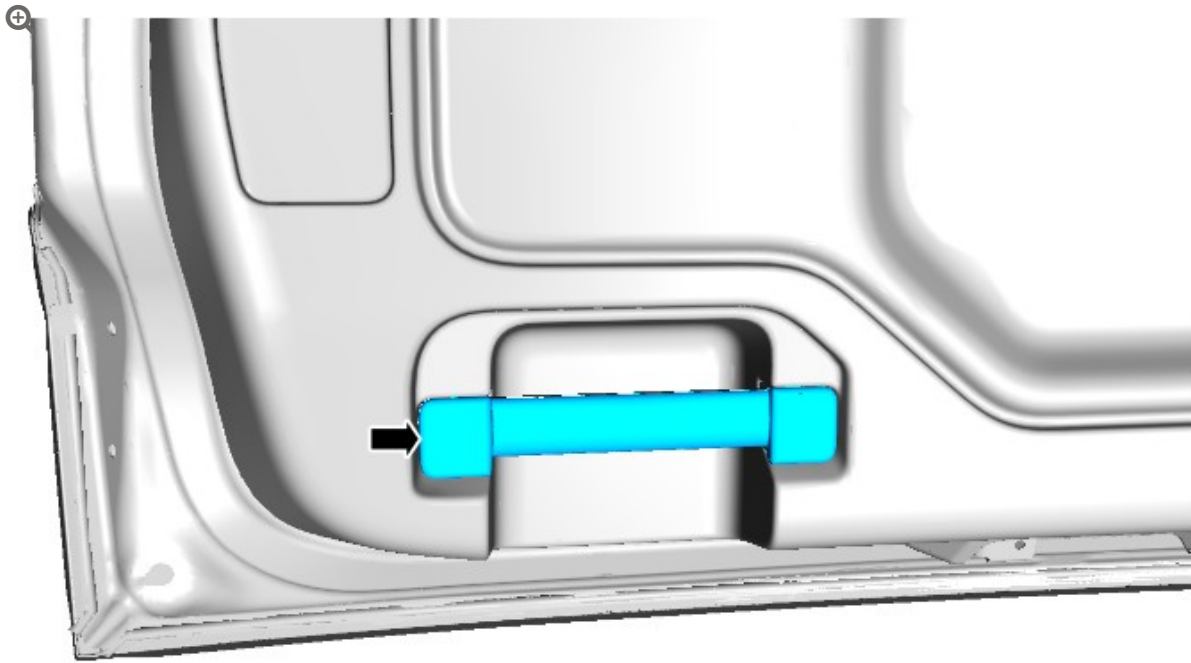
Make sure the correct screws are used on installation of the tailgate grab handle.



E192608

Install the tailgate grab handle.

- Torque: **7 Nm**



E192609

Install the tailgate grab handle trim cover.

-
- ¹¹ Make sure the tailgate trim panel is installed correctly with no visible gaps around the edge.