

Driver Seat, Retrofit  
VN**FSB 852-001, Driver Seat, Retrofit****(December 2017)**

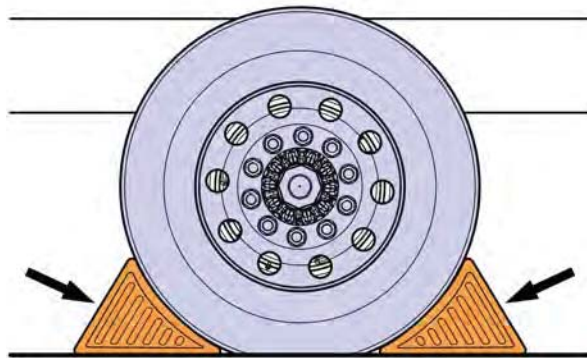
To retrofit the driver seat from an IMMI RollTek seat (Sears) to an IMMI RollTek seat (National), follow the instructions below.

## Decommissioning the Truck for Repair

You must read and understand the precautions and guidelines in Service Information, group 80, "General Safety Practices, Body, Cab, and HVAC" before performing this procedure. If you are not properly trained and certified in this procedure, ask your supervisor for training before you perform it.

**NOTE:** Information is subject to change without notice. Illustrations are used for reference only and can differ slightly from the actual vehicle being serviced. However, key components addressed in this information are represented as accurately as possible.

- 1 Park the vehicle on a flat and level surface.
- 2 Apply the parking brake.
- 3 Place the transmission in neutral or park.
- 4 Install the wheel chocks.



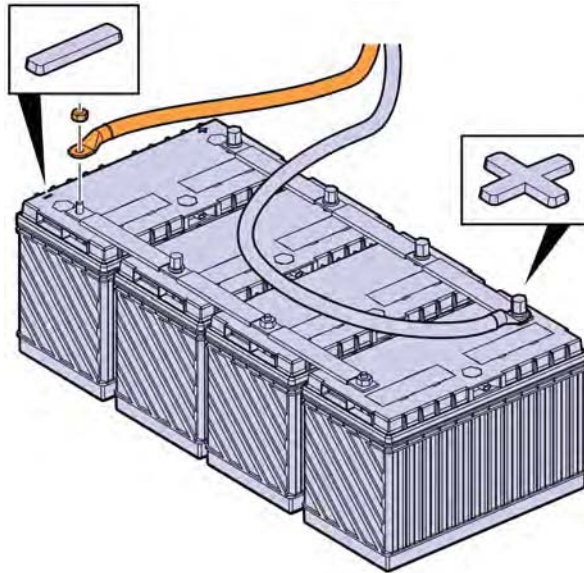
W7086748

## Initial Assessment Procedure

- 1 Turn the vehicle ignition on.
- 2 Ensure that the airbag warning light illuminates and then turns off after 5 seconds.
- 3 If the light remains on or turns back on after turning off, use the IMMI diagnostic software to diagnose the problem before continuing.

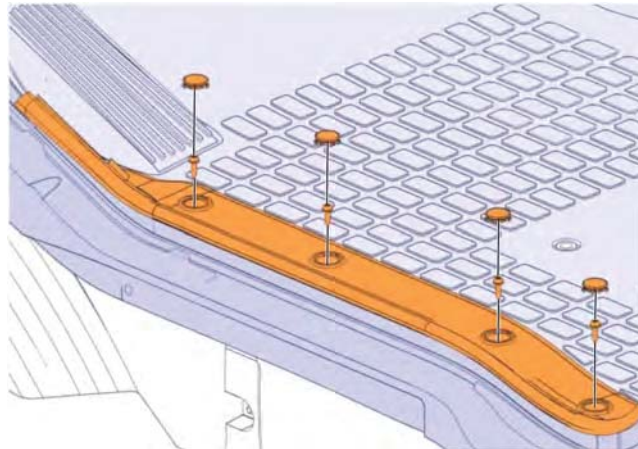
## Seat Replacement Procedure

- 1 Disconnect the cable from the battery's negative terminal.



W3086747

- 2 Drain the truck's air system.
- 3 Remove the driver's side threshold plate.



W8128811

- 4 Disconnect the airline to the seat.

- 5 Disconnect the driver's seat electrical connections at the back of the seat.



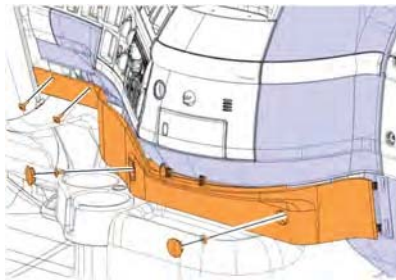
**DANGER**

Untended airbag deployment may occur can occur if the seat is moved while still connected to electrical power.

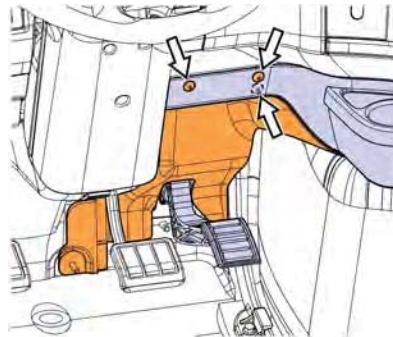
Disconnect all electrical connections before working on the seat.

Failure to disconnect electrical power to the seat could result in serious personal injury or death.

- 6 Remove any driver side floor mats.  
7 Remove the cup holder panel and lower kick panel.

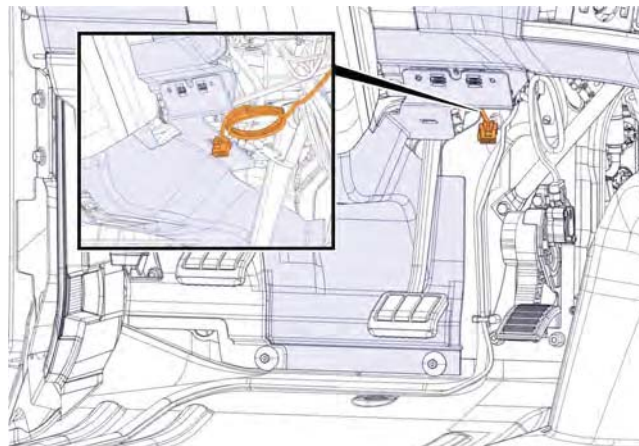


W8120733



W2083011

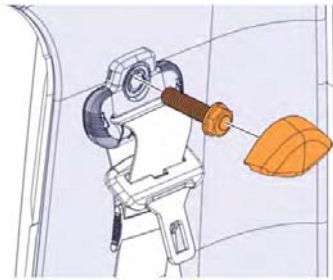
- 8 Remove the cable ties securing the floor harnesses and coil the seat harness. Place the coiled seat harness inside the dash area as shown and secure it to the main harness. Be sure to leave the connector accessible.



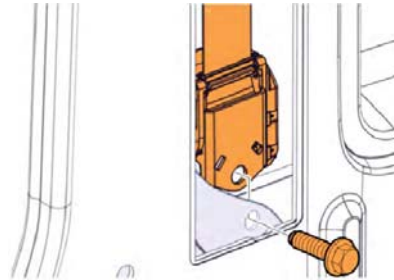
W3128132

9 Remove the seat belt from the cab wall.

**Note:** Use hand tools only. Do not use power tools.



W8127738



W8127844

10 Remove the bolts connecting the seat tethers to the floor.

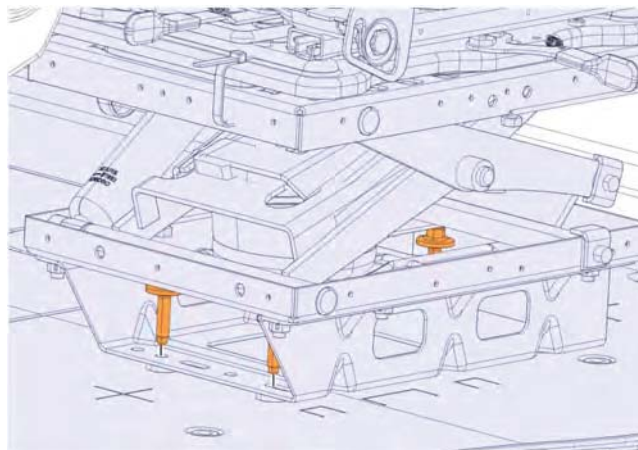
11 Remove the 4 mounting bolts for the seat and remove the old seat from the cab.

**Note:** Save the bolts for reuse.



### WARNING

Heavy part.  
Assistance is required to remove the seat from the cab.  
Failure to use assistance could result in personal injury.

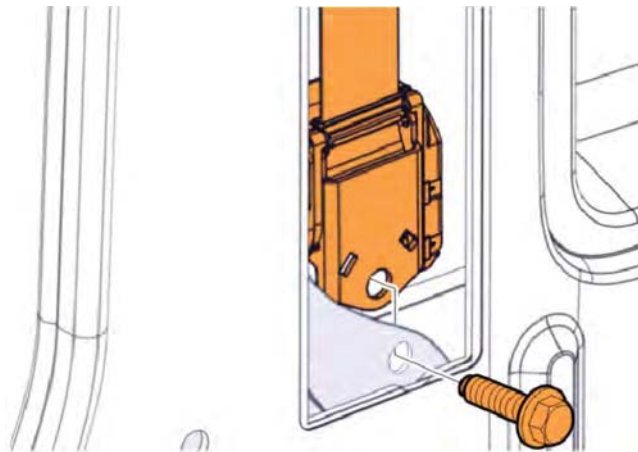


W8127735

12 Remove the airbag and pyrotechnic components from the old seat and dispose of properly.

13 Install the new seat belt lower mount into the wall. Torque the fasteners to the specifications below.

**Note:** Use hand tools only. Do not use power tools.

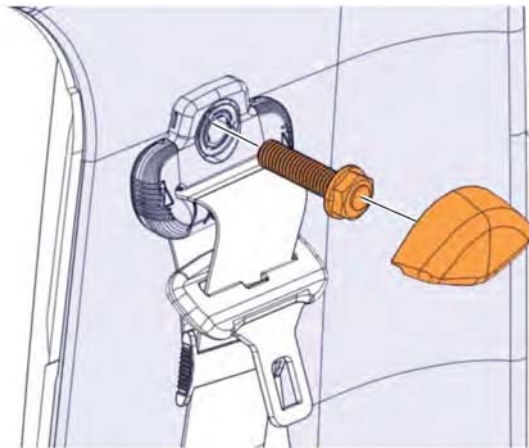


W8127844

Tightening Torque	
Seat Belt Bolt	50+/- 7 Nm

14 Install the new upper seat belt mount into the cab wall. Torque the fasteners to the specifications below.

**Note:** Use hand tools only. Do not use power tools.



W8127738

Tightening Torque	
Seat Belt Bolt	50 +/- 7Nm

15 Place the seat into the cab.



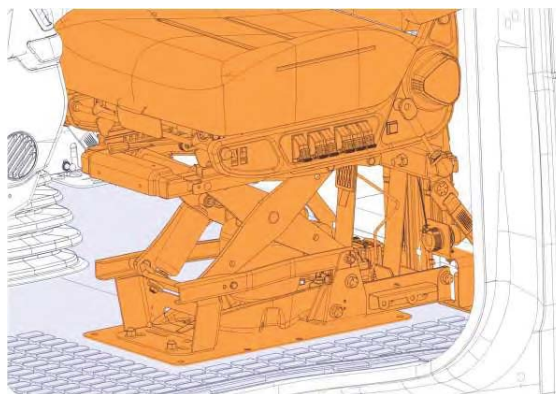
**WARNING**

Heavy part.  
Assistance is required to install the seat into the cab.  
Failure to use assistance could result in personal injury.



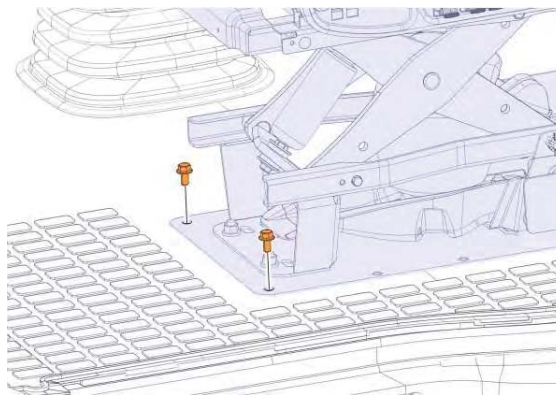
**DANGER**

Untended airbag deployment may occur can occur if the seat is moved while connected to electrical power.  
Do not connect electrical power to the seat until instructed to do so.  
Failure to leave electrical power to the seat disconnected could result in serious personal injury or death.



W8127094

16 Install the front mounting bolts.



W8127095

17 Remove the 4 screws holding the new seat airbag ECU in place.

**Note:** Retain hardware for later use.

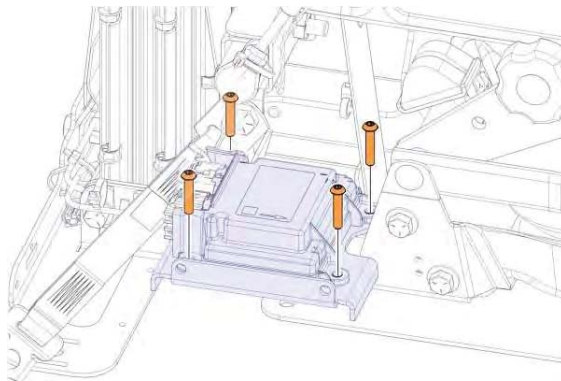


**DANGER**

Damage to the ECU or the ECU harness can result in improper airbag and seat restraint deployment.

Do not disconnect the ECU from the harness, and do not over strain the harness when moving the ECU.

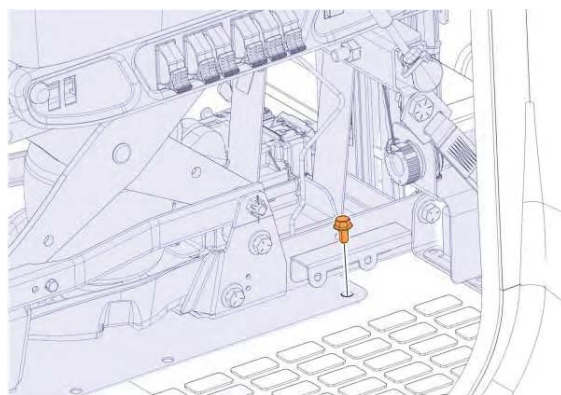
Failure to do so could lead to serious personal injury or death.



W8126966

18 Install the rear mounting bolts.

**Note:** One of the rear mounting bolts is located under the seat airbag ECU. Move the ECU out of the way to access the fastener location.




W8127096

19 Torque the 4 seat mounting bolts to the specification below.

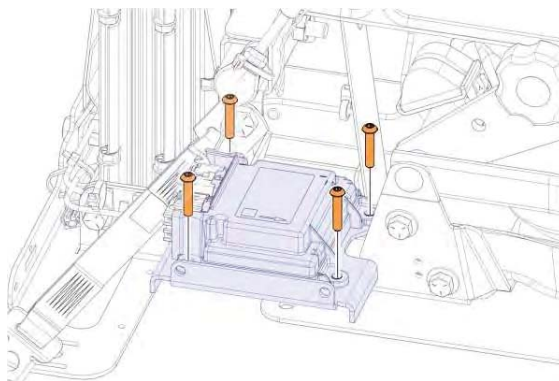
Tightening Torque	
Seat Mounting Bolts	60 +/- 9 Nm



20 Reinstall the 4 seat airbag ECU mounting screws.

 **DANGER**

The arrow on the sensor must point towards the front of the vehicle for proper ECU function.  
Failure to orient the ECU correctly could result in serious personal injury or death..



W8126966

21 Torque the 4 seat airbag ECU screws to the specification below.

<b>Tightening Torque</b>	
ECU Mounting Bolt	75 +/- 5 in-lbs

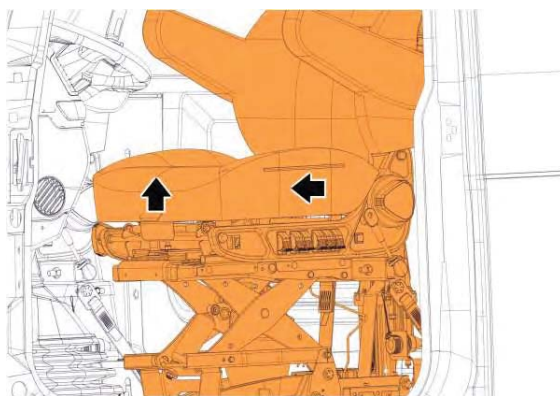
22 Using shop air supply regulated to 125 -130 psi, raise the seat to the maximum height, and slide the seat fully forward.

**Note:** Unregulated shop supplied air pressure may damage seat components.



**WARNING**

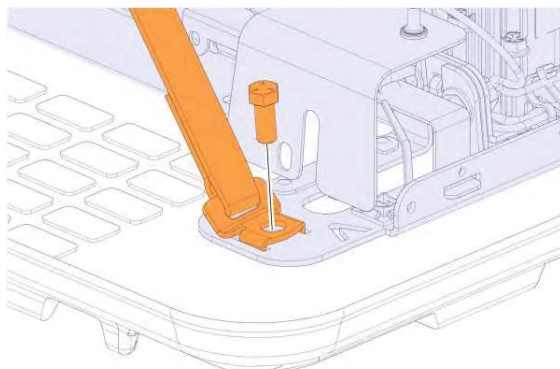
Unregulated shop supplied air pressure may damage seat components. Failure to properly regulate the air pressure could result in damaged components or personal injury.



W8127098

23 Install the seat tethers. Torque the bolts to the specification below.

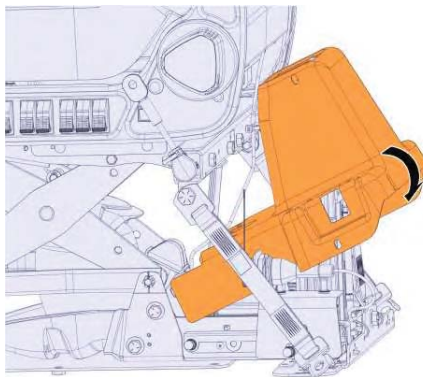
**Note:** Use hand tools only. Do not use power tools.



W8127097

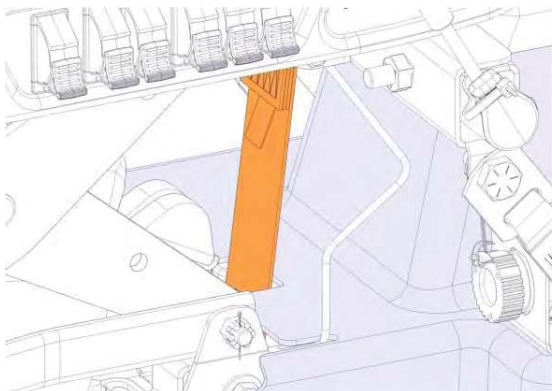
Tightening Torque	
Seat Tether Bolt	50 +/- 7Nm

24 Install the lower cover by tipping it forward and lowering it into place. Secure the cover using the 3 included push rivets.



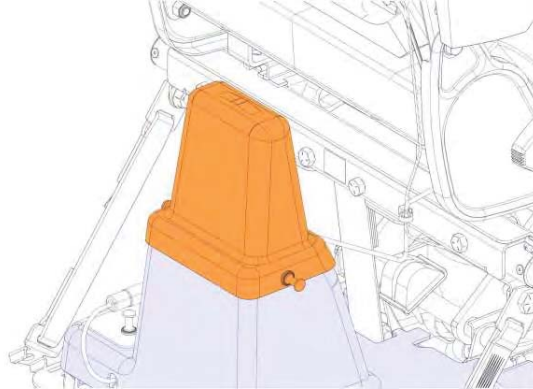
W8127099

25 Be sure that the center seat tether is properly positioned through the slot in the cover.



W8126967

26 Install the upper cover and secure it with the 2 included pins.

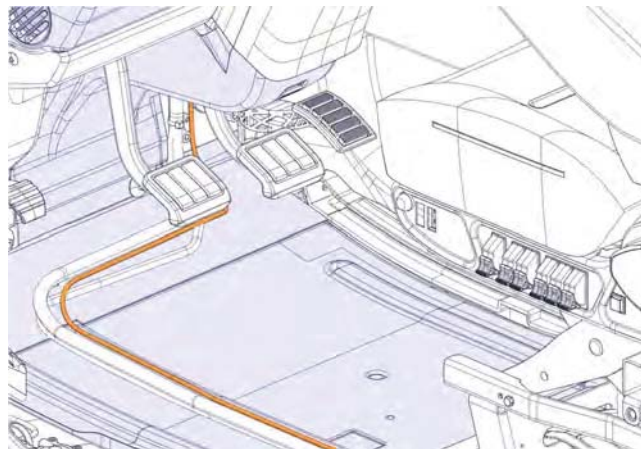


W8126968

27 Attach the seat belt anchor to the ICP cable fitting. Torque the attachment bolt to the specification below.

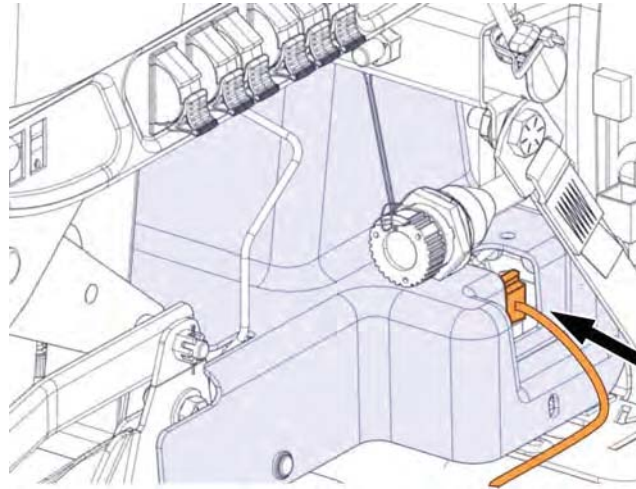
<b>Tightening Torque</b>	
Seat Belt ICP Bar Attachment Bolt	35 – 50 Nm

28 Route the new seat overlay harness along the floor following the existing harnesses.



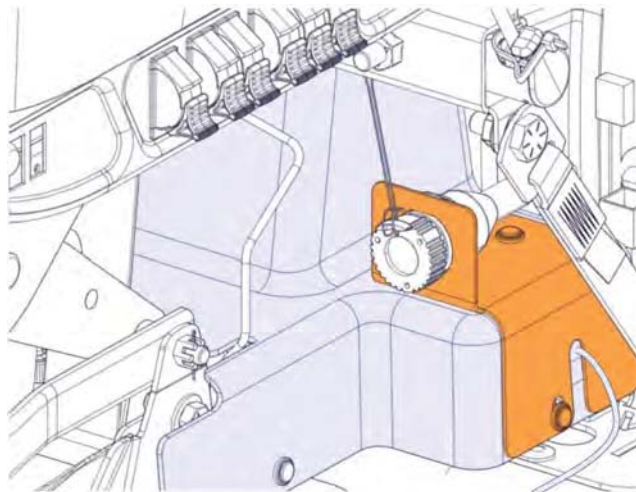
W3128158

29 Connect the overlay harness to the seat at the outboard side of the seat base. Connect the other end of the overlay harness to the original harness coiled and stored in the dash.



W3129178

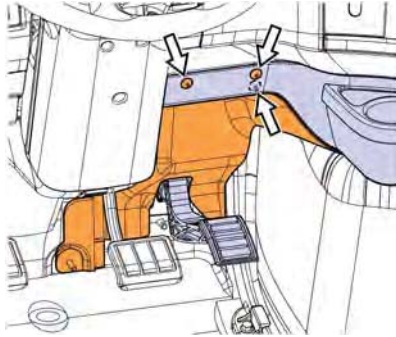
30 Install the small cover plate over the electrical connection and secure using the 3 included push rivets.



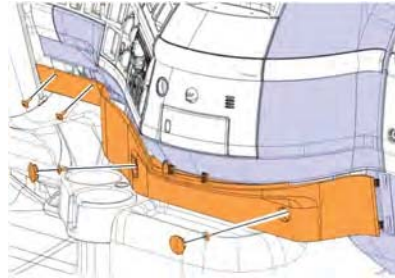
W3129179

31 Secure the overlay harness with cable ties as necessary.

32 Install the lower kick panel and cup holder panel.



W2083011



W8120733

33 Install the floor mats.

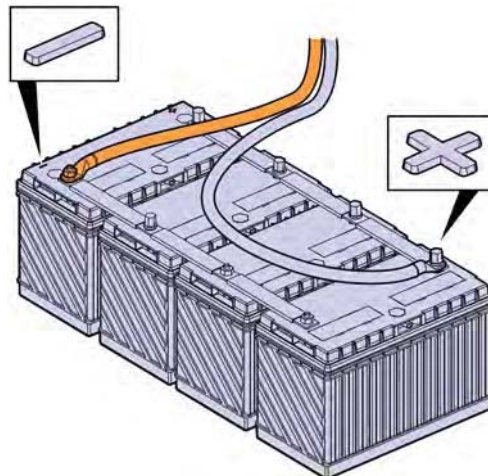
34 Connect the battery cable to the negative (ground) terminal.



**DANGER**

When reconnecting power to the vehicle, ensure that the cab is empty of people and tools.

Failure to properly clear the cab could result in serious personal injury or death.

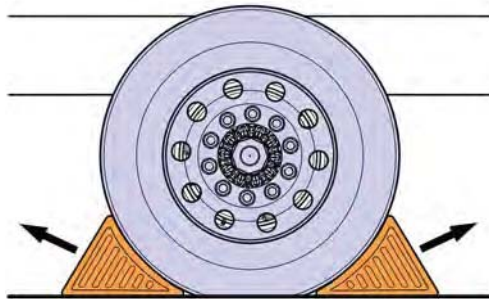


W3086758

- 35 Turn the vehicle ignition on.
- 36 Ensure that the airbag warning light illuminates and then turns off after 5 seconds.
- 37 If the light remains on or turns back on after turning off, use the IMMI diagnostic software to diagnose the problem before continuing.

## Commissioning the Truck for Operation

- 1 Remove the wheel chocks.



W7086759



### **DANGER**

Do not install any seat covers over the seat.  
Seat covers may cause improper airbag deployment.  
Failure to leave the airbag deployment pathway unobstructed could result in serious personal injury or death.

Volvo Trucks North America reserves the right to make any changes in design or to make additions to or upon its products without incurring any obligations to install the same on vehicles previously built.