

FLA COE
 FLB COE
 FLD Conventional
 Business Class
 FLC 112 Conventional

> Century Class Conventional
 > Argosy COE
 > Cargo
 > Columbia

> 122SD and Coronado
 > Business Class M2
 > Cascadia
 > 108SD/114SD

General Information

The clamp shown in [Fig. 1](#) is used to install a box step in most applications, such as battery boxes, frame-mounted brackets, DEF tanks, tool boxes, and mounts on cylindrical fuel tanks. This clamp should not be reused. Use a new step clamp when installing box steps.

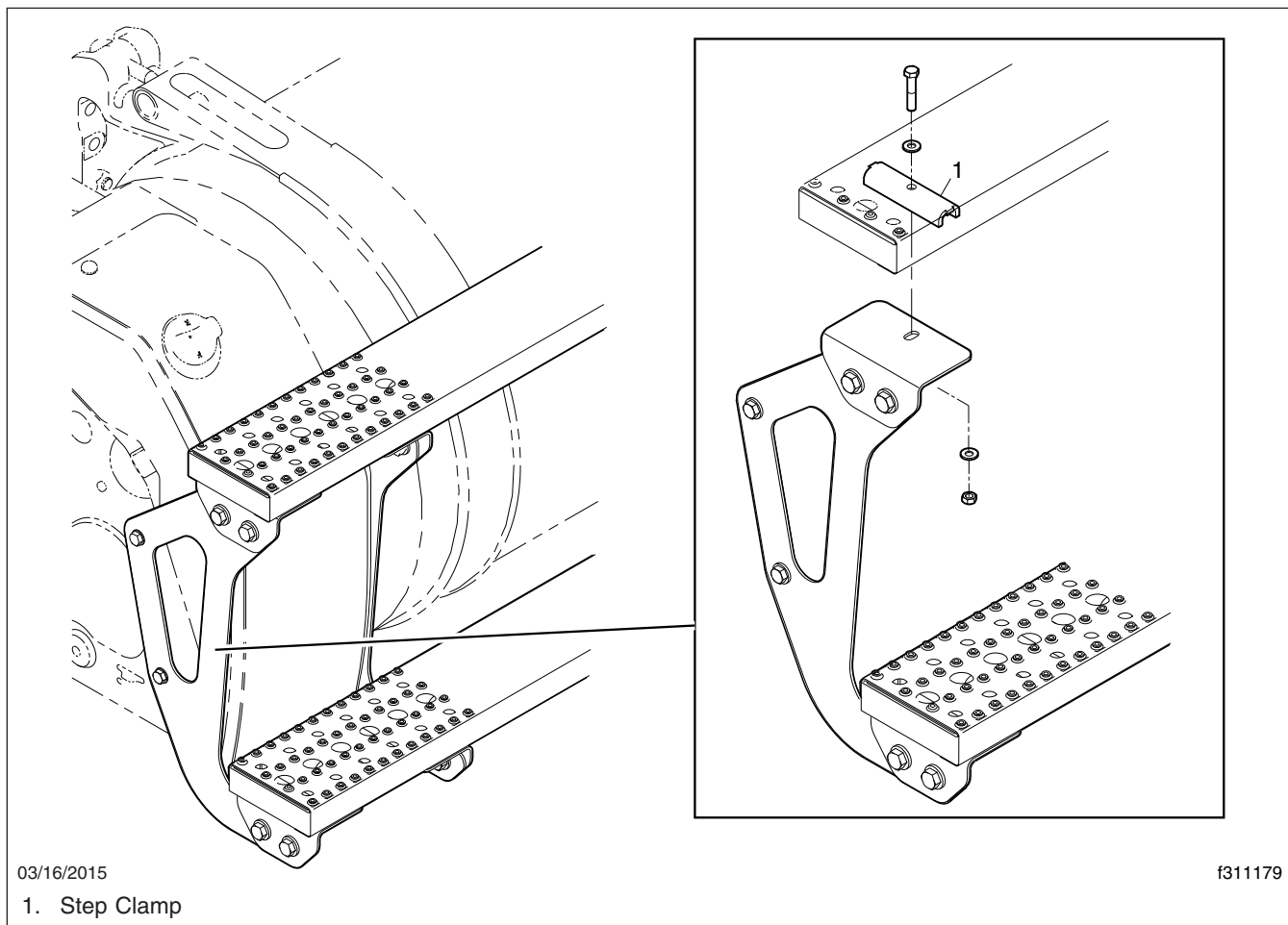


Fig. 1, Step Clamp, Typical Installation

Parts

Step clamps are available through the PDCs. See [Table 1](#).

Step Clamps		
Part #	Description	Quantity
22-42349-000	Step Clamp Without Reinforcement	1
22-42349-001	Step Clamp With Reinforcement	1

Table 1, Step Clamps

31-33

Step Clamps Are Not Reusable

Freightliner Service Bulletin

FLA COE
FLB COE
FLD Conventional
Business Class
FLC 112 Conventional

> Century Class Conventional
> Argosy COE
Cargo
> Columbia

> 122SD and Coronado
> Business Class M2
> Cascadia
> 108SD/114SD

Warranty

This is an informational bulletin only. Warranty does not apply.