

Rear Bumper Gap

Service Category Vehicle Exterior

Section Exterior Panels/Trim

Market USA

Toyota Supports
 ASE Certification 

Applicability

YEAR(S)	MODEL(S)	ADDITIONAL INFORMATION
2014 – 2017	Yaris	

REVISION NOTICE

March 2, 2017 Rev2:

- The applicability has been updated to include 2016 – 2017 model year Yaris vehicles.
- The entire bulletin has been updated.

February 15, 2016 Rev1:

- The Warranty Information section has been updated.

Any previous printed versions of this bulletin should be discarded.

Introduction

Some 2014 – 2017 model year Yaris vehicles may exhibit a condition where there is an excessive gap between the rear bumper and the body. This is due to a partial separation between the retainer and the bumper cover. Re-securing the rear bumper cover may not sufficiently prevent this gap from returning. The rear bumper retainers have been revised to provide additional retention force to the rear bumper cover.

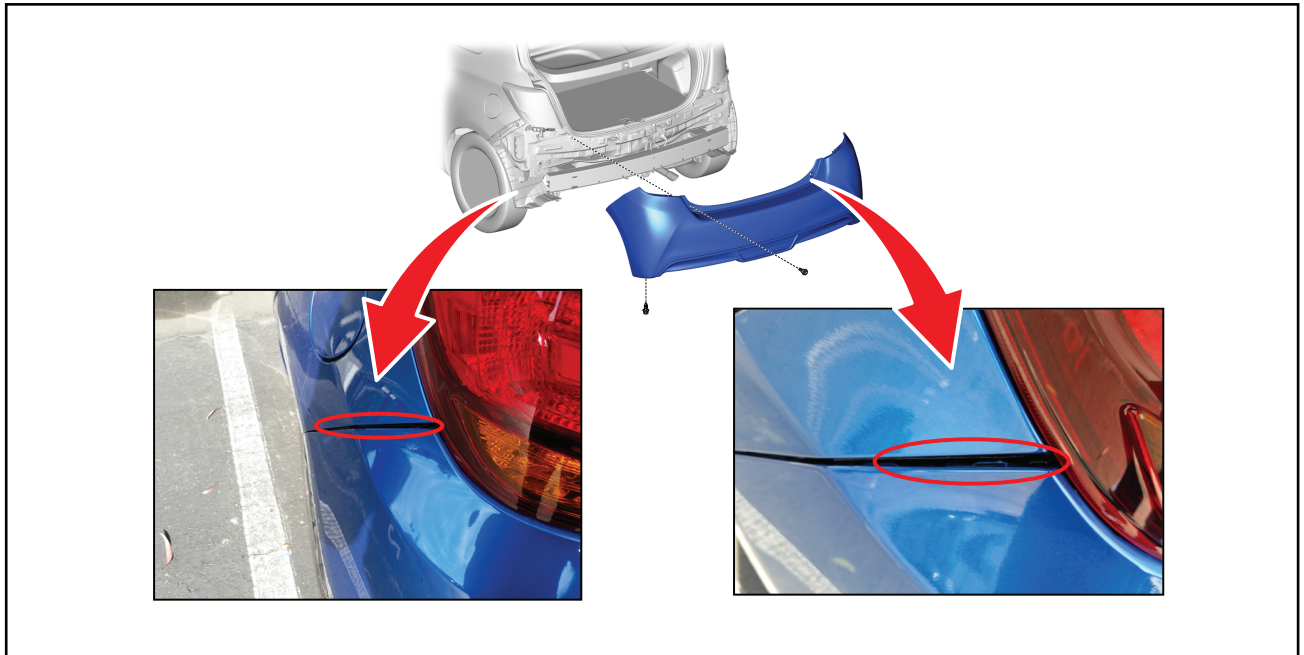
It is also recommended to replace the rear bumper cover during this process. Follow the Repair Procedure in this bulletin to address this condition.

NOTE

Some uniform gaps between the body and rear bumper cover are permissible and repairing uneven gaps as a result of collision damage is NOT a warrantable condition.

Rear Bumper Gap

Introduction (Continued)



Production Change Information

This bulletin applies to vehicles produced **BEFORE** the Production Change Effective VIN shown below.

MODEL	PLANT	PRODUCTION CHANGE EFFECTIVE VIN
Yaris (Hatchback)	TMMF	VNKKTUD3#HA074517

Warranty Information

OP CODE	DESCRIPTION	TIME	OFP	T1	T2
BD1619	R & R Rear Bumper Cover, Retainer, Rear Combination Light Gaskets, and Re-finish As Necessary	Sublet Repair Only	52575-0D270 52576-0D260	67	14

APPLICABLE WARRANTY

- This repair is covered under the Toyota Basic Warranty. This warranty is in effect for 36 months or 36,000 miles, whichever occurs first, from the vehicle's in-service date.
- Warranty application is limited to occurrence of the specified condition described in this bulletin.

Rear Bumper Gap

Parts Information

PART NUMBER		PART NAME	QTY
PREVIOUS	NEW		
52575-0D271	52575-0D272	Retainer, Rear Bumper Side, RH	1
52576-0D261	52576-0D262	Retainer, Rear Bumper Side, LH	1
52156-0D090	52156-0D091	Support, RR Bumper Side, LH	1
52155-0D100	52155-0D101	Support, RR Bumper Side, RH	1
52159-52966 52159-0U917		Cover, Rear Bumper	1
81554-0D600		Packing, Rear Combination Lamp Body*	2*
81554-52820		Packing, Rear Combination Lamp Body, RH*	*
81564-52760		Packing, Rear Combination Lamp Body, LH*	*

* Choose 1, either the combo (81554-0D600) OR Single LH & RH (81554-52820) AND (81564-52760).

Repair Procedure

1. Remove the rear bumper.

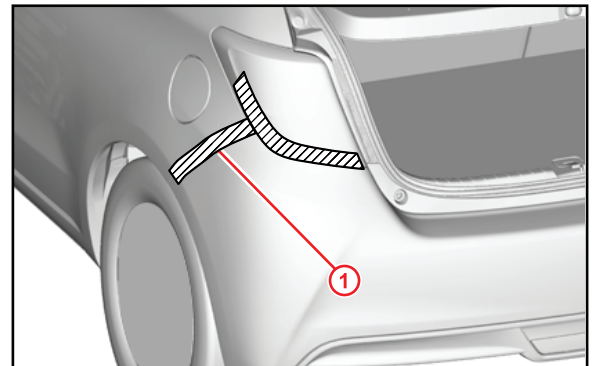
NOTICE

Apply protective tape as shown in the illustrations to prevent damage.

Refer to the Technical Information System (TIS), applicable model and model year Repair Manual:

- 2014 Yaris:
Vehicle Exterior – Exterior Panels/Trim
– “Exterior Panels/Trim: Rear Bumper (for Hatchback with Sport Package): [Removal](#)”
- 2014 Yaris:
Vehicle Exterior – Exterior Panels/Trim
– “Exterior Panels/Trim: Rear Bumper (for Hatchback without Sport Package): [Removal](#)”
- 2015 Yaris:
Vehicle Exterior – Exterior Panels/Trim
– “Exterior Panels/Trim: Rear Bumper (for Hatchback): [Removal](#)”
- 2016 Yaris:
Vehicle Exterior – Exterior Panels/Trim

Figure 1.



1	Protective Tape
----------	------------------------

Rear Bumper Gap

Repair Procedure (Continued)

– “Exterior Panels/Trim: Rear Bumper (for Hatchback): [Removal](#)”

- 2017 Yaris:
Vehicle Exterior – Exterior Panels/Trim
– “Exterior Panels/Trim: Rear Bumper (for Hatchback): [Removal](#)”

2. Remove the Rear Combination Lamp.

Refer to TIS, applicable model and model year Repair Manual:

- 2014 Yaris:
Vehicle Exterior – Exterior Panels/Trim – “Lighting (Ext): Rear Combination Light Assembly (for Hatchback): [Removal](#)”
- 2015 Yaris:
Vehicle Exterior – Exterior Panels/Trim – “Lighting (Ext): Rear Combination Light Assembly (for Hatchback): [Removal](#)”
- 2016 Yaris:
Vehicle Exterior – Exterior Panels/Trim – “Lighting (Ext): Rear Combination Light Assembly (for Hatchback): [Removal](#)”
- 2017 Yaris:
Vehicle Exterior – Exterior Panels/Trim – “Lighting (Ext): Rear Combination Light Assembly (for Hatchback): [Removal](#)”

NOTE

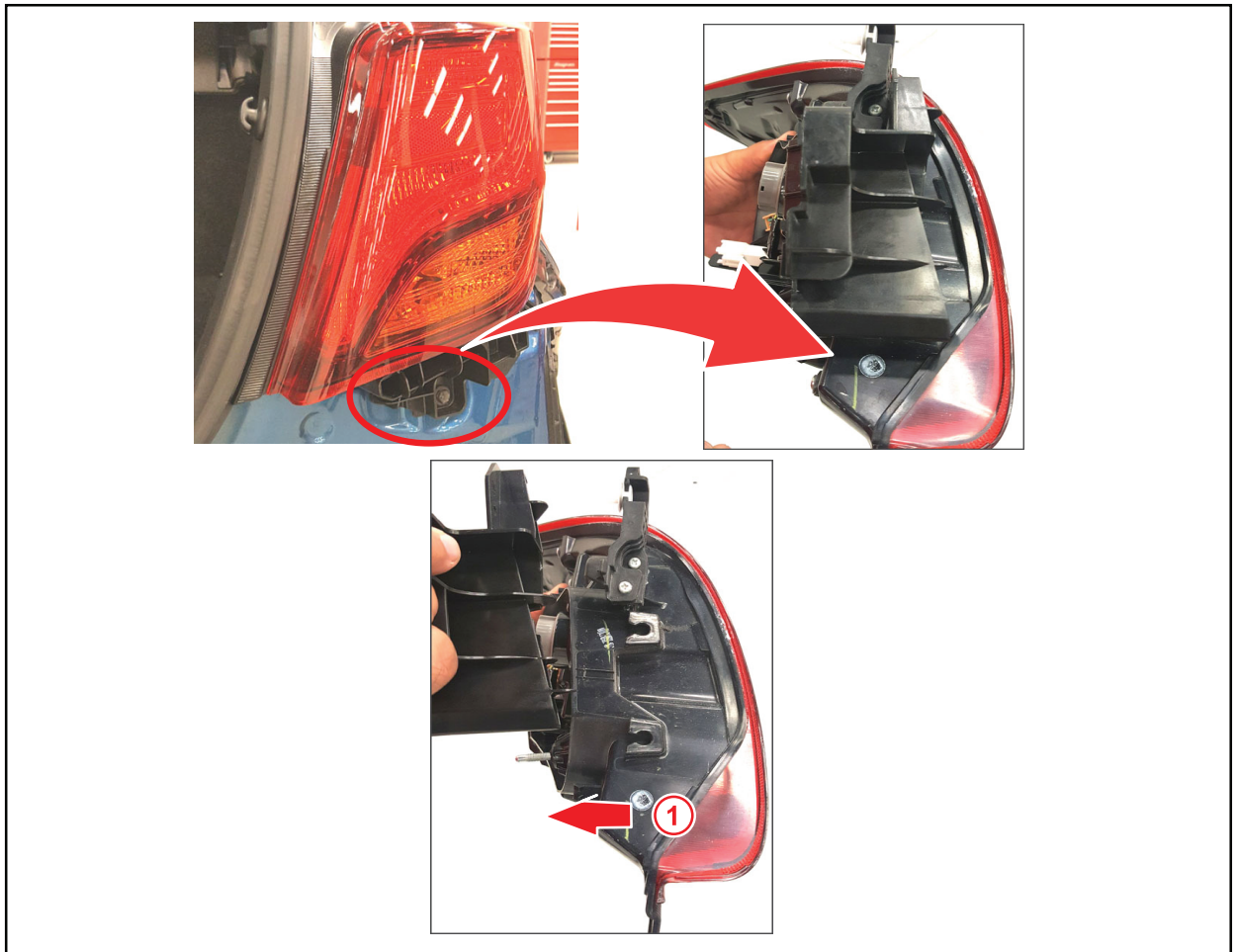
Discard rear combination lamp packing material.

Rear Bumper Gap

Repair Procedure (Continued)

3. Remove rear support attached to tail light.

Figure 2.



1	To Remove the Rear Support, Slide it Back
----------	--

Rear Bumper Gap

Repair Procedure (Continued)

4. Remove the rear bumper cover retainer by uninstalling the (1) 10 mm screw (see Figure 3) and disengaging the retainer from the body by prying against the body as shown (see Figure 4 and 5).

Figure 3.



Figure 4.



Figure 5.



Rear Bumper Gap

Repair Procedure (Continued)

5. Install the NEW retainers by engaging the retainers with the body.

HINT

- Install portions shown in Figure 6 prior to engaging retention clips.
- Avoid over tightening the retainer screw.

NOTE

Repeat for the opposite side.

Refer to TIS, applicable model and model year Repair Manual:

- 2014 Yaris:
Vehicle Exterior – Exterior Panels/Trim
– “Exterior Panels/Trim: Rear Bumper (for Hatchback with Sport Package): [Reassembly](#)”
- 2014 Yaris:
Vehicle Exterior – Exterior Panels/Trim
– “Exterior Panels/Trim: Rear Bumper (for Hatchback without Sport Package): [Reassembly](#)”
- 2015 Yaris:
Vehicle Exterior – Exterior Panels/Trim
– “Exterior Panels/Trim: Rear Bumper (for Hatchback): [Reassembly](#)”
- 2016 Yaris:
Vehicle Exterior – Exterior Panels/Trim
– “Exterior Panels/Trim: Rear Bumper (for Hatchback): [Reassembly](#)”
- 2017 Yaris:
Vehicle Exterior – Exterior Panels/Trim
– “Exterior Panels/Trim: Rear Bumper (for Hatchback): [Reassembly](#)”

6. Install the NEW rear bumper support onto the tail light.
7. Replace the new rear packing material.

Refer to TIS, applicable model and model year Repair Manual:

Figure 6.

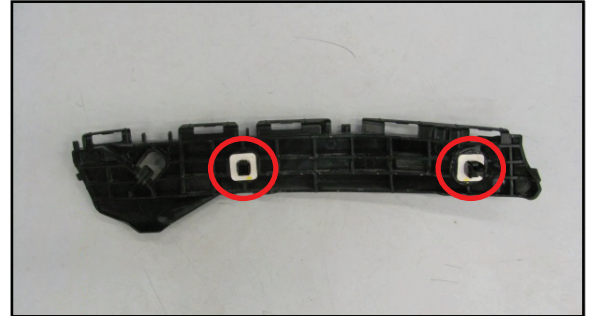


Figure 7.



Rear Bumper Gap

Repair Procedure (Continued)

- 2014 Yaris:
Vehicle Exterior – Lighting (Ext) – “Lighting (Ext): Rear Combination Light Assembly (for Hatchback): [Reassembly](#)”
 - 2015 Yaris:
Vehicle Exterior – Lighting (Ext) – “Lighting (Ext): Rear Combination Light Assembly (for Hatchback): [Reassembly](#)”
 - 2016 Yaris:
Vehicle Exterior – Lighting (Ext) – “Lighting (Ext): Rear Combination Light Assembly (for Hatchback): [Reassembly](#)”
 - 2017 Yaris:
Vehicle Exterior – Lighting (Ext) – “Lighting (Ext): Rear Combination Light Assembly (for Hatchback): [Reassembly](#)”
8. Reinstall the tail light into the vehicle.

Refer to TIS, applicable model and model year Repair Manual:

- 2014 Yaris:
Vehicle Exterior – Lighting (Ext) – “Lighting (Ext): Rear Combination Light Assembly (for Hatchback): [Installation](#)”
 - 2015 Yaris:
Vehicle Exterior – Lighting (Ext) – “Lighting (Ext): Rear Combination Light Assembly (for Hatchback): [Installation](#)”
 - 2016 Yaris:
Vehicle Exterior – Lighting (Ext) – “Lighting (Ext): Rear Combination Light Assembly (for Hatchback): [Installation](#)”
 - 2017 Yaris:
Vehicle Exterior – Lighting (Ext) – “Lighting (Ext): Rear Combination Light Assembly (for Hatchback): [Installation](#)”
9. Reinstall the rear bumper assembly.

Refer to TIS, applicable model and model year Repair Manual:

- 2014 Yaris:
Vehicle Exterior – Exterior Panels/Trim – “Exterior Panels/Trim: Rear Bumper (for hatchback with Sport Package): [Installation](#)”
- 2014 Yaris:
Vehicle Exterior – Exterior Panels/Trim – “Exterior Panels/Trim: Rear Bumper (for hatchback without Sport Package): [Installation](#)”
- 2015 Yaris:
Vehicle Exterior – Exterior Panels/Trim – “Exterior Panels/Trim: Rear Bumper (for hatchback): [Installation](#)”

Rear Bumper Gap

Repair Procedure (Continued)

- 2016 Yaris:
Vehicle Exterior – Exterior Panels/Trim – “Exterior Panels/Trim: Rear Bumper (for hatchback): [Installation](#)”
 - 2017 Yaris:
Vehicle Exterior – Exterior Panels/Trim – “Exterior Panels/Trim: Rear Bumper (for hatchback): [Installation](#)”
10. Confirm rear bumper gap is less than 1.6 mm and is consistent. **Figure 8.**

