

Whine Noise From Rear of Vehicle

Service Category Drivetrain

Section Axle/Differential

Market USA

Toyota Supports
 ASE Certification 

Applicability

YEAR(S)	MODEL(S)	ADDITIONAL INFORMATION
2016 - 2017	Tacoma	Body Type(s): D CAB

Introduction

Some 2016 – 2017 model year Tacoma Double Cab 4WD vehicles equipped with a BD22 rear differential may exhibit a whine type noise from the rear of the vehicle. This condition may occur while driving around 50 mph at constant speed, slight acceleration, or slight deceleration and may be caused by rear differential vibration transferring through the chassis and body. Follow the Repair Procedure in this bulletin to address this condition.

Warranty Information

OP CODE	DESCRIPTION	TIME	OPF	T1	T2
SU1701	Install Pad and Dynamic Damper	1.0	51229-04010		
SU1702	R & R Leaf Spring Assy	1.0	48210-04710 48220-04350 48210-04840 48220-04480	91	99

APPLICABLE WARRANTY

- This repair is covered under the Toyota Basic Warranty. This warranty is in effect for 36 months or 36,000 miles, whichever occurs first, from the vehicle's in-service date.
- Warranty application is limited to occurrence of the specified condition described in this bulletin.

Whine Noise From Rear of Vehicle

Parts Information

WHEELBASE	T/M	GRADE	PART NUMBER		PART NAME	QTY	
			PREVIOUS	NEW			
Long	MT	TRD Pro	48210-04810	48210-04850	Spring Assy, Rear RH	1	
			48220-04450	48220-04490	Spring Assy, Rear LH		
		All Except TRD Pro	48210-04710	48210-04600	Spring Assy, Rear RH	1	
			48220-04350	48220-04240	Spring Assy, Rear LH		
	AT	TRD Off-road, TRD Pro	48210-04840	48210-04870	Spring Assy, Rear RH	1	
			48220-04480	48220-04510	Spring Assy, Rear LH	1	
Long, Super Long	MT	All	-	51229-04010	Damper, Frame Dynamic	2	
	AT	TRD Off-road, TRD Pro					
	MT	All		62555-04070	Pad, Pillar, No.5	2	
	AT	TRD Off-road, TRD Pro					
	MT	All		52216-04040	52216-04020	Stopper, Cab Mounting Cushion	2
	AT	TRD Off-road, TRD Pro		52216-04020			

Repair Procedure

1. Confirm the condition exists.

Does the vehicle exhibit a whine type noise from the rear of the vehicle while driving around 50 mph constant speed, slight acceleration, or slight deceleration?

- **YES** — Continue to step 2.
- **NO** — This bulletin does NOT apply. Continue diagnosis using the applicable Repair Manual.

Whine Noise From Rear of Vehicle

Repair Procedure (continued)

2. Install the No. 5 pillar pad to the C pillar.
 - A. Fold down the seat and seat back for adequate space during the repair.

Figure 1.



- B. Remove the RH and LH luggage compartment side tray, rear door scuff plate, rear door weatherstrip, and the quarter trim lower panel.

Refer to TIS, applicable model and model year Repair Manual:

- [2016](#) / [2017](#) Tacoma:
Vehicle Interior – Interior Panels/Trim – “Interior: Roof Headlining (for Double Cab): Removal”

- C. Remove the rear seat outer belt assembly.

Refer to TIS, applicable model and model year Repair Manual:

- [2016](#) / [2017](#) Tacoma:
Vehicle Interior – Seat Belt – “Seat Belt: Rear Seat Outer Belt Assembly (for Double Cab): Removal”

Whine Noise From Rear of Vehicle

Repair Procedure (continued)

- D. Install the No. 5 pillar pad on the bottom of the C pillar to the RH and LH sides.

NOTE

Hold the belt with tape to prevent the belt from retracting.

Figure 2. Installation Area



Figure 3. No. 5 Pillar Pad Installed



- E. Reinstall ALL components.

Refer to TIS, applicable model and model year Repair Manual:

- [2016 / 2017](#) Tacoma:
Vehicle Interior – Interior Panels/Trim – “Interior Roof Headlining (for Double Cab): Installation”
- [2016 / 2017](#) Tacoma:
Vehicle Interior – Seat Belt – “Seat Belt: Rear Seat Outer Belt Assembly (for Double Cab): Installation”

- F. Torque the seat belt bolts.

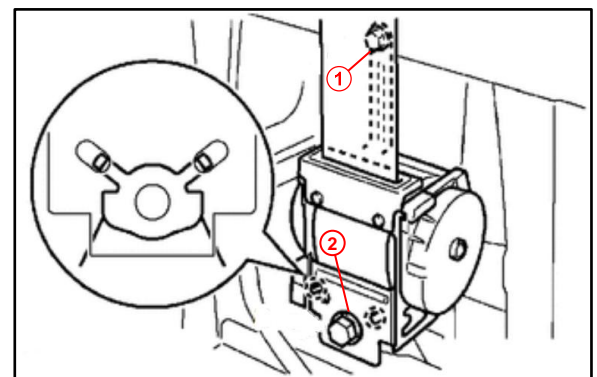
Bolt A

Torque: 12.5 N*m (127 kgf*cm, 9 ft*lbf)

Bolt B

Torque: 42 N*m (428 kgf*cm, 31 ft*lbf)

Figure 4.



1	Bolt A
2	Bolt B

Whine Noise From Rear of Vehicle

Repair Procedure (continued)

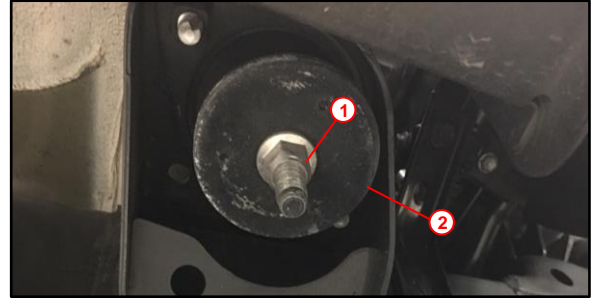
3. Install the frame dynamic damper.
 - A. Remove and discard the No. 3 nut cab mount (17 mm) and LH and RH cab mounting cushion stopper.

Figure 5.



1	No. 3 Cab Mount
----------	------------------------

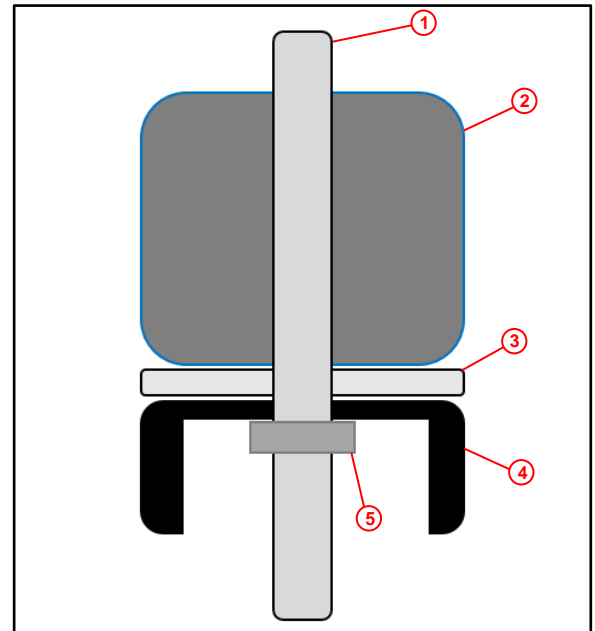
Figure 6.



1	No. 3 Nut Cab Mount
2	Cab Mounting Cushion Stopper

- B. Install the NEW cab mounting cushion stopper and the NEW frame dynamic damper to the RH and LH cab mount.
 - C. Retighten the cab mount nut.
Torque: 45 N*m (459 kgf*cm, 33 ft*lbf)

Figure 7.



1	Body Mounting Bolt
2	No. 3 Cushion Sub-assy Cab Mounting
3	Cab Mounting Cushion Stopper
4	Frame Dynamic Damper
5	Lock Nut

Whine Noise From Rear of Vehicle

Repair Procedure (continued)

4. Is the vehicle long wheelbase?
 - **YES** — Continue to substep 4A to replace the rear spring assembly.
 - **NO** — Rear spring assembly replacement is NOT required for super long wheelbase. Go to step 5.
- A. Remove the LH and RH rear spring assembly.

Refer to TIS, applicable model and model year Repair Manual:

 - [2016](#) / [2017](#) Tacoma:
Suspension – Rear Suspension – “Suspension: Rear Leaf Spring: Removal”
- B. Install the NEW LH and RH rear spring assembly.

Refer to TIS, applicable model and model year Repair Manual:

 - [2016](#) / [2017](#) Tacoma:
Suspension – Rear Suspension – “Suspension: Rear Leaf Spring: Installation”
5. Warm up and test drive the vehicle to confirm the condition is no longer present.