

# Abnormal Power Door Lock Operation (Cycle)

**Service Category** Vehicle Interior

**Section** Door Lock

**Market** USA

Toyota Supports  
 ASE Certification 

## Applicability

YEAR(S)	MODEL(S)	ADDITIONAL INFORMATION
2009 – 2011	Corolla, Matrix	WMI(s): 2T1

## Introduction

Some vehicles may exhibit a condition where the door locks cycle without any operator input of a door lock switch or keyless remote assembly. In limited cases this condition may be caused by grease contamination in the door lock switch. The following procedure is available to inspect and diagnose this condition. Replacement instructions for the door wire harness and door lock actuator are also provided in this bulletin.

## Production Change Information

This bulletin applies to:

- All 2009 – 2010 model year Corolla and Matrix vehicles.
- All 2011 model year Corolla, Matrix produced **BEFORE** the Production Change Effective VINs\* shown below.

MODEL	PRODUCTION CHANGE EFFECTIVE VIN
Corolla	2T1BU4EE#BC653555
Matrix	2T1KU4EE#BC653562

\* For detailed information on VINs, please reference the [2009 / 2010 / 2011 VIN Decoder Chart](#) found on the Technical Information System (TIS), under *Reference Information: Technician Group*.

## Required Tools & Equipment

SPECIAL SERVICE TOOLS (SST)	PART NUMBER	QTY
Plastic Pry Tool Set*	<a href="#">00002-06000-01</a>	1

\* Essential SST.

### NOTE

Additional SSTs may be ordered by calling 1-800-933-8335.

## Abnormal Power Door Lock Operation (Cycle)

---

### Parts Information

PART NUMBER	PART NAME	QTY
82151-02J90	RH Front Door Wire	1
82152-02J90	LH Front Door Wire	1
69030-06200	FR Door Motor RH w/Lock Assy	1
69040-06180	FR Door Motor LH w/Lock Assy	1
82152-02G90	Wire, Front Door, LH	1
82152-02J00	Wire, Front Door, LH	1
82152-02J20	Wire, Front Door, LH	1
82152-02J30	Wire, Front Door, LH	1
82151-02J10	Wire, Front Door, RH	1
82151-02J20	Wire, Front Door, RH	1
82151-02J40	Wire, Front Door, RH	1
82151-02J50	Wire, Front Door, RH	1
82152-02J50	Wire, Front Door, LH	1
82152-02J60	Wire, Front Door, LH	1
82152-02J70	Wire, Front Door, LH	1
82152-02K00	Wire, Front Door, LH	1
82152-02K10	Wire, Front Door, LH	1
82152-02K20	Wire, Front Door, LH	1
82152-02K40	Wire, Front Door, LH	1
82152-02K60	Wire, Front Door, LH	1
82152-02N00	Wire, Front Door, LH	1
82151-02J70	Wire, Front Door, RH	1
82151-02J80	Wire, Front Door, RH	1
82151-02K10	Wire, Front Door, RH	1
82151-02K20	Wire, Front Door, RH	1
82151-02K30	Wire, Front Door, RH	1
82151-02K40	Wire, Front Door, RH	1
82151-02L20	Wire, Front Door, RH	1
82151-02L50	Wire, Front Door, RH	1
82151-02N90	Wire, Front Door, RH	1

## Abnormal Power Door Lock Operation (Cycle)

### Warranty Information

OP CODE	DESCRIPTION	TIME	OFF	T1	T2
EL1221	Inspect Wire Harness (Both Sides)	0.8	69030-06200*		
Combo A	Wire Harness and Door Lock Replacement (One Side)	1.2	69040-06180*		
Combo B	Opposite Side	1.2	82151-02J90 82152-02J90 82152-02G90 82152-02J00 82152-02J20 82152-02J30 82151-02J10 82151-02J20 82151-02J40 82151-02J50 82152-02J50 82152-02J60 82152-02J70 82152-02K00 82152-02K10 82152-02K20 82152-02K40 82152-02K60 82152-02N00 82151-02J70 82151-02J80 82151-02K10 82151-02K20 82151-02K30 82151-02K40 82151-02L20 82151-02L50 82151-02N90	87	17

\* Represents door lock assemblies.

#### APPLICABLE WARRANTY

- This repair is covered under the Toyota Basic Warranty. This warranty is in effect for 36 months or 36,000 miles, whichever occurs first, from the vehicle's in-service date.
- Warranty application is limited to occurrence of the specified condition described in this bulletin.

## Abnormal Power Door Lock Operation (Cycle)

### Overview

The procedures listed will be used to inspect the specified connectors for grease contamination and will outline the replacement of the wire harnesses and door lock actuators if contamination is present.

### Inspection Procedure

**NOTE**

- **Inspect both the LH and RH side.**
- **The procedures listed are for inspecting the LH side.**
- **Use the same procedures to inspect the RH side.**

1. Verify the door locks cycle without any operator input from a door lock switch or keyless remote assembly.
  - If **YES** — proceed to step 2.
  - If **NO** — STOP! This bulletin does NOT apply.

Refer to the Technical Information System (TIS), applicable model and model year Repair Manual for further diagnosis.

- [2009 / 2010 / 2011](#) Corolla:

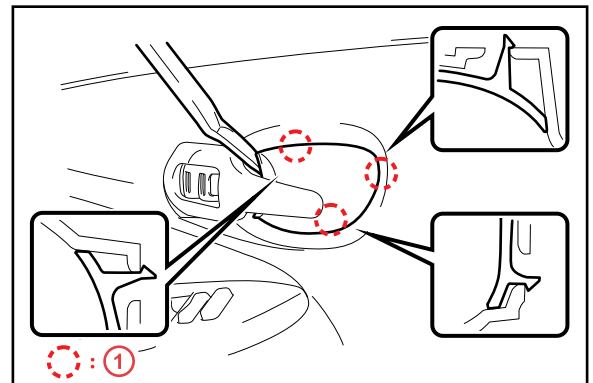
*Vehicle Interior – Door Lock – “Door Lock: Power Door Lock Control System: How To Proceed with Troubleshooting”*

- [2009 / 2010 / 2011](#) Matrix:

*Vehicle Interior – Door Lock – “Door Lock: Power Door Lock Control System: How To Proceed with Troubleshooting”*

2. Using a plastic pry tool, disengage the 3 claws and remove the driver door inside handle bezel.

**Figure 1.**



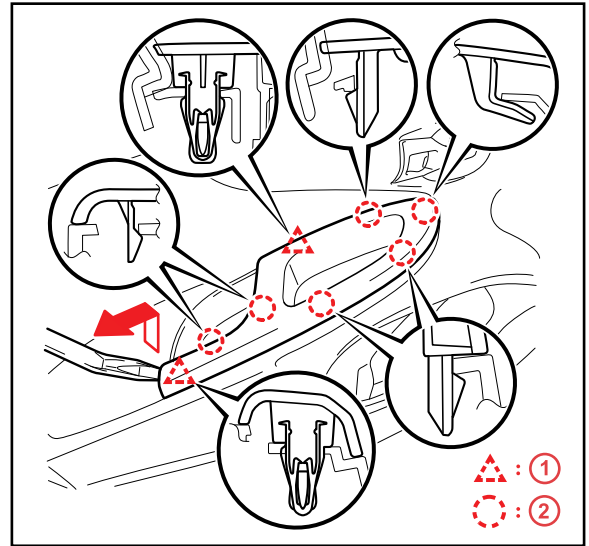
<b>1</b>	<b>Claw</b>
----------	-------------

## Abnormal Power Door Lock Operation (Cycle)

### Inspection Procedure (Continued)

3. Remove the front armrest upper base panel (w/o power window).
  - A. Using a plastic pry tool, disengage the 2 clips and 6 claws, and remove the front armrest upper base panel.
  - B. Disconnect the door lock switch connector.

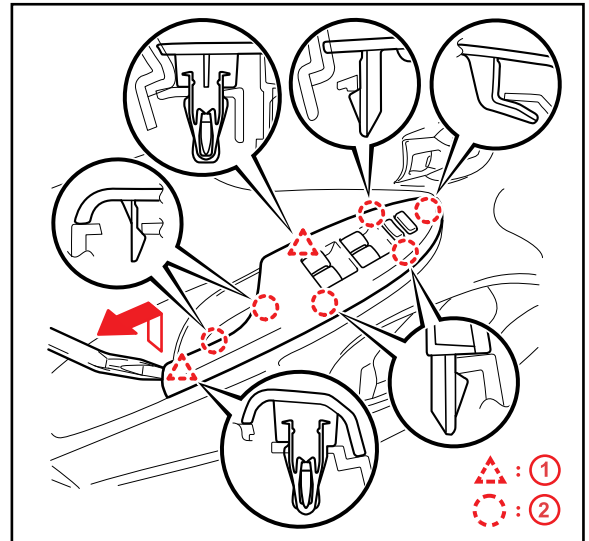
**Figure 2.**



<b>1</b>	<b>Clip</b>
<b>2</b>	<b>Claw</b>

4. Remove the front armrest upper base panel (w/ power window).
  - A. Using a plastic pry tool, disengage the 2 clips and 6 claws.
  - B. Disconnect the master switch connector and remove the front armrest upper base panel.

**Figure 3.**



<b>1</b>	<b>Clip</b>
<b>2</b>	<b>Claw</b>

## Abnormal Power Door Lock Operation (Cycle)

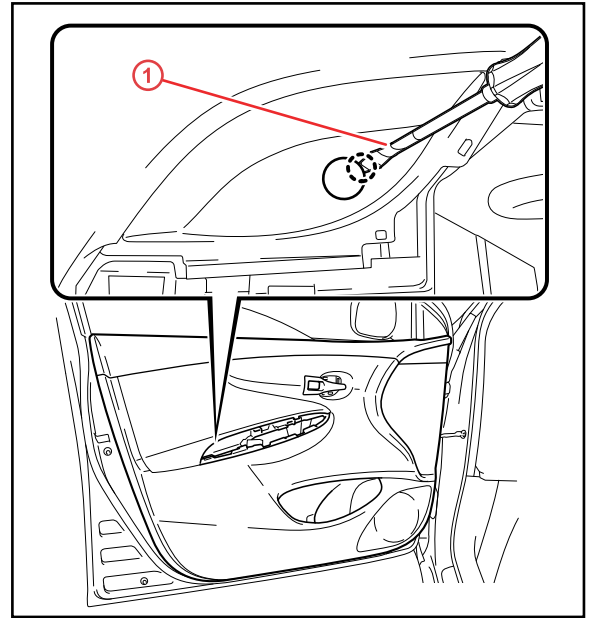
---

### Inspection Procedure (Continued)

5. Remove the front door trim board sub-assembly.

A. Using a screwdriver with its tip wrapped with protective tape, disengage the claw and disconnect the door armrest cap.

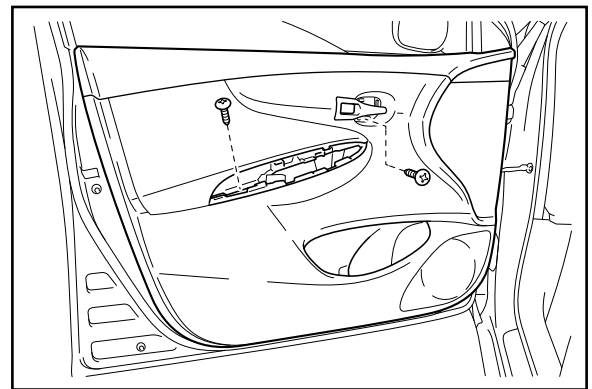
**Figure 4.**



<b>1</b>	<b>Protective Tape</b>
----------	------------------------

B. Remove the 2 screws.

**Figure 5.**

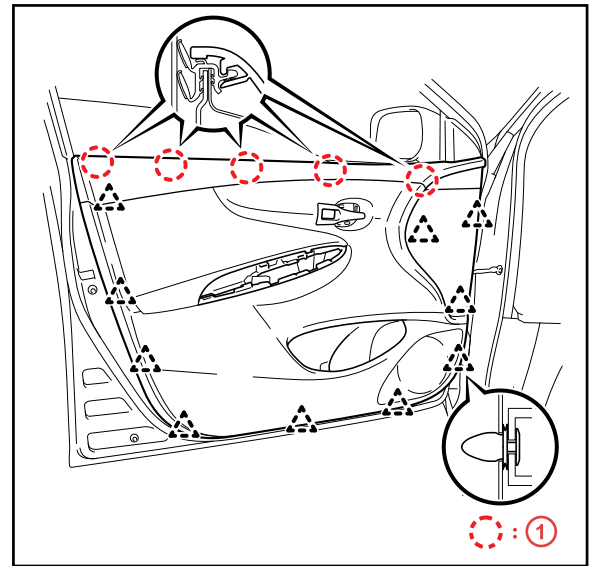


## Abnormal Power Door Lock Operation (Cycle)

### Inspection Procedure (Continued)

- C. Using a clip remover, disengage the 10 clips around the door panel.
- D. Disengage the 5 claws and separate the front door trim board sub-assembly from the front door inner glass weatherstrip.

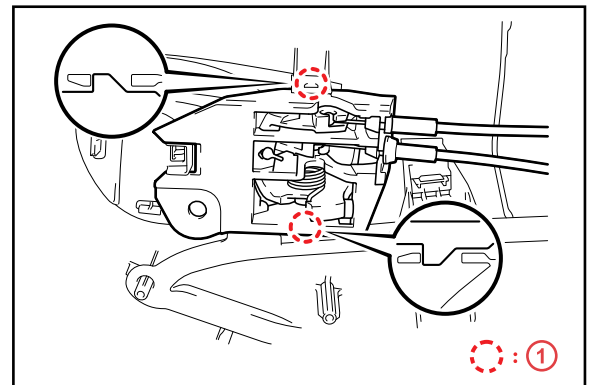
**Figure 6.**



1	Claw
---	------

- E. Disengage the 2 claws and disconnect the front door inside handle sub-assembly.

**Figure 7.**



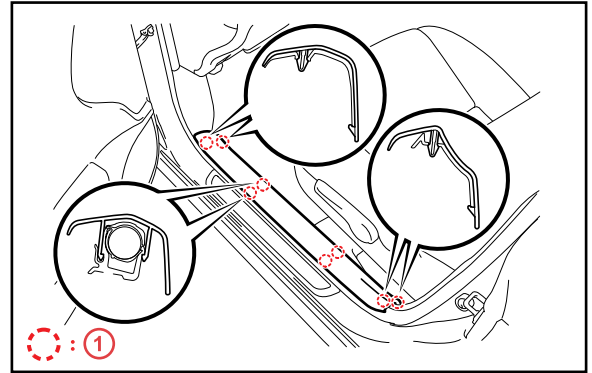
1	Claw
---	------

## Abnormal Power Door Lock Operation (Cycle)

### Inspection Procedure (Continued)

6. Disengage the 8 claws and remove the front door scuff plate LH.

**Figure 8.**

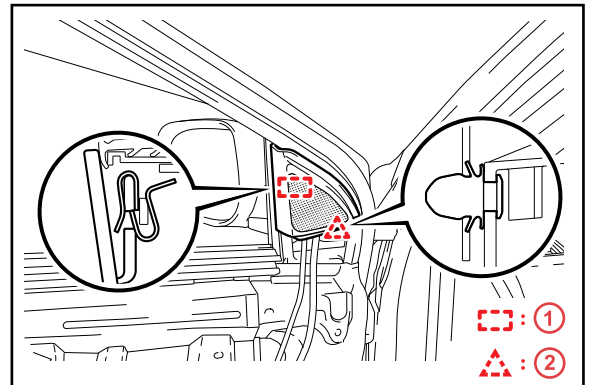


<b>1</b>	<b>Claw</b>
----------	-------------

### Door Wire Harness Inspection

1. Remove the front door lower frame bracket garnish (w/ front No. 2 speaker).
  - A. Disengage the clip and clamp.
  - B. Disconnect the speaker connector and remove the front door lower frame bracket garnish.

**Figure 9.**



<b>1</b>	<b>Clip</b>
<b>2</b>	<b>Clamp</b>



## Abnormal Power Door Lock Operation (Cycle)

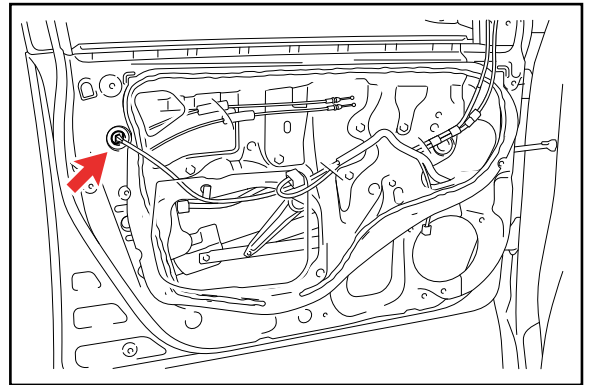
---

### Inspection Procedure

#### Door Wire Harness Inspection (Continued)

2. Remove the front door service hole cover.
  - A. Disconnect the door lock connector.

**Figure 10.**



- B. Remove the front door service hole cover (plastic sheet).

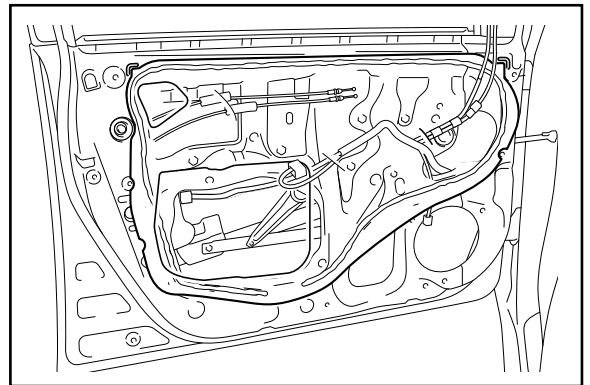
**NOTICE**

Remove plastic cover carefully to prevent tearing of plastic sheet.

**HINT**

Remove any remaining butyl tape from the door.

**Figure 11.**



- C. Unclip door wire harness mounting clips using a clip remover or blade screwdriver.

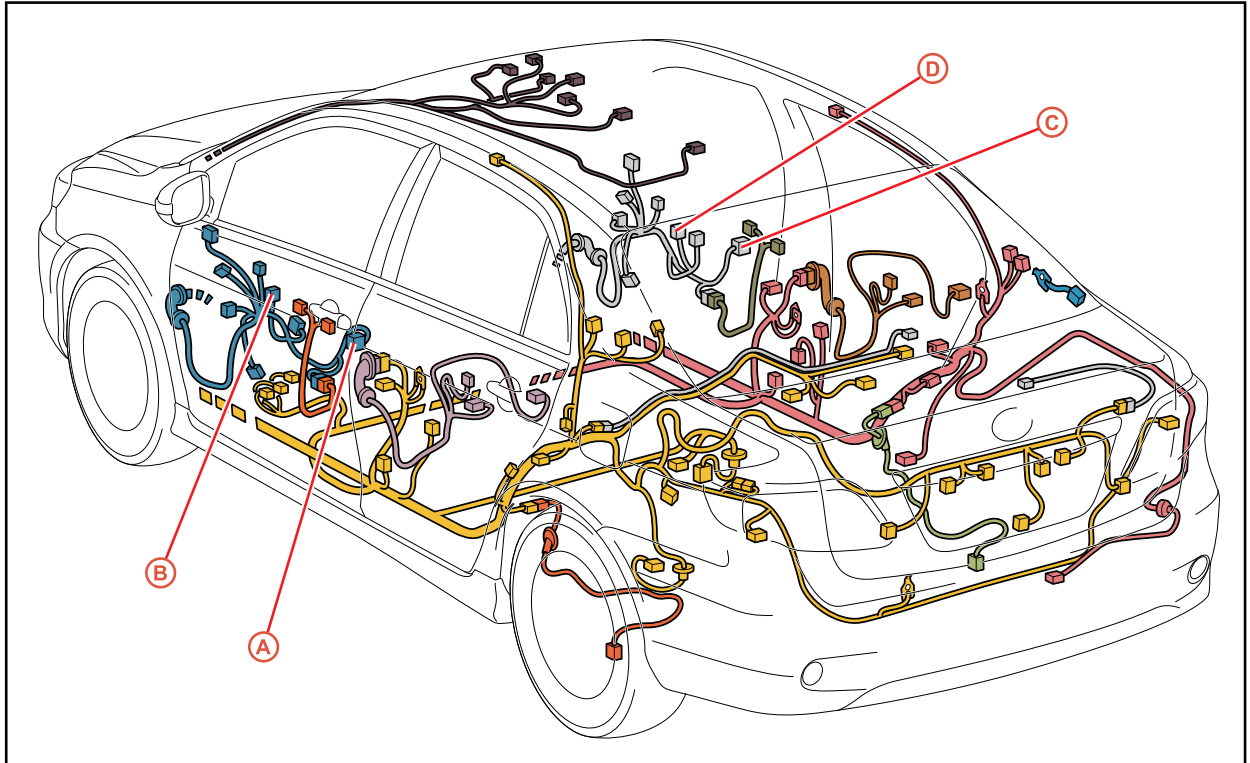
## Abnormal Power Door Lock Operation (Cycle)

### Inspection Procedure

#### Door Wire Harness Inspection (Continued)

3. Inspect the following connectors for contamination.

**Figure 12. Corolla ONLY**



<b>A</b>	I5 – Front Door Lock Assembly LH
<b>B</b>	I8 – Front Door Lock Control Switch Assembly LH

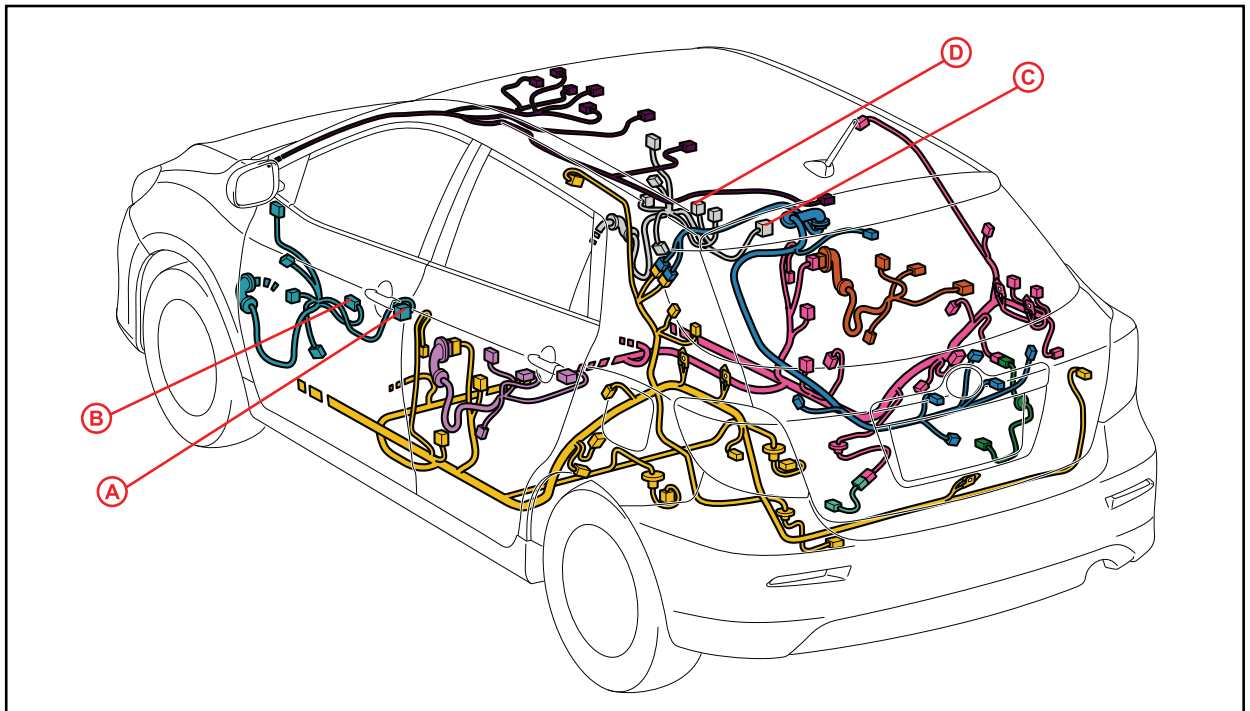
<b>C</b>	H6 – Front Door Lock Assembly RH
<b>D</b>	H9 – Front Door Lock Control Switch Assembly RH

## Abnormal Power Door Lock Operation (Cycle)

### Inspection Procedure

#### Door Wire Harness Inspection (Continued)

Figure 13. Matrix ONLY



<b>A</b>	I5 – Front Door Lock Assembly LH
<b>B</b>	I3 – Power Window Regulator Master Switch Assembly LH

<b>C</b>	H6 – Front Door Lock Assembly RH
<b>D</b>	H5 – Door Control Switch Assembly RH

A. If grease contamination is NOT found, STOP! This bulletin does NOT apply.

Refer to TIS, applicable model and model year Repair Manual for further diagnosis.

- [2009](#) / [2010](#) / [2011](#) Corolla:

*Vehicle Interior – Door Lock – “Door Lock: Power Door Lock Control System: How To Proceed with Troubleshooting”*

- [2009](#) / [2010](#) / [2011](#) Matrix:

*Vehicle Interior – Door Lock – “Door Lock: Power Door Lock Control System: How To Proceed with Troubleshooting”*

**NOTE**

Reassemble in reverse order of inspection.

## Abnormal Power Door Lock Operation (Cycle)

### Inspection Procedure

#### Door Wire Harness Inspection (Continued)

- B. If any of the above connectors are contaminated with grease, continue to Repair Procedure to replace the wire harnesses and door lock actuators on the affected side.

### Repair Procedure

#### Door Wire Harness Removal

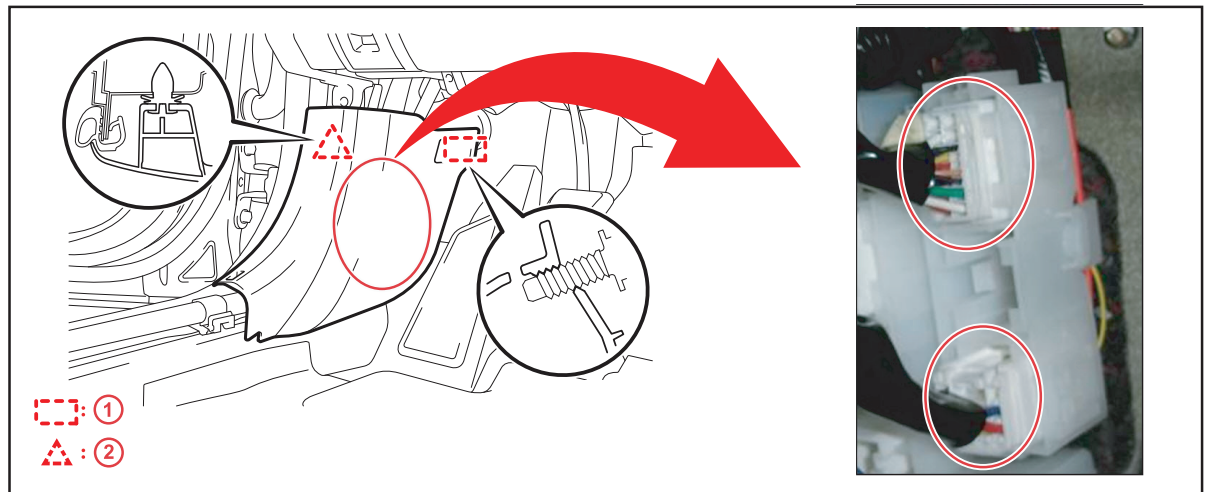
**HINT**

- The procedures listed are for repairing the LH side if grease contamination is found.
- Use the same procedures to repair the RH side if grease contamination is found in the specified connectors.

1. Remove the cowl side trim board LH.

- A. Disengage the clip and guide, and remove the cowl side trim board LH.

**Figure 14.**



<b>1</b>	<b>Guide</b>
----------	--------------

<b>2</b>	<b>Clip</b>
----------	-------------

- B. Disconnect harness connectors in kick panel.

## Abnormal Power Door Lock Operation (Cycle)

---

### Repair Procedure

#### Door Wire Harness Removal (Continued)

2. Loosen the rubber boot in door jamb (at bottom of A pillar and leading edge of door). **Figure 15.**



## Abnormal Power Door Lock Operation (Cycle)

---

### Repair Procedure

#### Door Wire Harness Removal (Continued)

3. Pull door harness into door from kick panel and door jamb to remove from the door.

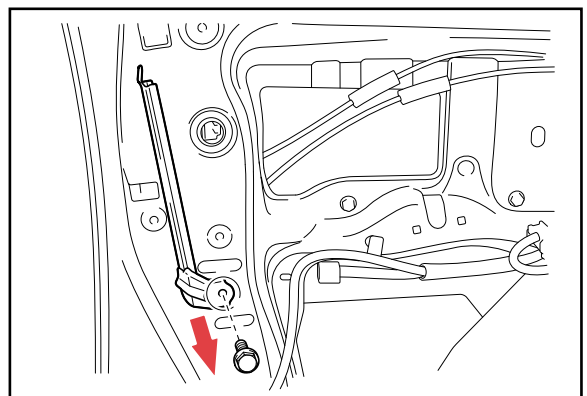
**Figure 16.**



#### Door Lock Assembly Removal

1. Remove the bolt and the front door rear lower frame sub-assembly.

**Figure 17.**



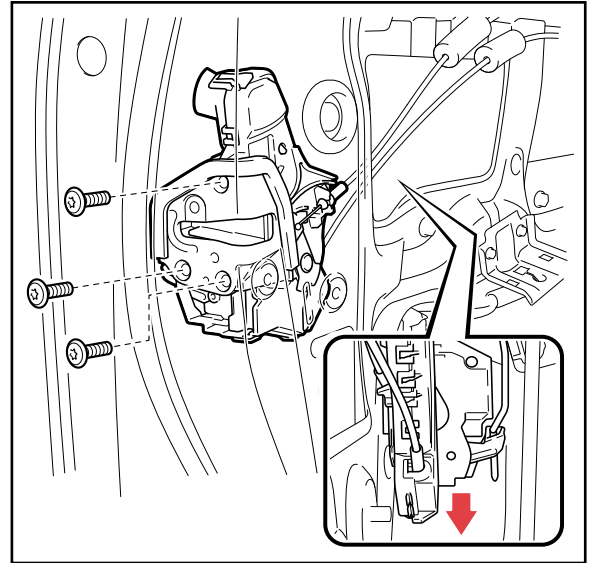
## Abnormal Power Door Lock Operation (Cycle)

### Repair Procedure

#### Door Lock Assembly Removal (Continued)

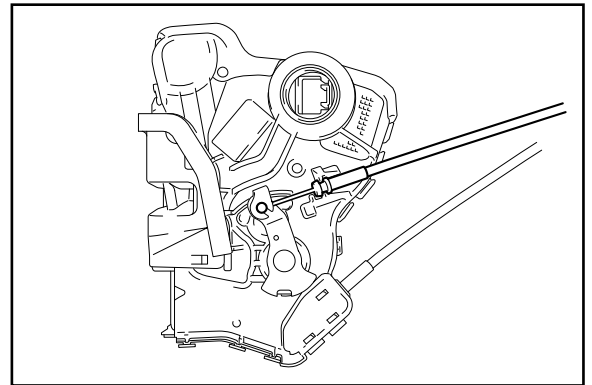
2. Remove the front door lock assembly.
  - A. Using a T30 Torx bit, remove the 3 screws.
  - B. Slide the front door lock assembly downward, and remove the front door lock assembly and cables as a unit.
  - C. Remove the door lock wiring harness seal from the front door lock assembly.

**Figure 18.**



3. Remove the front door lock remote control cable assembly.

**Figure 19.**



## Abnormal Power Door Lock Operation (Cycle)

---

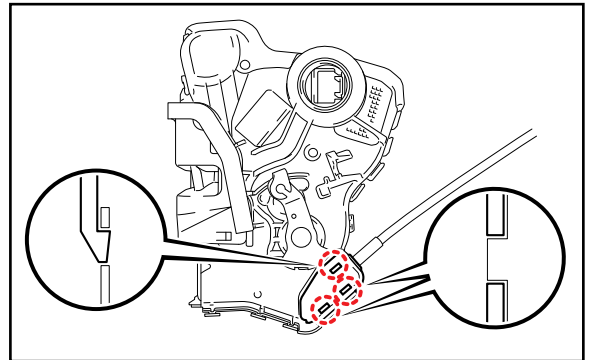
### Repair Procedure

#### Door Lock Assembly Removal (Continued)

4. Remove the front door inside locking cable assembly.
  - A. Using a screwdriver, disengage the 3 claws.

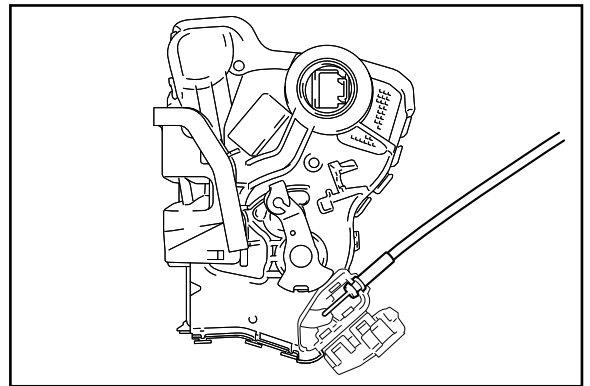
**HINT**  
Tape the screwdriver tip before use.

**Figure 20.**



- B. Remove the front door inside locking cable assembly.

**Figure 21.**





## Abnormal Power Door Lock Operation (Cycle)

---

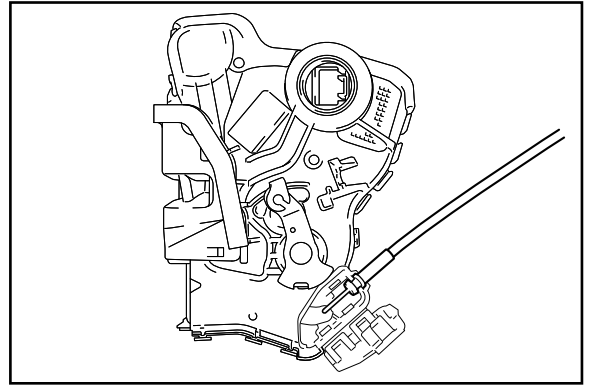
### Repair Procedure (Continued)

#### Door Lock Assembly Installation

1. Install the front door inside locking cable assembly.

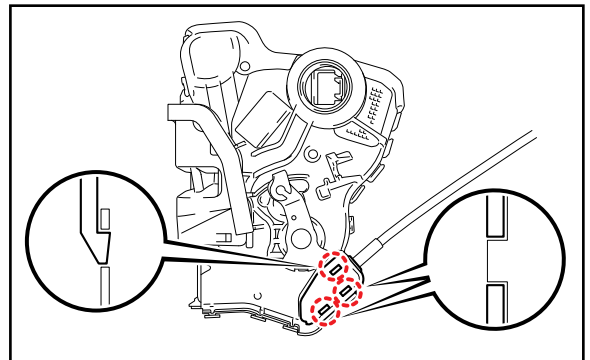
A. Install the front door inside locking cable assembly.

**Figure 22.**



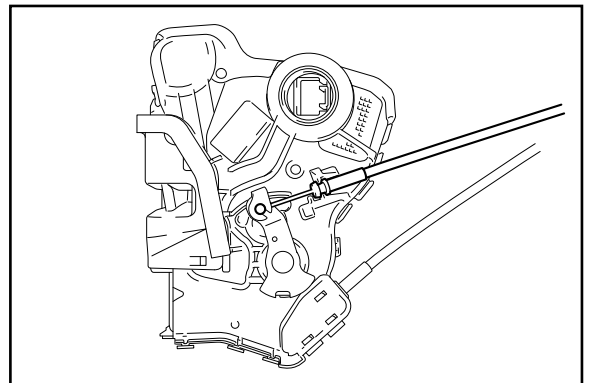
B. Engage the 3 claws.

**Figure 23.**



C. Install the front door lock remote control cable assembly.

**Figure 24.**



## Abnormal Power Door Lock Operation (Cycle)

### Repair Procedure

#### Door Lock Assembly Installation (Continued)

2. Install the front door lock assembly.

**NOTICE**

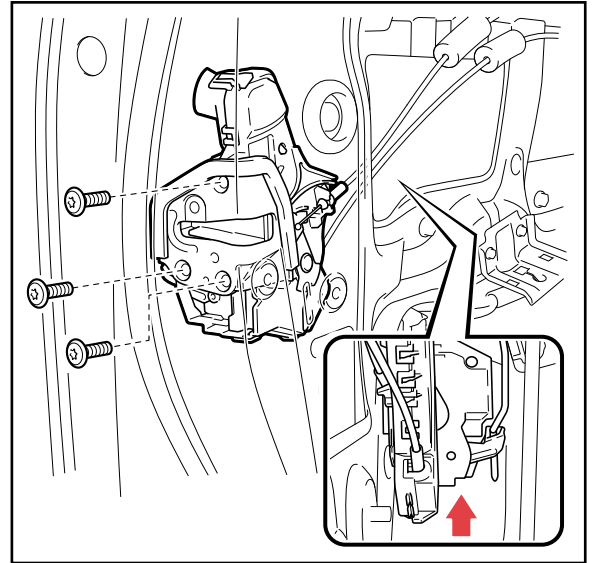
Reusing the door lock wiring harness seal or using a damaged door lock wiring harness seal may cause water intrusion. This may result in a malfunction of the front door lock assembly.

**NOTE**

- When reusing the removed front door lock assembly, replace the door lock wiring harness seal on the connector with a new one.
- Do NOT allow grease or dust to adhere to the door lock wiring harness seal surface of the connector.

- A. Apply MP grease to the sliding parts of the front door lock assembly.
- B. Install a NEW door lock wiring harness seal to the front door lock assembly.
- C. Insert the front door lock open rod to the front door lock assembly.
- D. Make sure that the front door lock open rod is securely connected to the front door lock assembly.
- E. Using a T30 Torx bit, install the 3 screws.  
**Torque: 5.0 N\*m (51 kgf\*cm, 44 in\*lb)**

Figure 25.



## Abnormal Power Door Lock Operation (Cycle)

---

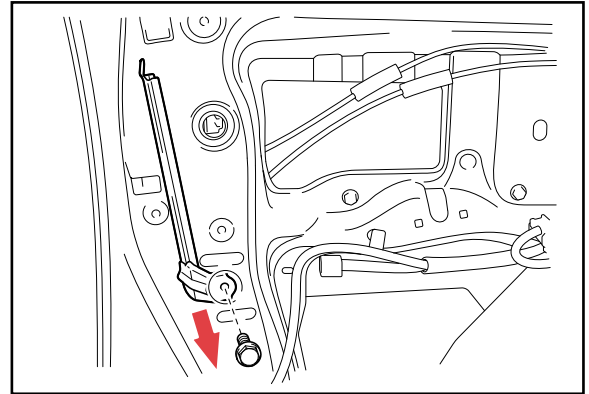
### Repair Procedure

#### Door Lock Assembly Installation (Continued)

3. Install the front door rear lower frame sub-assembly.

**Torque: 6.2 N\*m (63 kgf\*cm, 55 in\*lb)**

**Figure 26.**



#### Door Wire Harness Installation

1. Install the NEW door wire harness by pulling the leading edge connectors of the door harness from inside door, through the hole in front of the door, and into the hole to access the kick panel.

**Figure 27.**



**NOTICE**

**Be careful NOT to chafe wires on metal edges when pulling harness through the holes.**

## Abnormal Power Door Lock Operation (Cycle)

---

### Repair Procedure

#### Door Wire Harness Installation (Continued)

2. Secure the rubber boot on both sides of door jamb.

**NOTE**

Be sure both rubber boots are completely seated in the door jamb and base of the A pillar.

Figure 28.



### Vehicle Assembly Procedure

1. Complete assembly in reverse order of inspection procedure.
2. Confirm repair by ensuring that the locks do NOT cycle without any operator input from a door lock switch or keyless remote assembly.