

# Smart Key System Check During PDS

**Service Category** General

**Section** Pre-Delivery Service

**Market** USA

Scion Supports  
 ASE Certification 

## Applicability

YEAR(S)	MODEL(S)	ADDITIONAL INFORMATION
2013 – 2014	FR-S, tC	

### REVISION NOTICE

**May 9, 2013 Rev2:**

- Applicability has been updated to include 2014 model year FR-S and tC vehicles.

**April 23, 2013 Rev1:**

- Applicability has been updated to include 2013 model year FR-S vehicles.

Any previous printed versions of this bulletin should be discarded.

## Introduction

Some 2013 – 2014 model year vehicles are equipped with a Smart Key system, which allows the customer to enter and start the vehicle without using a mechanical key. To ensure the system is operating properly, the Smart Key functions (Smart Entry and Smart Start) should be inspected using the following procedure during Pre-Delivery Service (PDS).

### NOTE

Check ALL of the Smart Keys using this procedure.

## Warranty Information

OP CODE	DESCRIPTION	TIME	OFF	T1	T2
N/A	Not Applicable to Warranty	–	–	–	–

## Smart Key System Check During PDS

### Inspection Procedure

1. Remove ALL Smart Keys from the vehicle.

**NOTE**

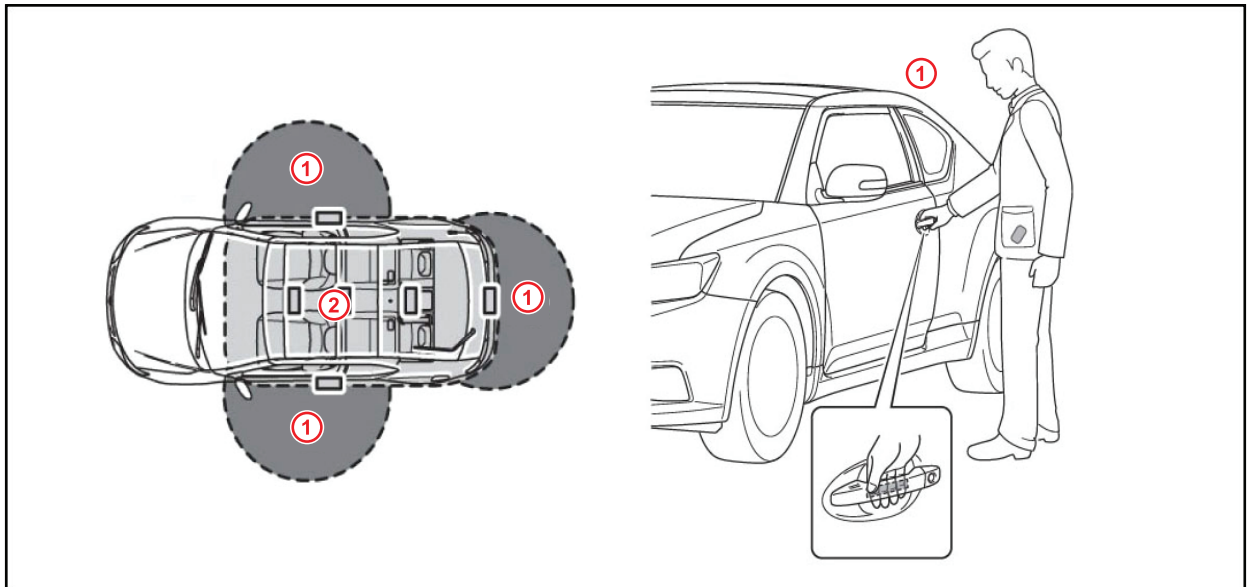
The remaining keys need to be a minimum of 3 feet (1 meter) away from the vehicle.

2. Check Smart Entry function at all the doors.

**NOTE**

Smart Key **MUST** be in actuation area No. 1 for this check (see Figure 1 below).

Figure 1.



<b>1</b>	<b>Actuation Area No. 1</b>
----------	-----------------------------

<b>2</b>	<b>Actuation Area No. 2</b>
----------	-----------------------------

### A. Locking function:

Push the lock button on the outside door handle. All the doors should lock simultaneously. At this time, one beep will be heard and the turn signal lights will flash once.

## Smart Key System Check During PDS

### Inspection Procedure (Continued)

#### B. Unlocking function:

**NOTE**

After checking the lock function, wait at **LEAST 3 seconds** before checking the unlock function.

Grasp the outside door handle (sensors are located on the underside of the door handles). At this time, two beeps will be heard and the turn signal lights will flash twice.

**NOTE**

Only the driver's door unlocks when the driver's door handle is grasped. All the doors unlock when any door handle other than the driver's door handle is grasped.

#### 3. Check the Wireless Door Lock function.

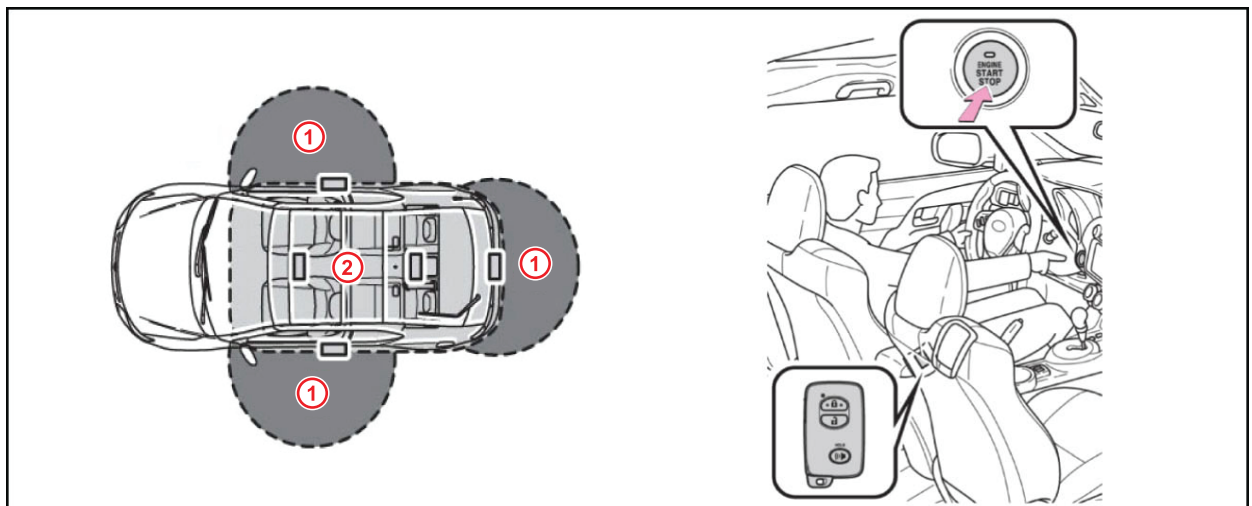
Using the remote outside of the vehicle, confirm that all doors can be locked and unlocked using the wireless remote.

#### 4. Check Smart Start function from inside the vehicle.

**NOTE**

Smart Key **MUST** be in actuation area No. 2 for this check (see Figure 2).

Figure 2.



**1** Actuation Area No. 1

**2** Actuation Area No. 2

#### A. Check for proper activation of the "ENGINE START/STOP" switch.

- (1) Make sure the gear selector lever is in the "P" position.

## Smart Key System Check During PDS

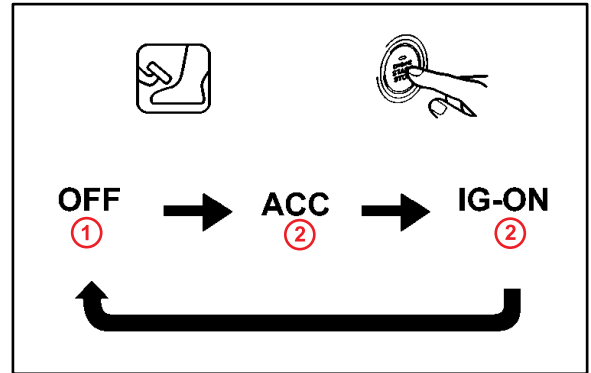
### Inspection Procedure (Continued)

- (2) Without depressing the brake pedal, press the “ENGINE START/STOP” switch and confirm the mode changes properly. From the “OFF” mode:
- Press once. The power supply mode is in the “ACC” mode.
  - Press twice. The power supply mode is in the “IG-ON” mode.
  - Press three times. The power supply mode is in the “OFF” mode.

**NOTE**

If the “ENGINE START/STOP” switch illuminator blinks in amber, refer to the Repair Manual.

Figure 3. Engine Start/Stop Switch



1	Light Off
2	Light On

B. Check the engine start/stop function.

- (1) Make sure that the gear selector lever is in the “P” position.
- (2) When depressing the brake pedal, check that the green engine switch illuminator comes on, and push the “ENGINE START/STOP” switch to start the engine.
- (3) Push the switch again to stop the engine.

**NOTE**

When the “ENGINE START/STOP” switch is turned OFF with the gear selector lever in a position other than “P,” the vehicle electrical system will be in the “ACC” mode. When the door is opened the Smart Key System Warning Buzzer will sound indicating that the electrical system is not “OFF” when exiting the vehicle. This may result in a discharged battery. Be sure to turn OFF the engine AFTER shifting the gear selector lever to the “P” position.

**Checking Procedure:**

- Shift the gear selector lever to the “P” position (or check that the gear selector lever is in the “P” position).
- Press the Engine Start/Stop switch once and check that the indicator light goes OFF.

5. Repeat steps 2 – 4 with each Smart Key.