

# Abnormal Chirp or Squeak Noise From High Pressure Fuel Pump

**Service Category** Engine/Hybrid System

**Section** Fuel System

**Market** USA

Scion Supports  
ASE Certification 

## Applicability

YEAR(S)	MODEL(S)	ADDITIONAL INFORMATION
2013 - 2016	FR-S	

## Introduction

Some 2013 – 2016 model year FR-S vehicles may exhibit a high pitch chirp or squeak noise from the high pressure Fuel Pump Assembly when the engine is fully warmed-up and idling. Follow the procedure in this bulletin to address this condition.

## Production Change Information

This bulletin applies to vehicles produced **BEFORE** the Production Change Effective VINs shown below.

MODEL	PLANT	PRODUCTION CHANGE EFFECTIVE VIN
FR-S	GUNMA	JF1ZNA###G#709167

## Warranty Information

OP CODE	DESCRIPTION	TIME	OFFP	T1	T2
EG1630	R & R High Pressure Fuel Pump Assembly	2.5	SU003-00328	91	57

### APPLICABLE WARRANTY

- This repair is covered under the Toyota Powertrain Warranty. This warranty is in effect for 60 months or 60,000 miles, whichever occurs first, from the vehicle's in-service date.
- Warranty application is limited to occurrence of the specified condition described in this bulletin.



## Abnormal Chirp or Squeak Noise From High Pressure Fuel Pump

### Parts Information

PART NUMBER		PART NAME	QTY
PREVIOUS	NEW		
SU003-00328 SU003-05176 SU003-06089	SU003-07326	Pump Assembly, Fuel	1
SU003-00342		Pipe, Fuel Delivery, No. 2	1
SU003-00347		Gasket	1
SU003-00290		Gasket, Intake Manifold to Head, No. 1	2
SU003-00316		Gasket, Throttle Body	1

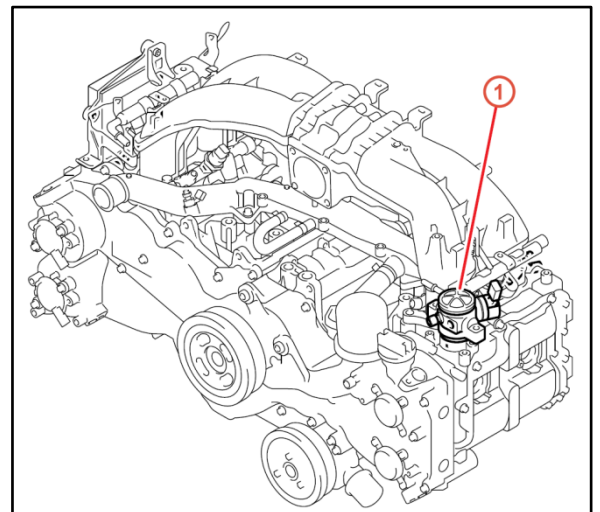
### Repair Procedure

1. Road test the vehicle for at least 10 minutes so that the engine is fully warmed-up.
2. While the engine is idling, listen for abnormal noise from the high pressure Fuel Pump Assembly.

#### NOTE

- A mechanical ticking noise from the high pressure Fuel Pump Assembly is normal during direct injection system operation.
- This bulletin should **ONLY** be performed if an abnormal high pitch chirp or squeak noise from the high pressure Fuel Pump is verified.

**Figure 1.**



1

Fuel Pump Assembly (for High Pressure)



## Abnormal Chirp or Squeak Noise From High Pressure Fuel Pump

---

### Repair Procedure (Continued)

3. Verify that the condition matches the example video below.

[Chirp Noise Example](#)

Does the vehicle have an abnormal chirp or squeak sound from the high pressure Fuel Pump Assembly?

- **YES** — Continue to step 4.
  - **NO** — This bulletin does NOT apply. Continue diagnosis using the applicable Repair Manual.
4. Replace the high pressure Fuel Pump Assembly.  
Refer to the to the Technical Information System (TIS), applicable model and model year Repair Manual:
    - 2013 FR-S:  
*Engine/Hybrid System – Fuel System – “FA20 Fuel: Fuel Pump (for High Pressure): [Removal / Installation](#)”*
    - 2014 FR-S:  
*Engine/Hybrid System – Fuel System – “FA20 Fuel: Fuel Pump (for High Pressure): [Removal / Installation](#)”*
    - 2015 FR-S:  
*Engine/Hybrid System – Fuel System – “FA20 Fuel: Fuel Pump (for High Pressure): [Removal / Installation](#)”*
    - 2016 FR-S:  
*Engine/Hybrid System – Fuel System – “FA20 Fuel: Fuel Pump (for High Pressure): [Removal / Installation](#)”*
  5. Confirm repair.