

Sunvisor - Removal & Installation Procedures

Service Category Vehicle Interior

Section Interior Panels/Trim

Market USA

Toyota Supports
 ASE Certification 

Applicability

YEAR(S)	MODEL(S)	ADDITIONAL INFORMATION
2007 – 2011	Camry, Camry HV	
2009 – 2013	Corolla, Matrix	
2012 – 2013	RAV4 EV	
2006 – 2012	RAV4	
2007 – 2011	Yaris	

REVISION NOTICE

December 06, 2012 Rev2:

- The **Applicability** section has been updated to include 2012 – 2013 model year vehicles.
- The **Repair procedure** section has been updated.

December 20, 2010 Rev1:

- **Applicability** has been updated to include 2010 – 2011 model year vehicles.
- **VDS information** has been removed — this bulletin applies to **ALL** models and model years listed.

Any previous printed versions of this service bulletin should be discarded.

Introduction

A revised procedure has been developed to ensure proper removal and installation of the sunvisor. Please use the following procedure for removal and installation of the sunvisor.

Warranty Information

OP CODE	DESCRIPTION	TIME	OFFP	T1	T2
N/A	Not Applicable to Warranty	-	-	-	-

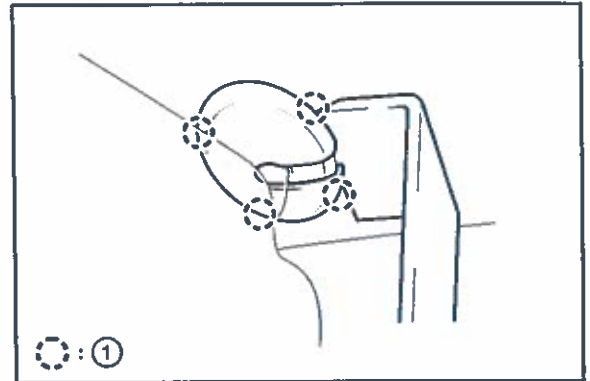
Sunvisor - Removal & Installation Procedures

Repair Procedure

Removal

1. Disengage the 4 claws from the sunvisor plastic bracket cover.

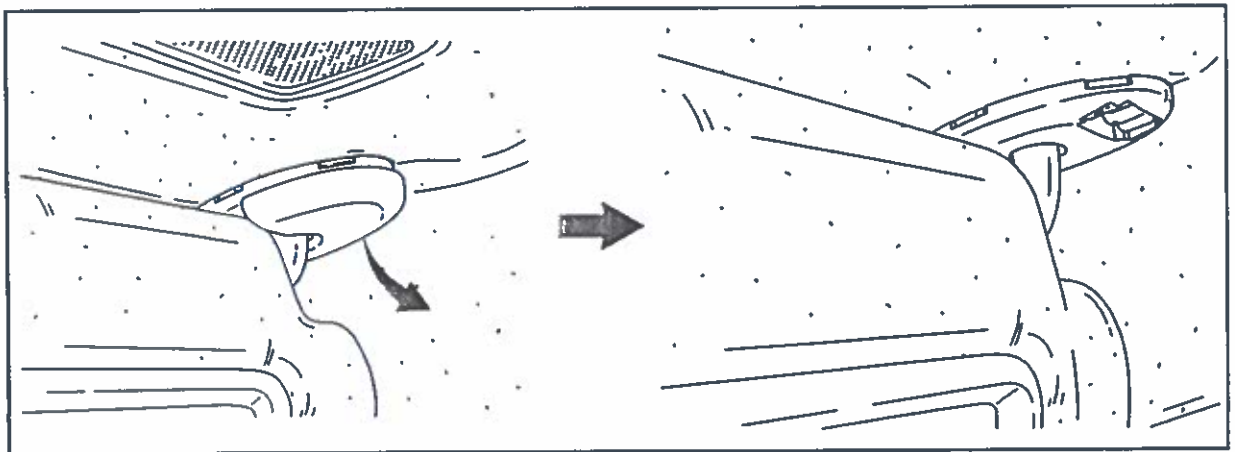
Figure 1.



1	Claw
---	------

2. Remove the plastic bracket cover and set aside for later installation.

Figure 2.



Sunvisor - Removal & Installation Procedures

Repair Procedure

Removal (Continued)

- Carefully pull straight down on the sunvisor sub-assembly and remove it from the opening in the metal roof panel.

NOTE

If the attaching clips remain in the metal roof panel, pinch the clip tabs together and rotate away from the connector as shown in Figure 3 (if equipped with a vanity light), then remove the clips and reinstall the clips back into the sunvisor bracket from the direction shown in Figure 4.

Figure 3.

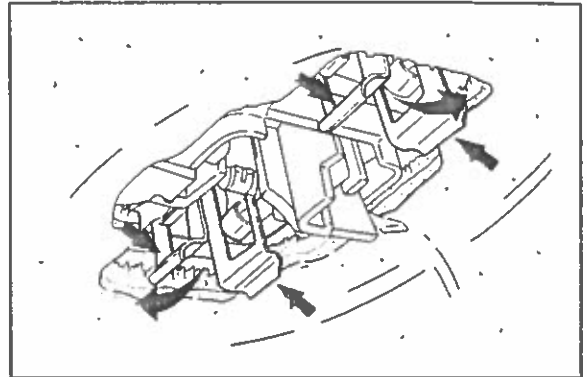
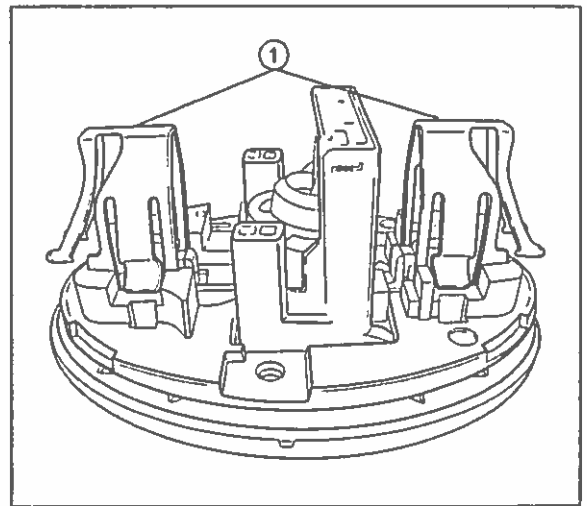


Figure 4.



1	Insert Clips from This Direction
---	----------------------------------

Sunvisor - Removal & Installation Procedures

Repair Procedure (Continued)

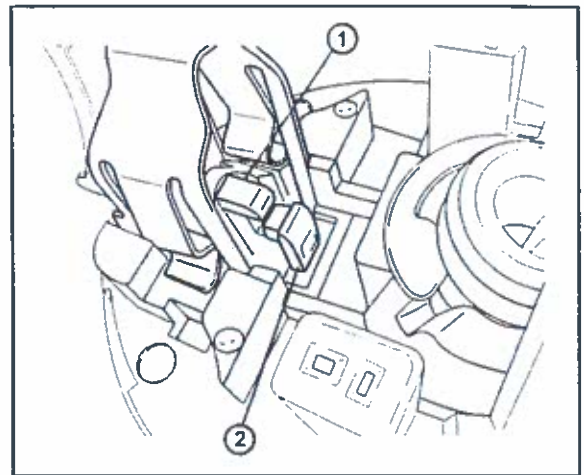
Installation

1. Partially install the bracket cover into the sunvisor bracket making sure both temporary set claws are engaged.

NOTICE

Make sure to **ONLY** partially install the bracket cover into the bracket during installation, because damage to the clip, sunvisor mount, or roof sheet metal tabs may occur if the bracket cover is fully installed or seated into the sunvisor bracket.

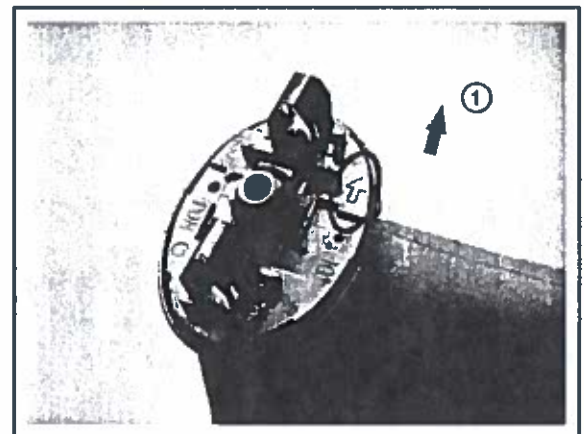
Figure 5.



1	Bracket Cover
2	Temporary Set Claw

2. Position the sunvisor bracket so that the orientation arrow on the sunvisor bracket is pointing toward the front of the vehicle.

Figure 6.



1	Front of Vehicle
---	------------------

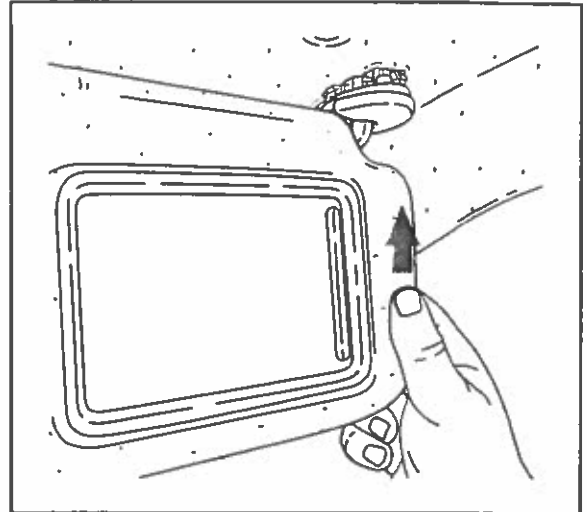
Sunvisor - Removal & Installation Procedures

Repair Procedure

Installation (Continued)

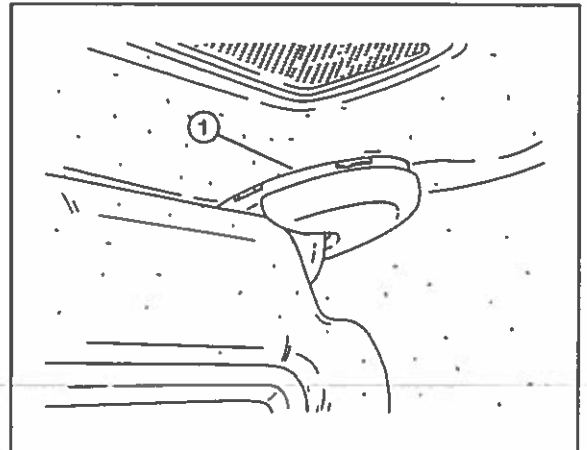
3. Install the sunvisor assembly into the opening in the sheet metal roof panel by grasping the sunvisor assembly and pushing the bracket upward.

Figure 7.



4. Make sure the sunvisor bracket is flush with the headliner all the way around the perimeter of the bracket.

Figure 8.



NOTE

If bracket is **NOT** flush with the headliner, the bracket is not seated fully. Remove the sunvisor assembly and reattempt to install the sunvisor assembly, as shown in step 3.

1	No Space
---	----------

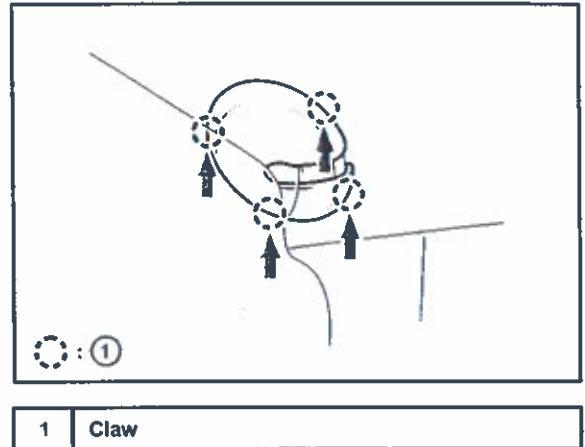
Sunvisor - Removal & Installation Procedures

Repair Procedure

Installation (Continued)

5. Push the bracket cover upward to engage all 4 claws at the same time.

Figure 9.



6. Confirm the proper operation of the sunvisor and the operation of the vanity light.